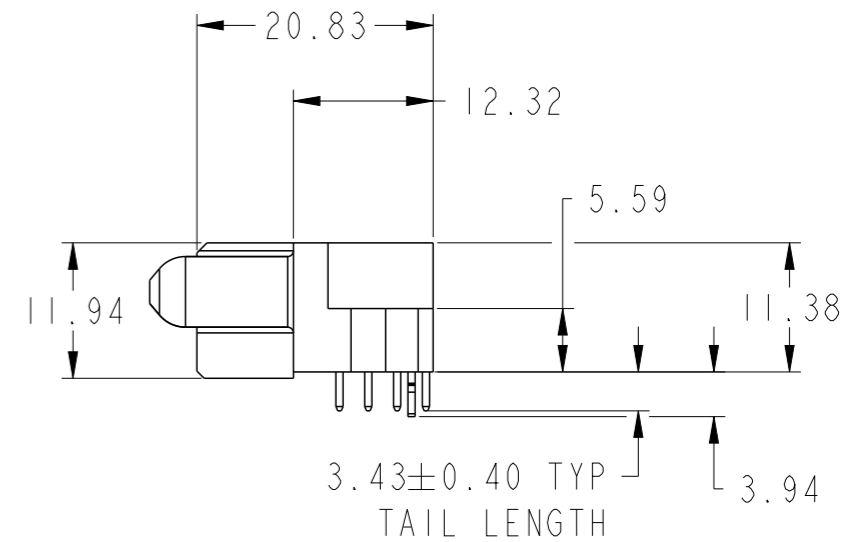
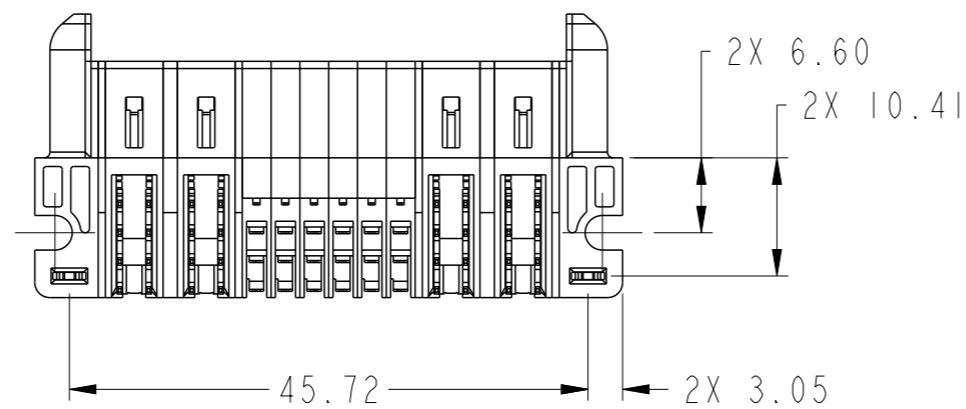
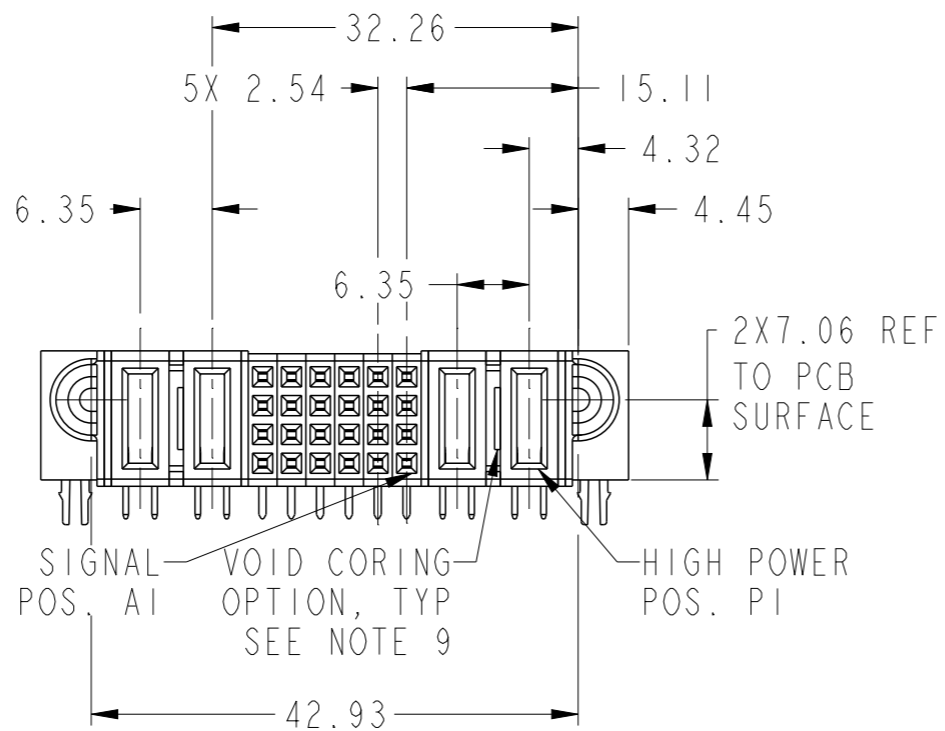
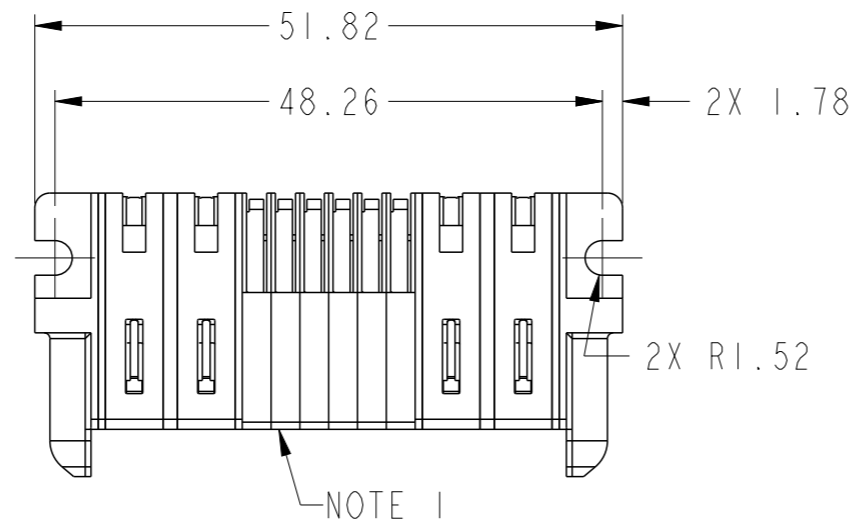


PRODUCT NUMBER SEE SHEET 2



SIGNAL POS. AI VOID CORING OPTION, TYP SEE NOTE 9 HIGH POWER POS. PI

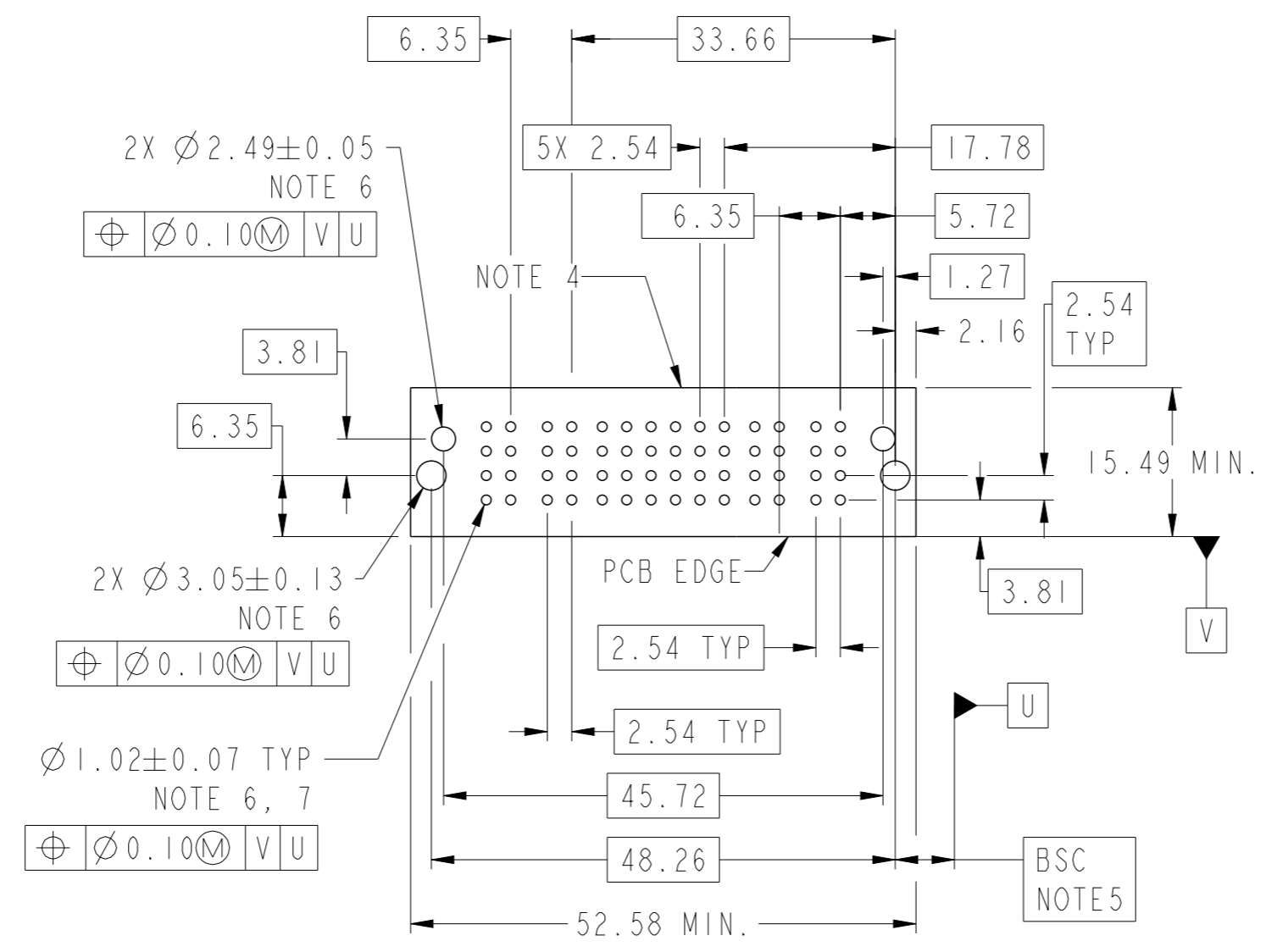
spec ref	*	dr	Peng-Bing Fu	2012/10/11	projection	MM	size	A3	scale	3:2
tolerance std	ASME Y14.5	eng	Peng-Bing Fu	2013/03/13			ecn no	-	rel level	Released
TOLERANCES UNLESS OTHERWISE SPECIFIED		chr	-	-						
surface	linear	appr	Pei-Ming Zheng	2013/03/13	product family	PwrBlade+	rel level	Released		
ASME Y14.5	angular	0°	±0.5	±0.25	±0.10	±2°	www.fci.com	cat. no.	2HP + 24S + 2HP	RA STB RECEPTACLE
									Product - Customer Drw	sheet 1 of 3



Copyright FCI.

PRODUCT NO. 10106126-4006002LF	ROWS DCBA	HP		SIGNAL						HP		E1	E2
		P4	P3	6	5	4	3	2	1	P2	P1		

CODE	DESCRIPTION
E	STD SIGNAL CONTACT, ROW A
F	STD SIGNAL CONTACT, ROW B
G	STD SIGNAL CONTACT, ROW C
H	STD SIGNAL CONTACT, ROW D
H3	STD HIGH POWER CONTACT(3.43)
HA	METAL HOLD DOWN



Copyright FCI.

dr	Peng-Bing Fu	2012/10/11	projection	MM	size	A3	scale	3:2
eng	Peng-Bing Fu	2013/03/13			ecn no			
chr	-	-			-			
appr	Pei-Ming Zheng	2013/03/13	product family	PwrBlade+	rel level		Released	
			2HP + 24S + 2HP		dwg no		10106126-4006002	
www.fci.com			RA STB RECEPTACLE		rev		A	
cat. no.			Product - Customer Drw			sheet 2 of 3		

NOTES:

- 1) "FCI", PART NUMBER AND DATE CODE TO BE MARKED ON THIS SURFACE.  
THE MARK CAN BE OMITTED IF THERE IS NOT ENOUGH SPACE ON THIS SURFACE.
- 2) MATERIALS:  
-HOUSING - GLASS FILLED WITH HIGH TEMP THERMOPLASTIC, UL94V-0.  
-SIGNAL CONTACT - COPPER ALLOY.  
-POWER CONTACT - HIGH CONDUCTIVITY COPPER ALLOY.
- 3) PLATING SPECIFICATION REFER TO FCI 10116351
- 4) DENOTES CONNECTOR KEEP OUT ZONE.
- 5) DATUM AND BASIC DIMENIONS WERE ESTABLISHED BY CUSTOMER.
- 6) ALL HOLE DIAMETERS ARE FINISHED HOLE SIZES.
- 7)  $1.15 \pm 0.025$ MM DRILLED HOLE PLATED WITH 0.00762MM MIN Sn  
OVER 0.0254-0.0762MM Cu PLATING TO ACHIEVE A  $1.02 \pm 0.07$ MM HOLE.
- 8) PRODUCT SPECIFICATION REFER TO FCI GS-12-658.  
APPLICATION SPECIFICATION REFER TO FCI GS-20-141.  
PRODUCT PACKAGED IN TRAYS, REFER TO FCI GS-14-1502.
- 9) THE VOID CORING IN BETWEEN POWER MODULES, SIGNAL  
MODULES AND END MODULES ARE OPTIONAL AND THE SHAPE  
MAY BE DIFFERENT FOR OPTIMIZE THE MOLDING PROCESS. THE  
VOID CORING WILL NOT EFFECT TO PRODUCT FUNCTION.

dr	Peng-Bing Fu	2012/10/11	projection 	MM ←————→	size	A3	scale	3:2
eng	Peng-Bing Fu	2013/03/13			ecn no	-		
chr	-	-	product family	PwrBlade+	rel level	Released		
appr	Pei-Ming Zheng	2013/03/13			title 2HP + 24S +2HP RA STB RECEPTACLE	dwg no 10106126-4006002	rev A	www.fci.com
cat. no.			Product - Customer Drw			sheet 3 of 3		



Copyright FCI.