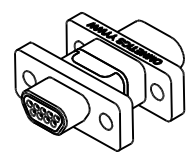
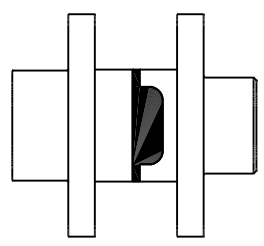
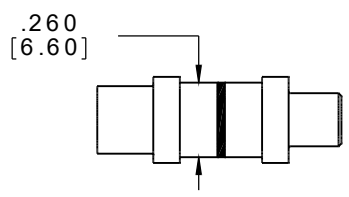
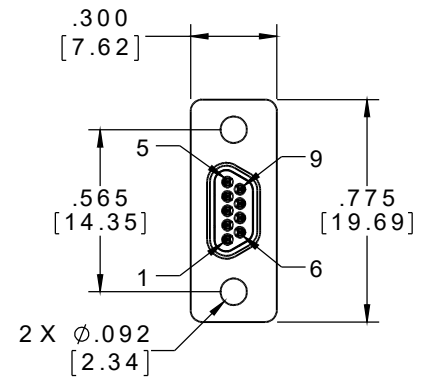
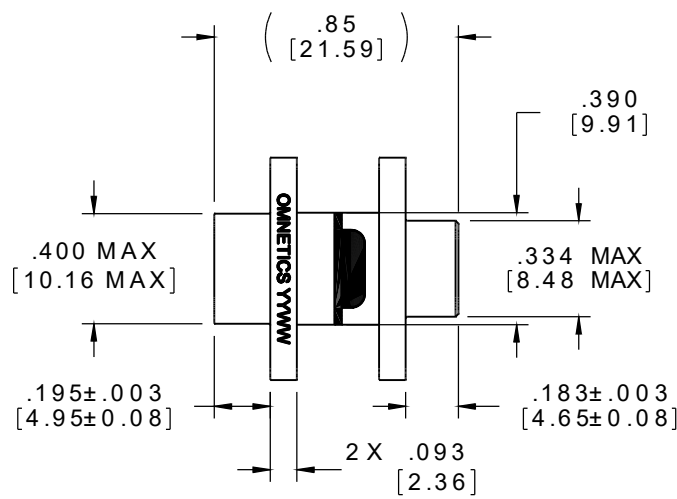
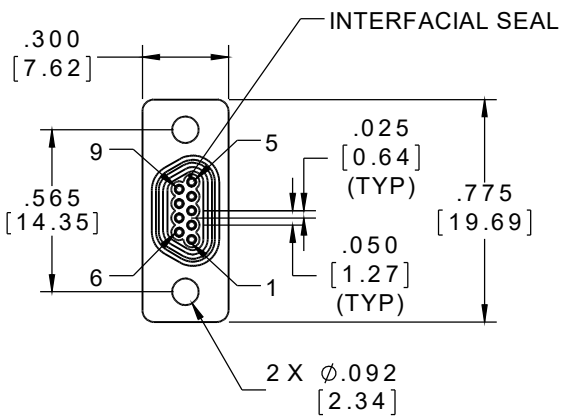


PART NO.	A97011-009	REV	ECO	DATE	APP
		A	99166	12-28-12	TLM



ACTUAL SIZE

MATERIALS

HOUSING:

ALUMINUM 6061-T6, NICKEL PLATE PER SAE-AMS-2404

INSULATOR:

LIQUID CRYSTAL POLYMER (LCP) PER ASTM D5138

MALE CONTACT:

BERYLLIUM COPPER PER ASTM B194, C17200, GOLD PLATED PER ASTM B488, (HARD GOLD) TYPE II CODE C, CLASS 1.27

FEMALE CONTACT/SOLDERCUP:

COPPER ALLOY PER MIL-DTL-83513, GOLD PLATED PER ASTM B488, (HARD GOLD) TYPE II CODE C CLASS 1.27

INTERFACIAL SEAL:

SILICONE RUBBER PER A-A-59588

MMDZ/SJW	THIRD ANGLE	THIS DRAWING CONTAINS CONFIDENTIAL AND PROPRIETARY INFORMATION WHICH IS THE PROPERTY OF OMNETICS CONNECTOR CORP. THIS DOCUMENT MAY NOT, IN WHOLE OR IN PART, BE DUPLICATED, OR DISCLOSED FOR ANY PURPOSE, WITHOUT WRITTEN PERMISSION FROM OMNETICS CONNECTOR CORP.		 OMNETICS CONNECTOR CORPORATION 7260 COMMERCE CIRCLE EAST MINNEAPOLIS, MN 55432 WWW.OMNETICS.COM	CAGE CODE 61873		
	-TOLERANCES-	DFTM. MJM	DATE 12-18-12		TITLE:	DWG NO. A97011-009	
	UNLESS OTHERWISE NOTED	CHK'D.	DATE		(09) POSITION MICRO-D	SHEET 1 OF 1	
	DIMENSIONS IN INCHES	APP'D.	DATE		CONNECTOR SAVER	REV	A
2 PL DEC ± .01				SCALE: 3:2			
3 PL DEC ± .005							
4 PL DEC ± .0005							
ANGLES ± 1°							