

## ADS02908MR-R 29mm Speaker

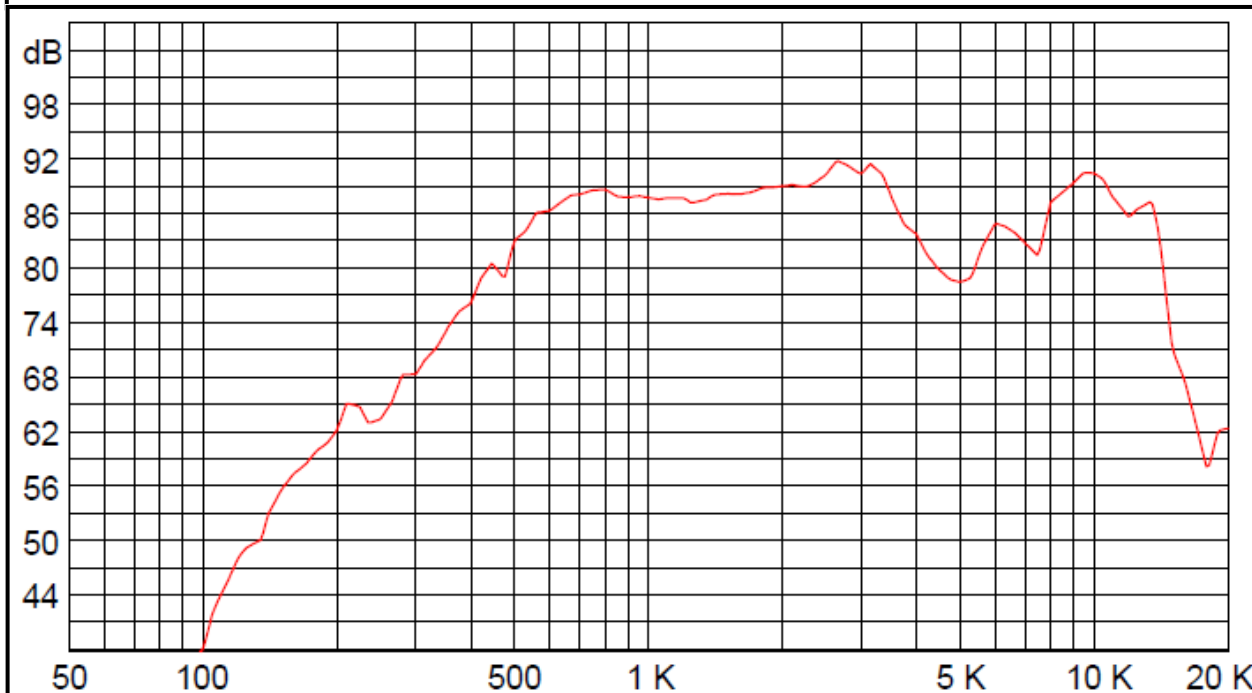


3541 Stop Eight Road • Dayton, Ohio 45414

### Product Overview

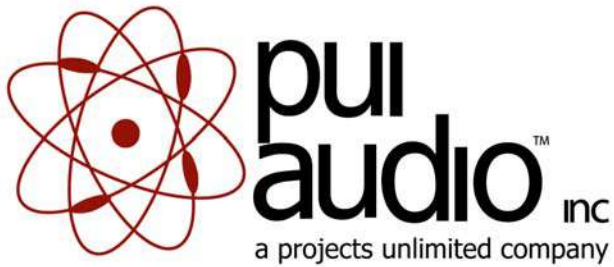
- 29mm diameter speaker with 88 dB sensitivity
- 0.1W continuous, 0.2W maximum power handling and 8Ω impedance
- Transparent polyester cone and tough, durable ABS housing

Frequency Response (0.1W @ 0.1 meter)



2011-01-01 to 2015-01-01

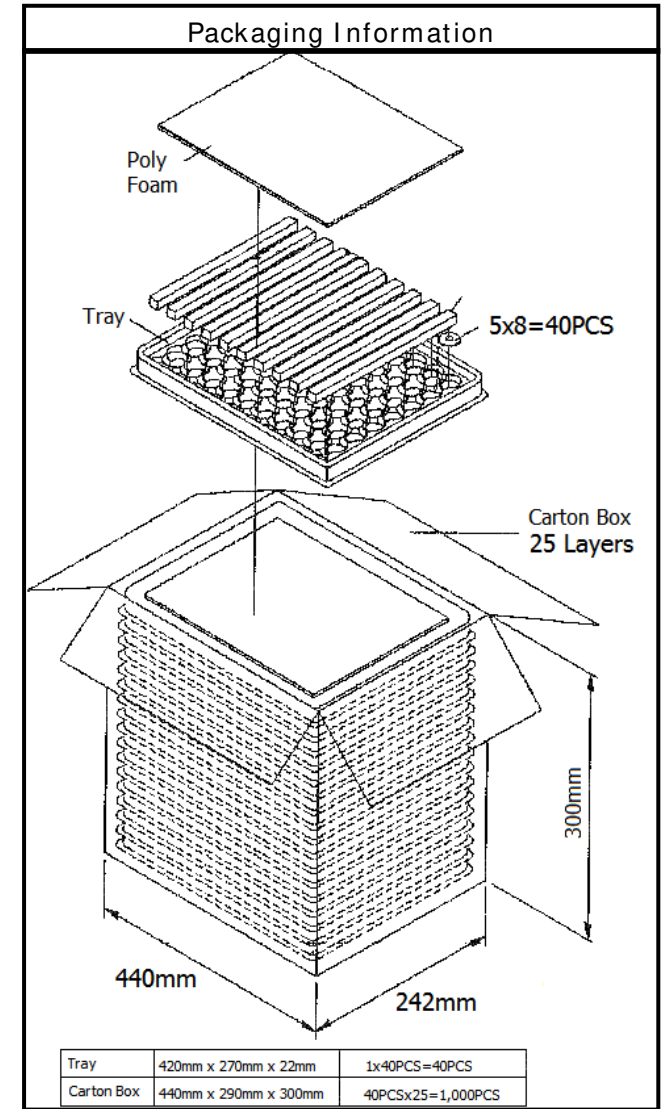
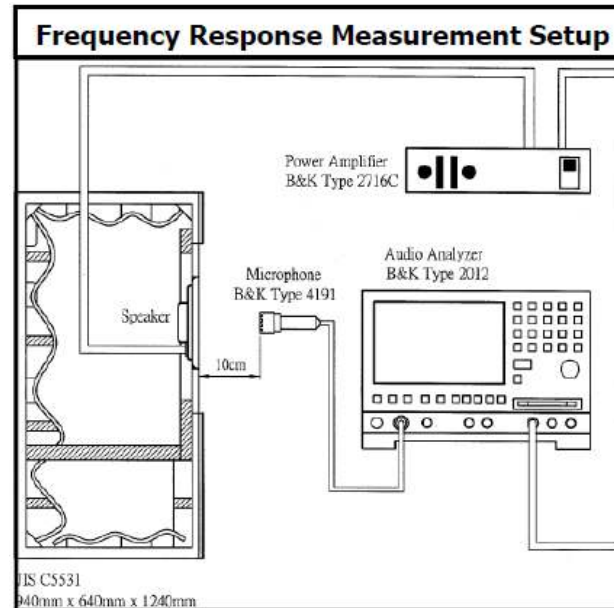
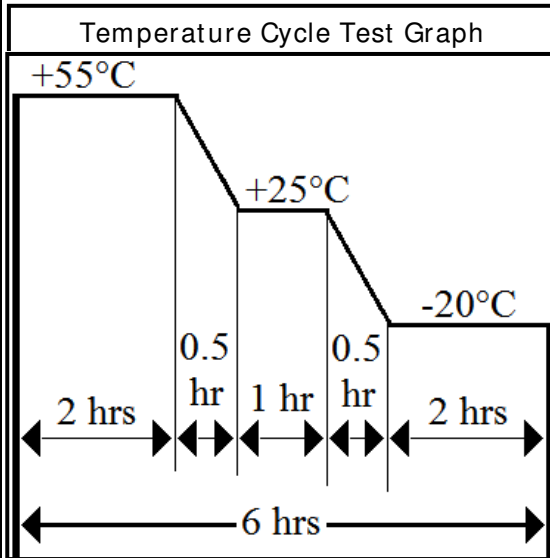




# ADS02908MR-R 29mm Speaker

Mechanical and Environment Testing	
Test Description	Test Condition
High Temperature	55°C with random humidity for 96 hours
Low Temperature	-20°C with random humidity for 96 hours
Humidity	40°C with 90% to 95% relative humidity for 96 hours
Vibration	1.5 mm movement modulated at 10 to 55 Hz for 2 hours
Drop Test	75 cm free fall onto 40 mm thick board, 10 cycles
Temperature Cycle Test	-20°C to 55°C, 5 cycles (refer to Temperature Cycle Test Graph)

After tests, speaker shall rest for 1 hours. SPL shall not deviate  $\pm 3$  dB from pre-test measurement.



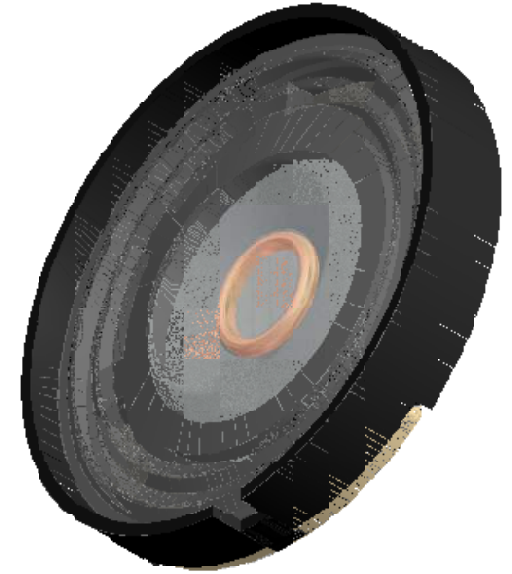
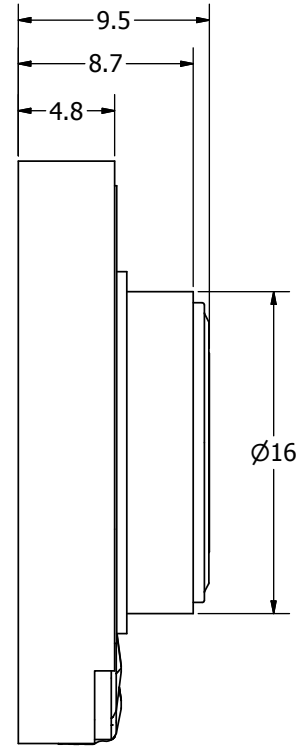
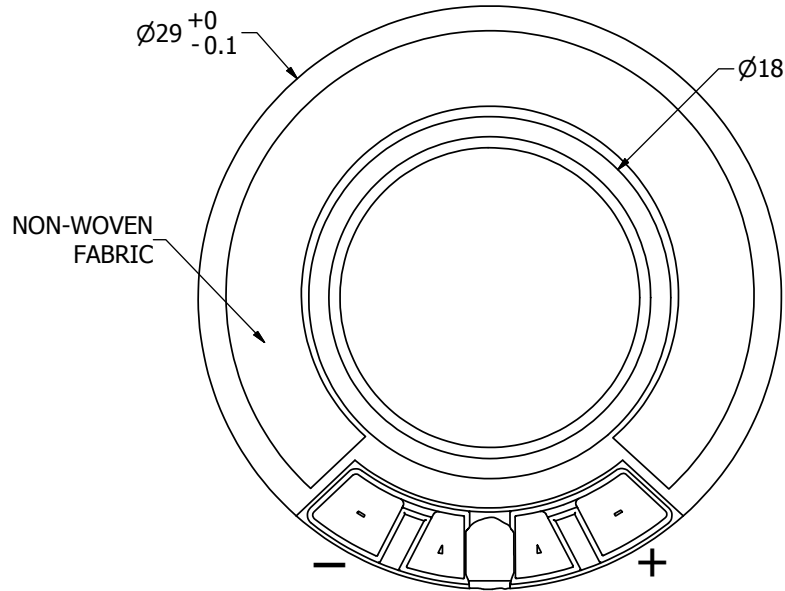
## SPECIFICATIONS

PARAMETERS	VALUES	UNITS
RATED INPUT POWER	0.1	W
MAX INPUT POWER	0.2	W
IMPEDANCE	8 ± 15%	OHM
OUTPUT SPL @ 0.1W/10CM (AT 1.0, 1.2, 1.5, 2.0 kHz)	88 ± 3	dBA
DISTORTION (MAX.)	10%	-
RESONANT FREQUENCY	650 ± 20%	Hz
FREQUENCY RANGE	650 ~ 4,000	Hz
HOUSING MATERIAL	ABS	-
CONE MATERIAL	TRANSPARENT POLYESTER	-
MAGNET MATERIAL	FERRITE	-
OPERATING TEMPERATURE	-20 ~ +55	°C
WEIGHT	8	grams

THIS DOCUMENT CONTAINS DATA PROPRIETARY TO PROJECTS UNLIMITED, INC. ANY USE OR REPRODUCTION, IN ANY FORM, WITHOUT PRIOR WRITTEN PERMISSION OF PROJECTS UNLIMITED, INC. IS PROHIBITED.  
©2003, Projects Unlimited Inc.

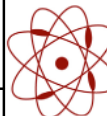
## REVISION HISTORY

LTR	DESCRIPTION	DATE	APPROVED
-	RELEASED FROM ENGINEERING	9/21/2005	
A	REVISED TO INVENTOR 3-D DRAWING TEMPLATE	10/29/2008	B.R.



### NOTES:

1. ALL DIMENSIONS ARE IN MILLIMETERS.
2. SPECIFICATIONS SUBJECT TO CHANGE OR WITHDRAWAL WITHOUT NOTICE.
3. THIS PART IS RoHS 2002/95/EC COMPLIANT.

UNLESS OTHERWISE SPECIFIED: DIMENSIONS ARE IN MILLIMETERS, TOLERANCES ARE ±0.5 AND ANGLES ARE ±3°.	SIZE <b>A3</b>	Designed by	Date	Checked by	Date	Approved by	Date	Drawn Date
		J.D.	9/21/2005	B.R.	9/21/2005	E.P.	9/21/2005	10/29/2008
ADS02908MR-R.idw		 <b>pui audio</b> <small>a projects unlimited company</small>			<b>ADS02908MR-R</b>			
		Speaker			Edition		Sheet	
					-		1 / 1	