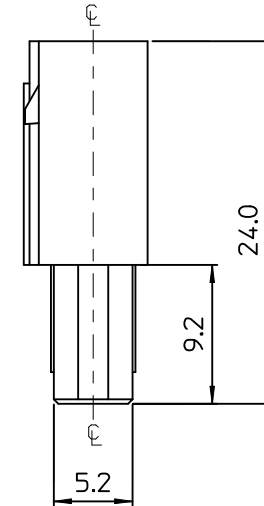
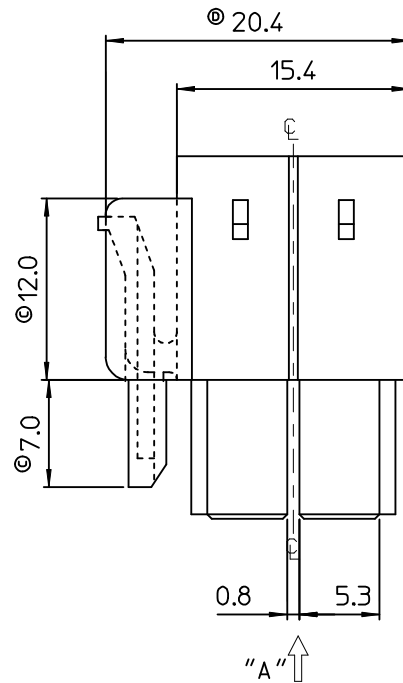
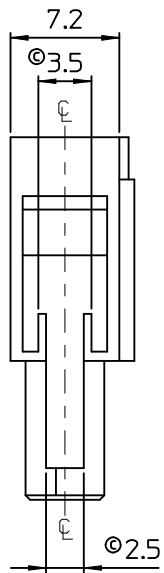


NOTES.

1. MATERIAL & COLOR : SEE TABLE
2. MATED HOUSING : 35180-040*
35180-060*
3. APPLICABLE TERMINAL : 35746-0*10
4. APPLICABLE T.P.A : 35965-029*
5. PRODUCT SPECIFICATION : PS-35180-002



NO.	POLYESTER(PBT)		PC/PET(UL94V-0)	
	MATERIAL	COLOR	MATERIAL	COLOR
1	35965-0200	NATURAL	35965-9200	NATURAL
2	35965-0202	RED	35965-9202	RED
3	35965-0203	YELLOW	35965-9203	YELLOW
4	35965-0204	BLUE	35965-9204	BLUE

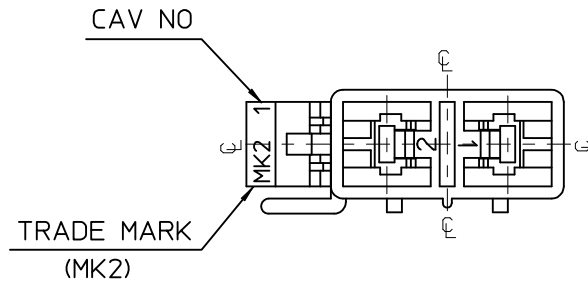
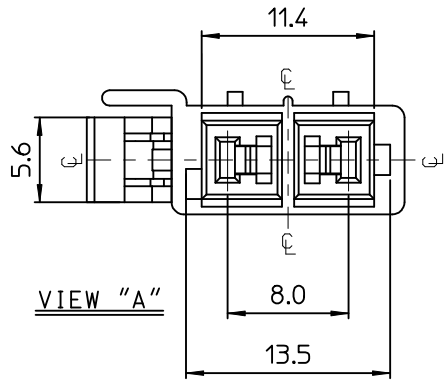
REVISED	EC NO: KOR2017-0041	2017/02/16
	DRWN: JSSHIN	2017/02/16
	CHKD: SHCHU	2017/02/16
	APPR: YSKI MO2	2017/02/17
D1	REV	

QUALITY SYMBOLS
=0
=0

GENERAL TOLERANCES (UNLESS SPECIFIED)	
	mm
4 PLACES	± 0.3
3 PLACES	± 0.4
2 PLACES	± 0.5
1 PLACE	± 0.8
ANGULAR ± 1°	
DRAFT WHERE APPLICABLE MUST REMAIN WITHIN DIMENSIONS	

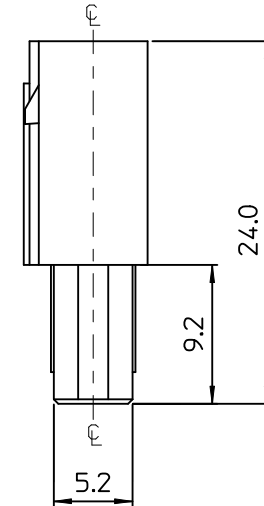
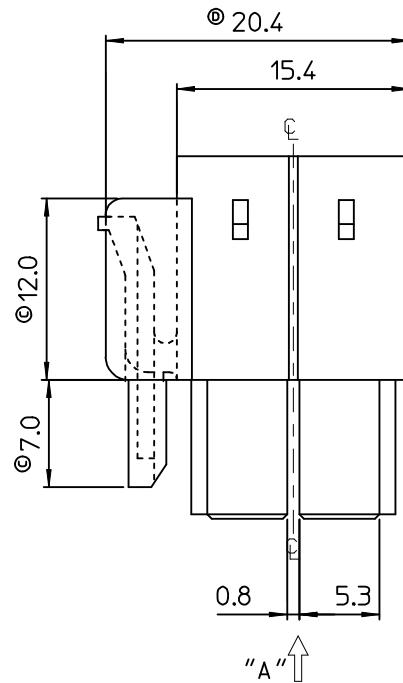
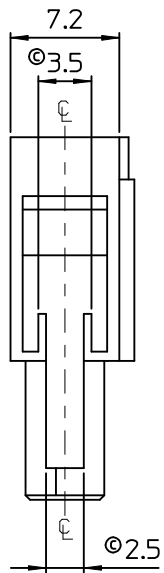
DIMENSION STYLE	
MM ONLY	
DRAWN BY	DATE
JS.KANG	1995/09/28
CHECKED BY	DATE
BK.CHOI	1995/09/28
APPROVED BY	DATE
CW.LEE	1995/09/28
MATERIAL NO.	
SEE TABLE	
SIZE	A3

SCALE	3/1
DESIGN UNITS	METRIC
THIRD ANGLE PROJECTION	
TITLE	
070 MULTI FEMALE HSG 2P(A)	
MOLEX INCORPORATED	
DOCUMENT NO.	SD-35965-020*
SHEET NO.	1 OF 01
THIS DRAWING CONTAINS INFORMATION THAT IS PROPRIETARY TO MOLEX INCORPORATED AND SHOULD NOT BE USED WITHOUT WRITTEN PERMISSION	



NOTES.

1. MATERIAL & COLOR : SEE TABLE
2. MATED HOUSING : 35180-040*
35180-060*
3. APPLICABLE TERMINAL : 35746-0*10
4. APPLICABLE T.P.A : 35965-029*
5. PRODUCT SPECIFICATION : PS-35180-002



NO.	POLYESTER(PBT)		PC/PET(UL94V-0)	
	MATERIAL	COLOR	MATERIAL	COLOR
1	35965-0200	NATURAL	35965-9200	NATURAL
2	35965-0202	RED	35965-9202	RED
3	35965-0203	YELLOW	35965-9203	YELLOW
4	35965-0204	BLUE	35965-9204	BLUE

REVISED	EC NO: KOR2017-0041	2017/02/16
	DRWN: JSSHIN	2017/02/16
	CHKD: SHCHU	2017/02/17
	APPR: YSKI1M02	2017/02/17
D1	REV	DESCRIPTION

QUALITY SYMBOLS	▽=0
	∇=0

GENERAL TOLERANCES (UNLESS SPECIFIED)	
	mm
4 PLACES	± 0.3
3 PLACES	± 0.4
2 PLACES	± 0.5
1 PLACE	± 0.6
ANGULAR ± 1°	
DRAFT WHERE APPLICABLE MUST REMAIN WITHIN DIMENSIONS	

DIMENSION STYLE	
MM ONLY	
DRAWN BY	DATE
JS.KANG	1995/09/28
CHECKED BY	DATE
BK.CHOI	1995/09/28
APPROVED BY	DATE
CW.LEE	1995/09/28
MATERIAL NO.	
SEE TABLE	
SIZE	A3

SCALE	3/1
DESIGN UNITS	METRIC
THIRD ANGLE PROJECTION	
TITLE	
070 MULTI FEMALE HSG 2P(A)	
MOLEX INCORPORATED	
DOCUMENT NO.	SD-35965-020*
SHEET NO.	1 OF 01
THIS DRAWING CONTAINS INFORMATION THAT IS PROPRIETARY TO MOLEX INCORPORATED AND SHOULD NOT BE USED WITHOUT WRITTEN PERMISSION	