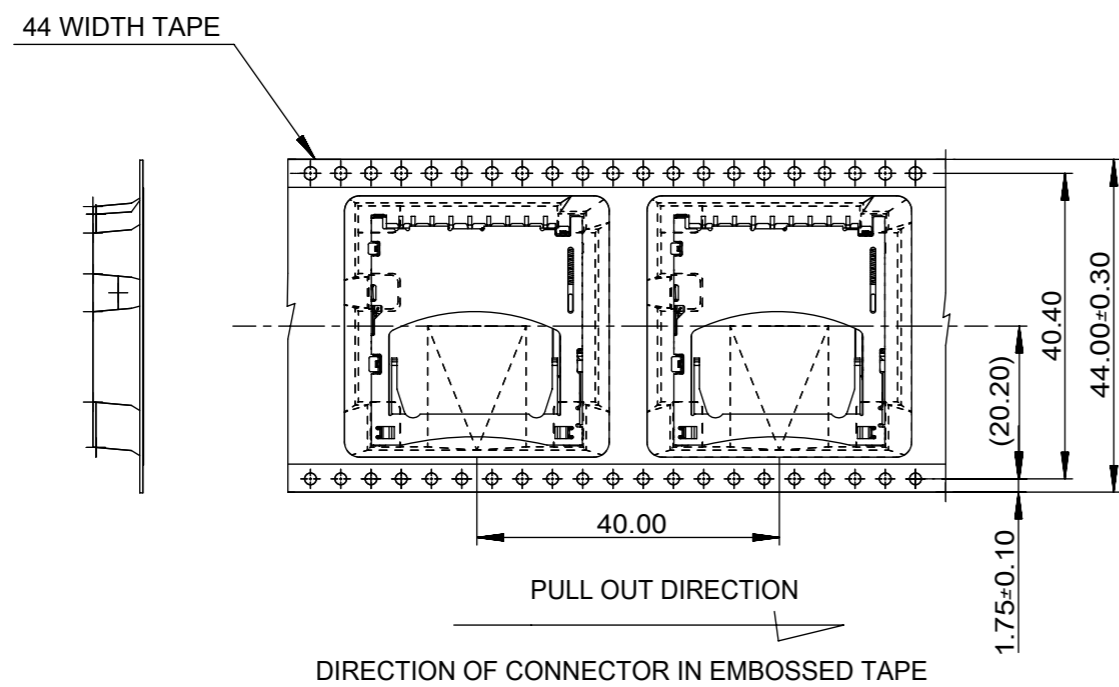
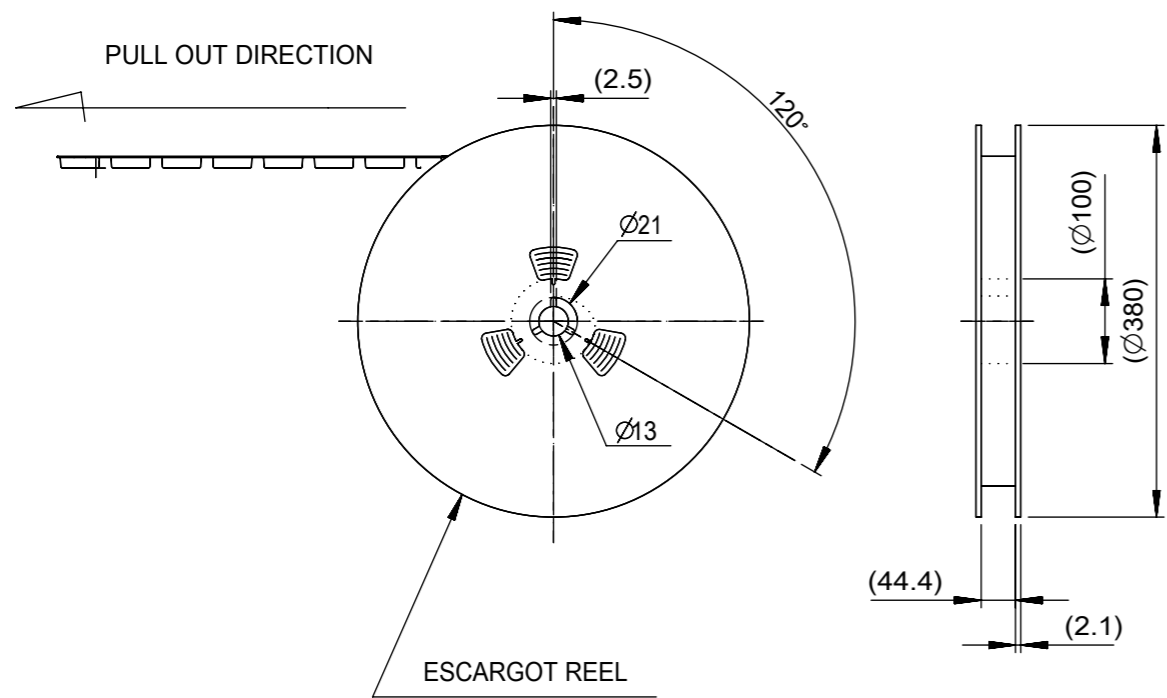


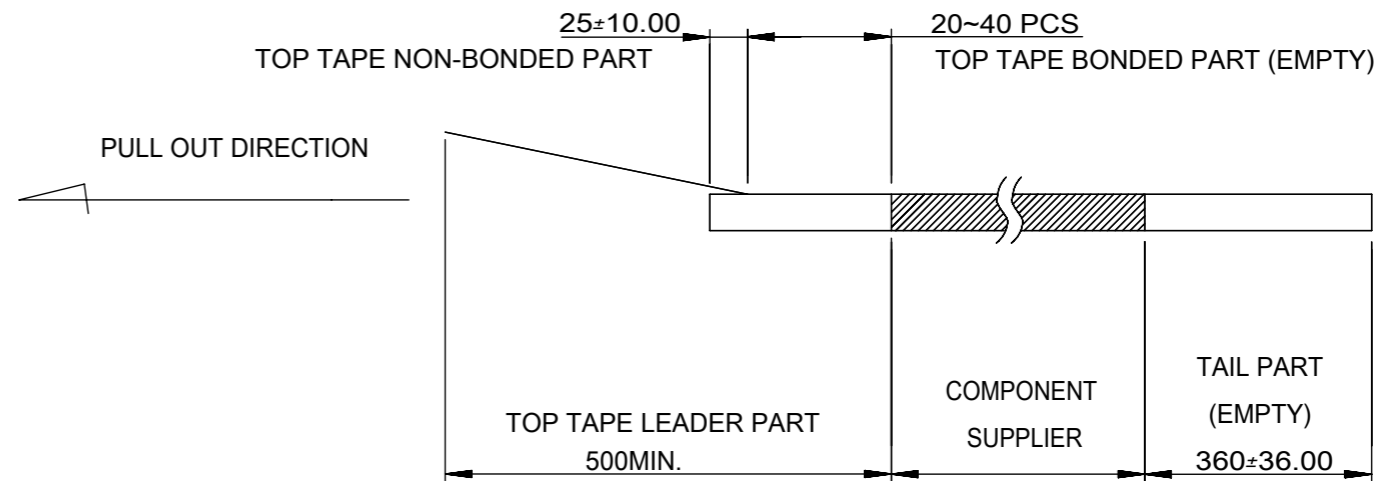
RECOMMENDED PCB PATTERN LAYOUT

THIS DRAWING CONTAINS INFORMATION THAT IS PROPRIETARY TO MOLEX ELECTRONIC TECHNOLOGIES, LLC AND SHOULD NOT BE USED WITHOUT WRITTEN PERMISSION		CURRENT REV DESC: REVISED			
DIMENSION UNITS	SCALE				
mm	NTS			PRODUCT CUSTOMER DRAWING	
GENERAL TOLERANCES (UNLESS SPECIFIED)		EC NO: 610059		DOCUMENT NUMBER	
ANGULAR TOL $\pm 3.0^\circ$		DRWN: MGLEI 2019/01/02		SD-67840-007	
4 PLACES \pm		CHK'D: XQZHANG 2019/01/23		DOC TYPE	
3 PLACES \pm		APPR: XQZHANG 2019/01/23		DOC PART	
2 PLACES ± 0.25		INITIAL REVISION:		REVISION	
1 PLACE ± 0.25		DRWN: QLZHANG 2005/01/27		001	
0 PLACES \pm		APPR: YTYAP 2005/01/28		C	
DRAFT WHERE APPLICABLE MUST REMAIN WITHIN DIMENSIONS		THIRD ANGLE PROJECTION	DRAWING	SERIES	MATERIAL NUMBER
			A3-SIZE	67840	678408001
					CUSTOMER
					GENERAL MARKET
					SHEET NUMBER
					2 OF 3

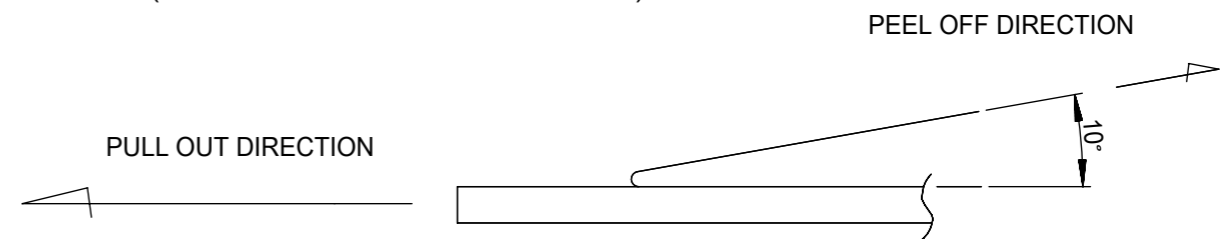


NOTES:

1. NUMBER OF CONNECTORS: 250 PCS/REEL
- 2.



3. PEEL-OFF FORCE OF TOP TAPE: 0.1~1.3N (10.2~130gf)
(PEELING DIRECTION AS SHOWN IN FOLLOWING FIGURE.)
(PEEL-OFF SPEED:300mm/min REF)



THIS DRAWING CONTAINS INFORMATION THAT IS PROPRIETARY TO MOLEX ELECTRONIC TECHNOLOGIES, LLC AND SHOULD NOT BE USED WITHOUT WRITTEN PERMISSION									
DIMENSION UNITS		SCALE		CURRENT REV DESC: REVISED				molex	
mm		NTS							
GENERAL TOLERANCES (UNLESS SPECIFIED)				EC NO: 610059				SD MEMORY CARD CONN.	
ANGULAR TOL ± 3.0°				DRWN: MGLEI 2019/01/02				ASS'Y(TOP MOUNT TYPE 1.8 MM STAND OFF, LEAD-FREE)	
4 PLACES ±				CHK'D: XQZHANG 2019/01/23				PRODUCT CUSTOMER DRAWING	
3 PLACES ±				APPR: XQZHANG 2019/01/23					
2 PLACES ± 0.25				INITIAL REVISION:				DOCUMENT NUMBER	
1 PLACE ± 0.25				DRWN: QLZHANG 2005/01/27				SD-67840-007	
0 PLACES ±				APPR: YTYAP 2005/01/28				DOC TYPE DOC PART REVISION	
DRAFT WHERE APPLICABLE MUST REMAIN WITHIN DIMENSIONS				THIRD ANGLE PROJECTION		DRAWING		MATERIAL NUMBER	
				A3-SIZE		SERIES		CUSTOMER	
				67840		678408001		GENERAL MARKET	
								SHEET NUMBER	
								3 OF 3	