

# DVR-LB1

DVR Lockbox w/ Fan

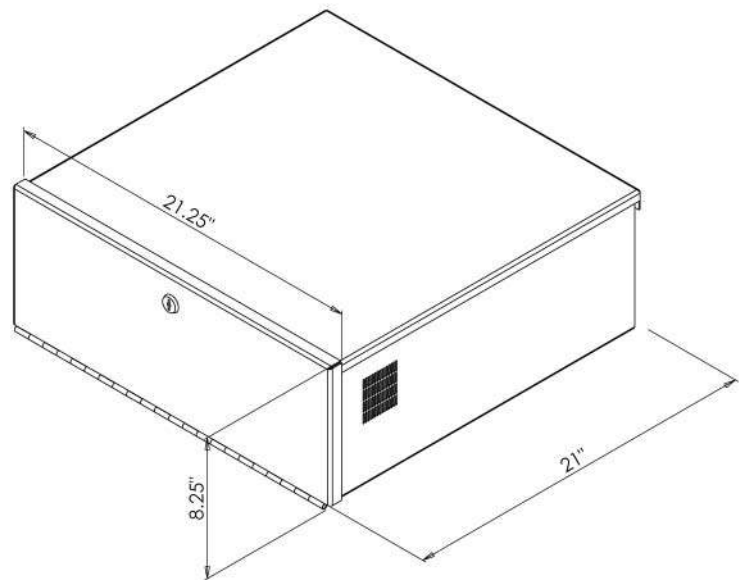
## Product Features:

- Interior dimensions 21"W x 21" D x 8"H
- Includes fan and vents for thermal management
- Interlocking lift off lid
- Key locked hinged front door
- Black powder coat finish

## Product Specifications:

*(for Architects & Engineers)*

The DVR lockbox shall be the Video Mount Products (VMP) DVR-LB1. The lockbox shall be primarily constructed of formed steel and shall include spot welds. The lockbox shall have an interlocking lift off lid and a keyed lock front door. The lockbox shall include multiple cable knockouts to accommodate cable connections to the DVR. The lockbox shall include a fan with a power cord and vents for proper ventilation of the DVR.



## Video Mount Products

345 Log Canoe Circle  
Stevensville, MD 21666  
Toll Free: 877.281.2169  
Telephone: 410.643.6390  
Facsimile: 410.643.6615  
[www.videomount.com](http://www.videomount.com)

