

SPECIFICATIONS

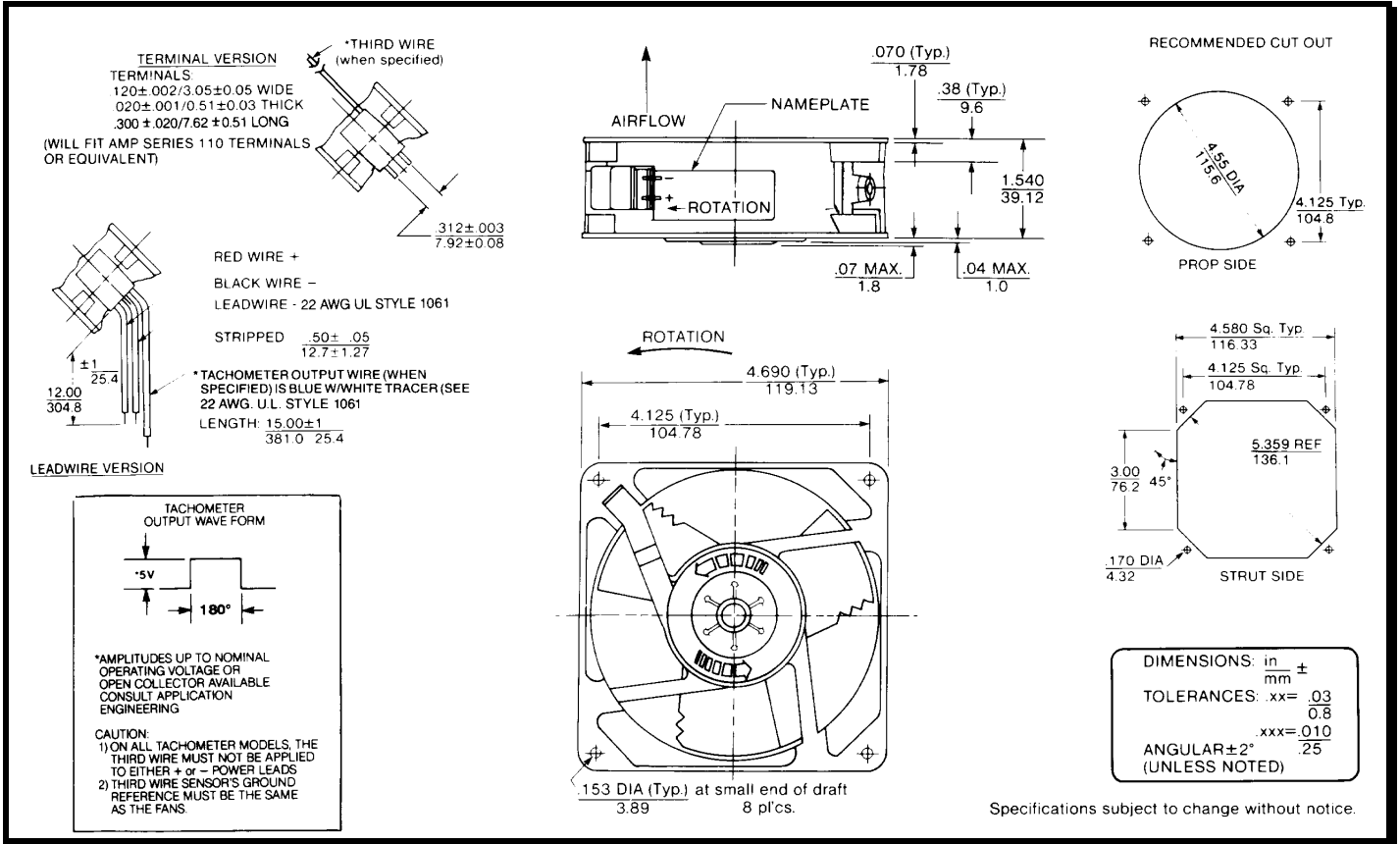
(RoHS Compliant)



Model Number: MD24B5

Part Number: 19028886A **Drawing Number:** 26021750A00 **Jan.01.2013**

Mechanical Drawing:



Motor:

Nominal Voltage	= 24 vdc
Operating Voltage Range	= 12 - 28 vdc
Running Current	= 0.250 amps
Locked Rotor Current	= 0.750 amps
Running Power	= 6.0 watts
Average Speed	= 3100 rpm
Bearings	= Ball
Air Flow	= 110 CFM
Acoustic	= 50.0 dBA

Construction:

Venturi: Die-Cast Zinc Alloy, Black
 Propeller: Plastic, Black, UL 94V-0

Life Expectancy:

This fan is designed for continuous duty life of 83,000 hours at 40°C.

Agency Approved:

UL, CE

Additional Features:

Brushless DC Motor
 Electronic Locked Rotor Protected
 Polarity Protected
 Automatic Restart Capability
 Operating Temperature: -10°C to 70°C
 Storage Temperature: -40°C to 85°C

Tachometer Output:

Isolated: No
 Output: 5 V TTL Compatible
 I_c: 5 mA Typical
 Pulse per Revolution: 1

Termination:

12" Lead wires, 22 AWG, UL 1061
 Red - Fan Power (+)
 Black - Fan Ground (-)
 Blue/White - Tachometer (Output)