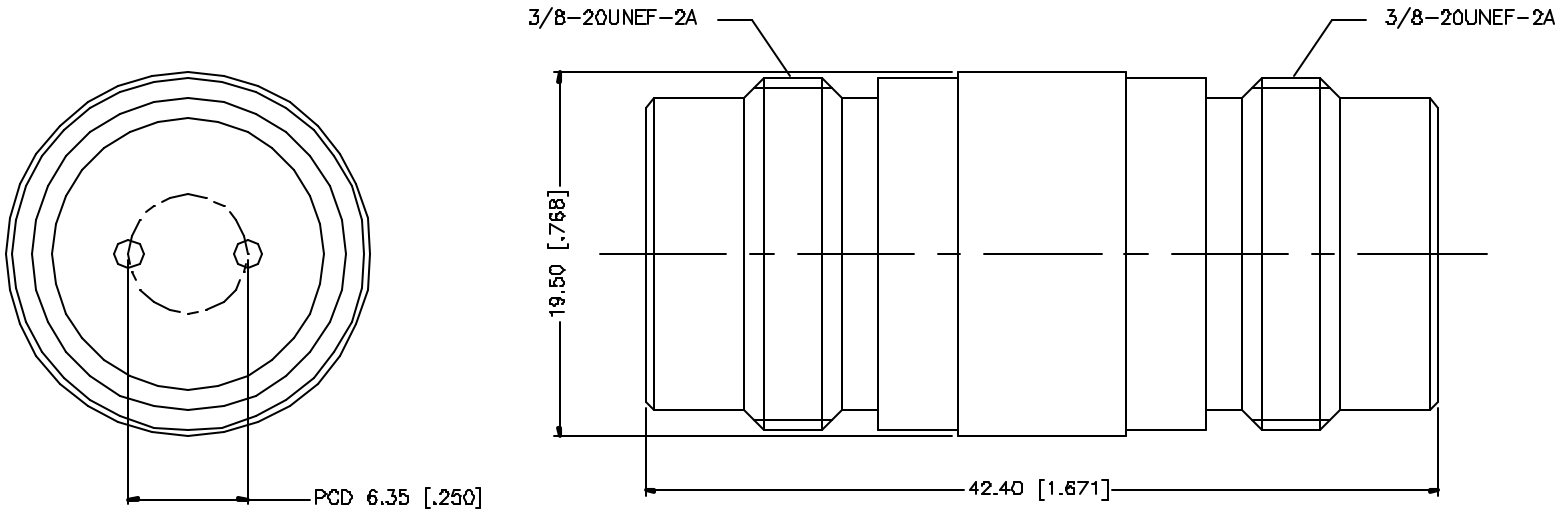


REV.	DATE	DESCRIPTION
NC	04/15/07	INITIAL RELEASE



8				
7				
6				
5				
4				
3	CONTACT PIN	PHOS. BRONZE	GOLD	2
2	INSULATOR	PBT	NATURAL	2
1	BODY	BRASS	NICKEL	1
	DESCRIPTION	MATERIAL	FINISH	QTY

UNLESS OTHERWISE SPECIFIED DIMENSIONS ARE IN MILLIMETERS. DIMENSIONS IN [ ] ARE IN INCHES AND FOR CUSTOMER RECEIVES ONLY.

UNLESS OTHERWISE SPECIFIED TOLERANCES FOR MILLIMETERS ARE:  
0.5 - 8mm ± 0.20mm  
8 - 30mm ± 0.40mm  
30 - 120mm ± 0.50mm

UNLESS OTHERWISE SPECIFIED TOLERANCES FOR INCHES ARE:  
.020 - .315 = ± 0.007"  
.315 - 1.180 = ± 0.015"  
1.180 - 4.724 = ± 0.020"

DO NOT SCALE DRAWING

APPROVALS	DATE
DRAWN G.R.S.	04/15/07
CHECKED	
ISSUED	
SHEET 1 OF 1	
CAD FILE C:/162/162104.DWG	

**Amphenol Connex**

PART DESCRIPTION  
**TWINAXIAL FEMALE-FEMALE ADAPTER**

PART NO. **162104**

DWG. NO. 162104.DWG	REV. NC	SIZE A	SCALE NA
---------------------	---------	--------	----------