



MADE
IN THE **USA**

Related Products (each sold separately):

- GL040-0233 : BOWMAN® *Signature Series* - Glove Box Dispenser - Quad, Cherry Fauxwood ABS Plastic (shown below)



Product Description:

- Glove Box Dispenser - Quad with Dividers
- Holds four boxes of gloves
- Three-way keyholes for vertical or horizontal wall mounting
- BOWMAN® *Signature Series* - Maple Fauxwood ABS Plastic

Primary Area for Product Usage:

- Anywhere gloves are needed

Dispenses:

- Box(es) no larger than 5.50"W x 10.00"H x 3.75"D (14.0 cm x 25.4 cm x 9.5 cm)
- Box(es) no smaller than 4.50"W x 9.00"H x 3.00"D (11.4 cm x 22.9 cm x 7.6 cm)

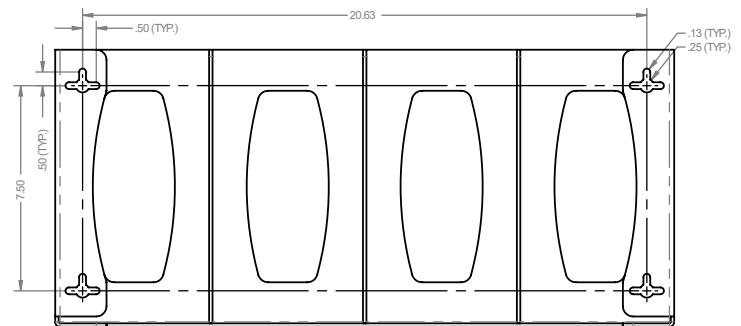
Package Specifications:

- Package Quantity: 4 per case
- 26"L x 11"W x 8"H (66.0 cm x 27.9 cm x 20.3 cm)
- 10.0 lbs (4.5 kg) - approximated

Product Specifications (overall external dimensions):

- 22.63"W x 10.13"H x 4.00"D (57.5 cm x 25.7 cm x 10.2 cm)
- 1.9 lbs (0.8 kg) - approximated

Mounting Specifications:

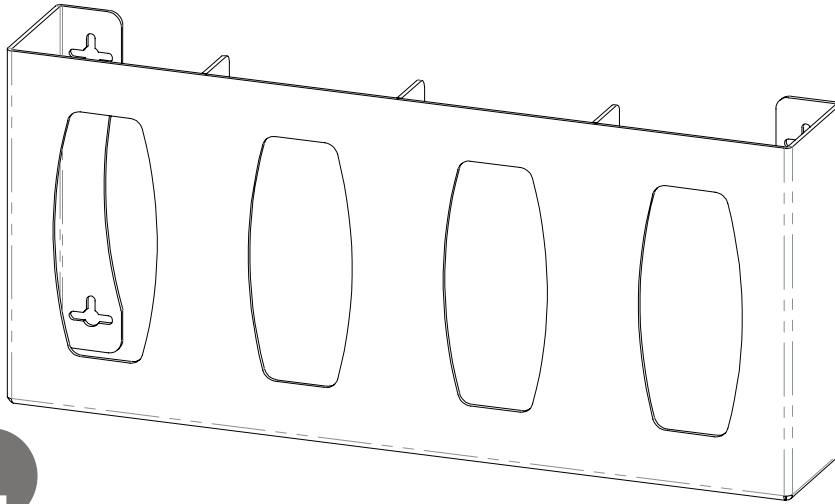




Installation

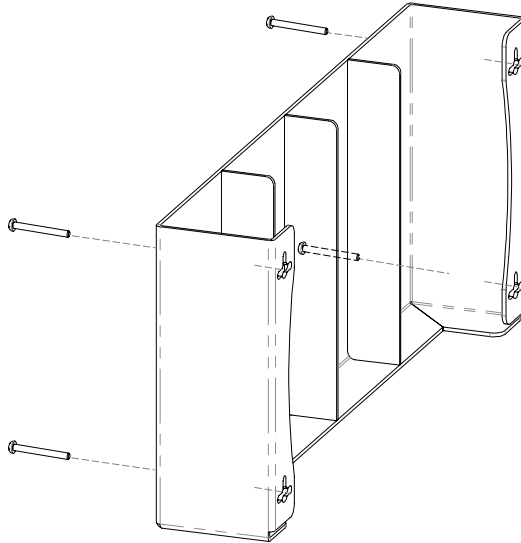
Always mount dispensers securely *prior* to loading with product.

- Divider holes boxes separately and enables easy reloading even when mounted vertically.



1

- Mount securely to a wall with screws approved and supplied by building maintenance.



2

Parts included:

- Dispenser

Tools Required:

- No tools required to assemble dispenser

Care and Construction

Fauxwood ABS Plastic

Material Characteristics

Designed for Long-Term, Heavy-Duty Applications

The combination of copolymers (Acrylonitrile, Butadiene, and Styrene) gives ABS an excellent combination of strength, rigidity, and toughness. The fauxwood finish is ARVINYL laminate created from a semi-rigid film.

ABS is chemical and stress-crack resistant. It is tough, dimensionally stable, and will hold up to long-term use. To ensure product longevity, fauxwood products should not be mounted in very hot or cold areas.

Care and Cleaning

Use mild soap and water to clean. Petroleum-based oils, solvents, and paints should not be used.

Standard hospital cleaning supplies are approved for use on our ABS plastic products.