



# -48V Hot-Swap Controller with External RSENSE

MAX5920

## General Description

The MAX5920A/MAX5920B are hot-swap controllers that allow a circuit card to be safely hot plugged into a live backplane. The MAX5920A/MAX5920B operate from -20V to -80V and are well-suited for -48V power systems. These devices are pin and function compatible with the LT4250 and pin compatible with the LT1640.

The MAX5920A/MAX5920B provide a controlled turn-on to circuit cards preventing glitches on the power-supply rail and damage to board connectors and components. The MAX5920A/MAX5920B provide undervoltage, overvoltage, and overcurrent protection. These devices ensure the input voltage is stable and within tolerance before applying power to the load.

Both the MAX5920A and MAX5920B protect a system against overcurrent and short-circuit conditions by turning off the external MOSFET in the event of a fault condition. The MAX5920A/MAX5920B also provide protection against input voltage steps. During an input voltage step, the MAX5920A/MAX5920B limit the current drawn by the load to a safe level without turning off power to the load.

Both devices feature an open-drain power-good status output (PWRGD for the MAX5920A or PWRGD for the MAX5920B) that can be used to enable downstream converters. A built-in thermal-shutdown feature is also included to protect the external MOSFET in case of overheating.

The MAX5920A/MAX5920B are available in an 8-pin SO package. Both devices are specified for the extended -40°C to +85°C temperature range.

## Applications

- Telecom Line Cards
- Network Switches/Routers
- Central-Office Line Cards
- Server Line Cards
- Base-Station Line Cards

*Typical Operating Circuit and Selector Guide appear at end of data sheet.*

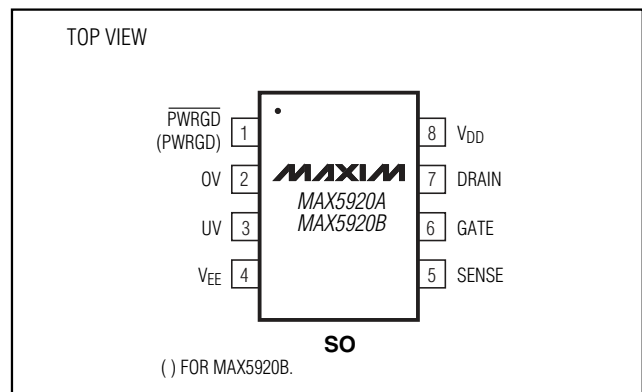
## Features

- ◆ Allows Safe Board Insertion and Removal from a Live -48V Backplane
- ◆ Pin- and Function-Compatible with LT4250L (MAX5920A)
- ◆ Pin-Compatible with LT1640L (MAX5920A)
- ◆ Pin- and Function-Compatible with LT4250H (MAX5920B)
- ◆ Pin-Compatible with LT1640H (MAX5920B)
- ◆ Circuit-Breaker Immunity to Input Voltage Steps and Current Spikes
- ◆ Withstands -100V Input Transients with No External Components
- ◆ Programmable Inrush and Short-Circuit Current Limits
- ◆ Operates from -20V to -80V
- ◆ Programmable Overvoltage Protection
- ◆ Programmable Undervoltage Lockout
- ◆ Powers Up into a Shorted Load
- ◆ Power-Good Control Output
- ◆ Thermal Shutdown Protects External MOSFET

## Ordering Information

PART	TEMP RANGE	PIN-PACKAGE
MAX5920AESA	-40°C to +85°C	8 SO
MAX5920BESA	-40°C to +85°C	8 SO

## Pin Configuration



# -48V Hot-Swap Controller with External RSENSE

## ABSOLUTE MAXIMUM RATINGS

All Voltages are Referenced to  $V_{EE}$ , Unless Otherwise Noted.  
 Supply Voltage ( $V_{DD} - V_{EE}$ ) ..... -0.3V to +100V  
 DRAIN, PWRGD,  $\overline{PWRGD}$  ..... -0.3V to +100V  
 $\overline{PWRGD}$  to DRAIN ..... -0.3V to +95V  
 $\overline{PWRGD}$  to  $V_{DD}$  ..... -95V to +85V  
 SENSE (Internally Clamped) ..... -0.3V to +1.0V  
 GATE (Internally Clamped) ..... -0.3V to +18V  
 UV and OV ..... -0.3V to +60V

Current Through SENSE .....  $\pm 40\text{mA}$   
 Current into GATE .....  $\pm 300\text{mA}$   
 Current into Any Other Pin .....  $\pm 20\text{mA}$   
 Continuous Power Dissipation ( $T_A = +70^\circ\text{C}$ )  
   8-Pin SO (derate 5.9mW/ $^\circ\text{C}$  above  $+70^\circ\text{C}$ ) ..... 471mW  
 Operating Temperature Range .....  $-40^\circ\text{C}$  to  $+85^\circ\text{C}$   
 Junction Temperature .....  $+150^\circ\text{C}$   
 Storage Temperature Range .....  $-65^\circ\text{C}$  to  $+150^\circ\text{C}$   
 Lead Temperature (soldering, 10s) .....  $+300^\circ\text{C}$

Stresses beyond those listed under "Absolute Maximum Ratings" may cause permanent damage to the device. These are stress ratings only, and functional operation of the device at these or any other conditions beyond those indicated in the operational sections of the specifications is not implied. Exposure to absolute maximum rating conditions for extended periods may affect device reliability.

## ELECTRICAL CHARACTERISTICS

( $V_{EE} = 0\text{V}$ ,  $V_{DD} = 48\text{V}$ ,  $T_A = -40^\circ\text{C}$  to  $+85^\circ\text{C}$ . Typical values are at  $T_A = +25^\circ\text{C}$ , unless otherwise noted.) (Notes 1, 4)

PARAMETER	SYMBOL	CONDITIONS	MIN	TYP	MAX	UNITS
<b>POWER SUPPLIES</b>						
Operating Input Voltage Range	$V_{DD}$		20		80	V
Supply Current	$I_{DD}$	(Note 2)		0.7	2	mA
<b>GATE DRIVER AND CLAMPING CIRCUITS</b>						
Gate Pin Pullup Current	$I_{PU}$	GATE drive on, $V_{GATE} = V_{EE}$	-30	-45	-60	$\mu\text{A}$
Gate Pin Pulldown Current	$I_{PD}$	GATE drive off, $V_{GATE} = 2\text{V}$	24	50	70	mA
External Gate Drive	$\Delta V_{GATE}$	$V_{GATE} - V_{EE}$ , $20\text{V} \leq V_{DD} \leq 80\text{V}$	10	13.5	18	V
GATE to $V_{EE}$ Clamp Voltage	$V_{GSCLMP}$	$V_{GATE} - V_{EE}$ , $I_{GS} = 30\text{mA}$	15	16.4	18	V
<b>CIRCUIT BREAKER</b>						
Current-Limit Trip Voltage	$V_{CL}$	$V_{CL} = V_{SENSE} - V_{EE}$	40	50	60	mV
SENSE Input Bias Current		$V_{SENSE} = 50\text{mV}$	-1	-0.2	0	$\mu\text{A}$
<b>UNDERVOLTAGE LOCKOUT</b>						
Internal Undervoltage Lockout Voltage High	$V_{UVLOH}$	$V_{DD}$ increasing	13.8	15.4	17.0	V
Internal Undervoltage Lockout Voltage Low	$V_{UVLOL}$	$V_{DD}$ decreasing	11.8	13.4	15.0	V
<b>UV PIN</b>						
UV High Threshold	$V_{UVH}$	UV voltage increasing	1.240	1.255	1.270	V
UV Low Threshold	$V_{UVL}$	UV voltage decreasing	1.105	1.125	1.145	V
UV Hysteresis	$V_{UVHY\_}$			130		mV
UV Input Bias Current	$I_{INUV}$		-0.5		0	$\mu\text{A}$
<b>OV PIN</b>						
OV High Threshold	$V_{OVH}$	OV voltage increasing	1.235	1.255	1.275	V
OV Low Threshold	$V_{OVL}$	OV voltage decreasing	1.189	1.205	1.221	V
OV Voltage Reference Hysteresis	$V_{OVHY}$			50		mV
OV Input Bias Current	$I_{INOV}$	$V_{OV} = V_{EE}$	-0.5		0	$\mu\text{A}$
<b>PWRGD OUTPUT SIGNAL REFERENCED TO DRAIN</b>						
DRAIN Input Bias Current	$I_{DRAIN}$	$V_{DRAIN} = 48\text{V}$	10	80	250	$\mu\text{A}$

# -48V Hot-Swap Controller with External RSENSE

**MAX5920**

## ELECTRICAL CHARACTERISTICS (continued)

( $V_{EE} = 0V$ ,  $V_{DD} = 48V$ ,  $T_A = -40^{\circ}C$  to  $+85^{\circ}C$ . Typical values are at  $T_A = +25^{\circ}C$ , unless otherwise noted.) (Notes 1, 4)

PARAMETER	SYMBOL	CONDITIONS	MIN	TYP	MAX	UNITS
DRAIN Threshold for Power-Good	$V_{DL}$	$V_{DRAIN} - V_{EE}$ threshold for power-good condition, DRAIN decreasing	1.1	1.7	2.0	V
GATE High Threshold	$V_{GH}$	$\Delta V_{GATE} - V_{GATE}$ threshold for power-good condition, $\Delta V_{GATE} - V_{GATE}$ decreasing	1.0	1.6	2.0	V
PWRGD, $\overline{PWRGD}$ Output Leakage	$I_{OH}$	$\overline{PWRGD}$ (MAX5920A) = 80V, $V_{DRAIN} = 48V$ , PWRGD (MAX5920B) = 80V, $V_{DRAIN} = 0V$			10	$\mu A$
$\overline{PWRGD}$ Output Low Voltage	$V_{OL}$	$V_{PWRGD} - V_{EE}$ ; $V_{DRAIN} - V_{EE} < V_{DL}$ , $I_{SINK} = 5mA$ (MAX5920A)		0.11	0.4	V
PWRGD Output Low Voltage	$V_{OL}$	$V_{PWRGD} - V_{DRAIN}$ ; $V_{DRAIN} = 5V$ , $I_{SINK} = 5mA$ (MAX5920B)		0.11	0.4	V
<b>OVERTEMPERATURE PROTECTION</b>						
Overtemperature Threshold	$T_{OT}$	Junction temperature, temperature rising		135		$^{\circ}C$
Overtemperature Hysteresis	$T_{HYS}$			20		$^{\circ}C$
<b>AC PARAMETERS</b>						
OV High to GATE Low	$t_{PHLOV}$	Figures 1a, 2		0.5		$\mu s$
UV Low to GATE Low	$t_{PHLUV}$	Figures 1a, 3		0.4		$\mu s$
OV Low to GATE High	$t_{PLHOV}$	Figures 1a, 2		3.3		$\mu s$
UV High to GATE High	$t_{PLHVL}$	Figures 1a, 3		3.4		$\mu s$
SENSE High to GATE Low	$t_{PHLSENSE}$	Figures 1a, 4a		1	3	$\mu s$
Current Limit to GATE Low	$t_{PHLCL}$	Figures 1b, 4b	350	500	650	$\mu s$
DRAIN Low to $\overline{PWRGD}$ Low DRAIN Low to (PWRGD - DRAIN) High	$t_{PHLDL}$	MAX5920A, Figures 1a, 5a MAX5920B, Figures 1a, 5a		1.8 3.4		$\mu s$
GATE High to $\overline{PWRGD}$ Low GATE High to (PWRGD-DRAIN) High	$t_{PHLGH}$	MAX5920A, Figures 1a, 5b MAX5920B, Figures 1a, 5b		1.6 2.5		$\mu s$
<b>TURN-OFF</b>						
Latch-Off Period	$t_{OFF}$	(Note 3)		128 x $t_{PHLCL}$		ms

**Note 1:** All currents into device pins are positive; all currents out of device pins are negative. All voltages are referenced to  $V_{EE}$ , unless otherwise specified.

**Note 2:** Current into  $V_{DD}$  with UV = 3V, OV, DRAIN, PWRGD, SENSE =  $V_{EE}$ , GATE = floating.

**Note 3:** Minimum duration of GATE pulldown following a circuit-breaker fault. The circuit breaker can be reset during this time by toggling UV low, but the GATE pulldown does not release until  $t_{OFF}$  has elapsed.

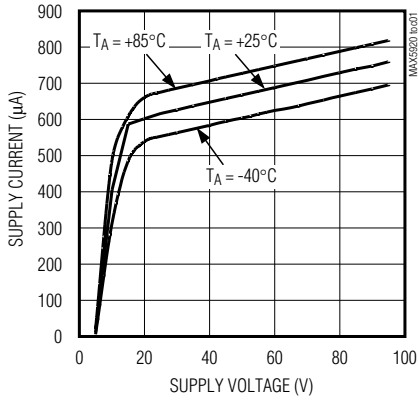
**Note 4:** Limits are 100% tested at  $T_A = +25^{\circ}C$  and  $+85^{\circ}C$ . Limits at  $-40^{\circ}C$  are guaranteed by design.

# -48V Hot-Swap Controller with External RSENSE

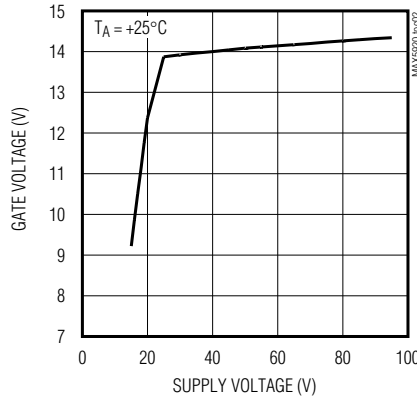
## Typical Operating Characteristics

( $V_{DD} = 48V$ ,  $V_{EE} = 0V$ ,  $T_A = +25^\circ C$ , unless otherwise noted.)

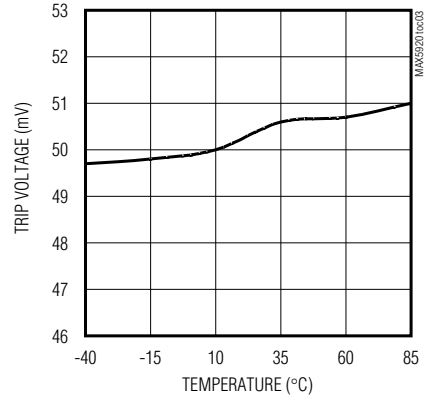
**SUPPLY CURRENT vs. SUPPLY VOLTAGE**



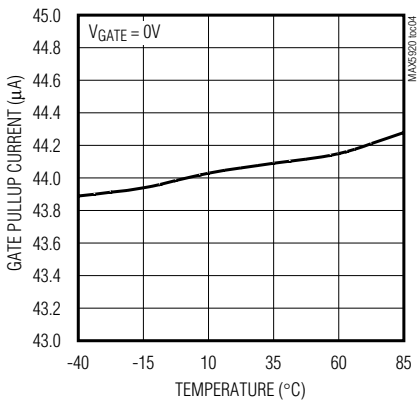
**GATE VOLTAGE vs. SUPPLY VOLTAGE**



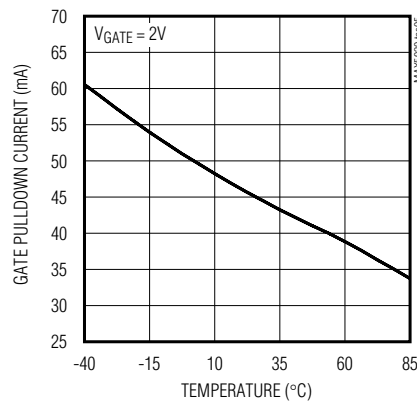
**CURRENT-LIMIT TRIP VOLTAGE vs. TEMPERATURE**



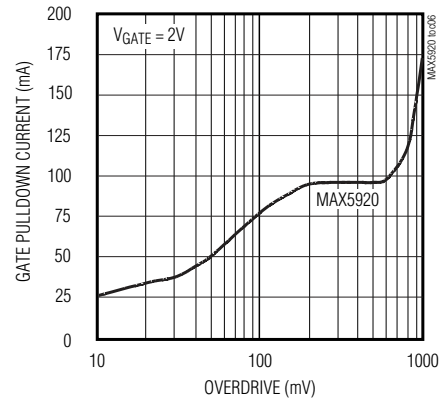
**GATE PULLUP CURRENT vs. TEMPERATURE**



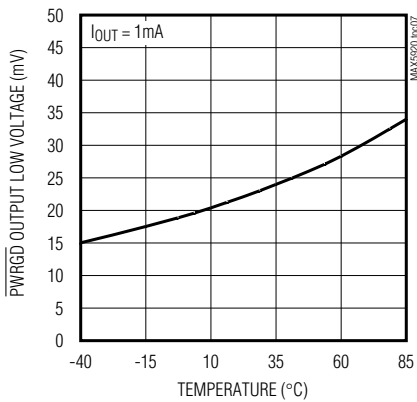
**GATE PULLDOWN CURRENT vs. TEMPERATURE**



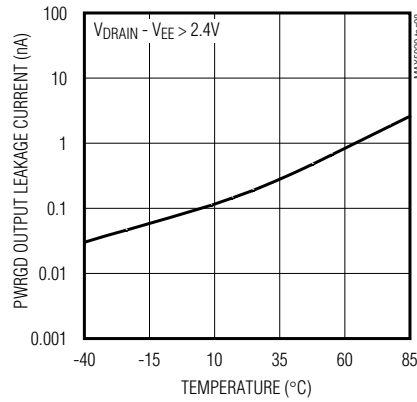
**GATE PULLDOWN CURRENT vs. OVERDRIVE**



**PWRGD OUTPUT LOW VOLTAGE vs. TEMPERATURE (MAX5920A)**



**PWRGD OUTPUT LEAKAGE CURRENT vs. TEMPERATURE (MAX5920B)**



# -48V Hot-Swap Controller with External RSENSE

MAX5920

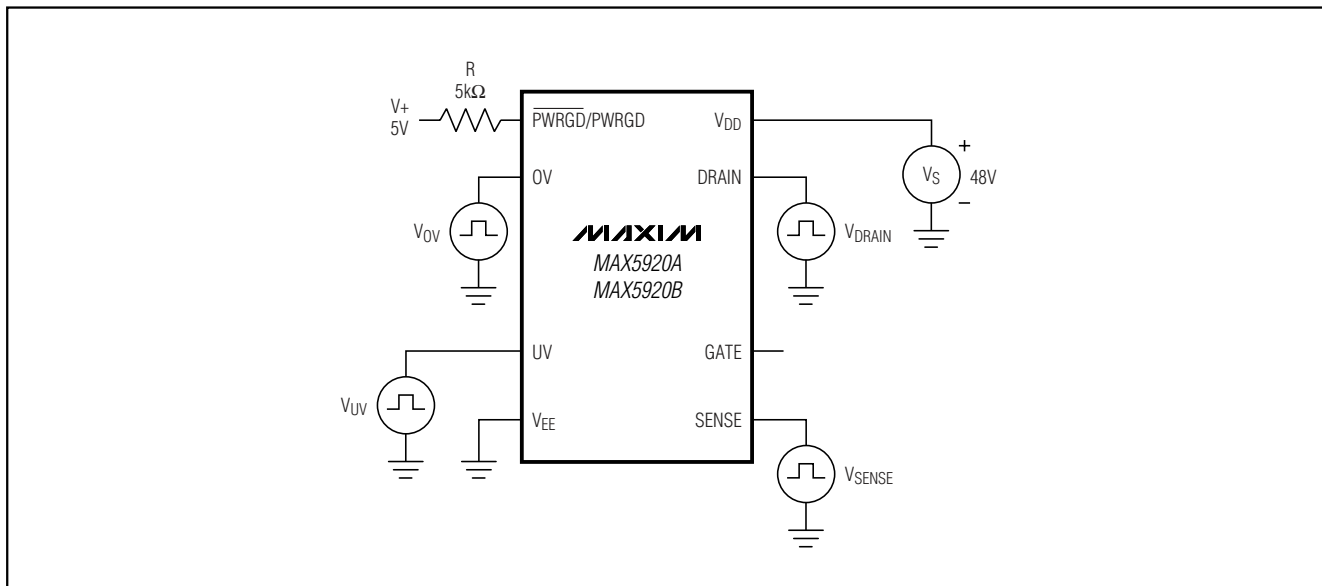


Figure 1a. Test Circuit 1

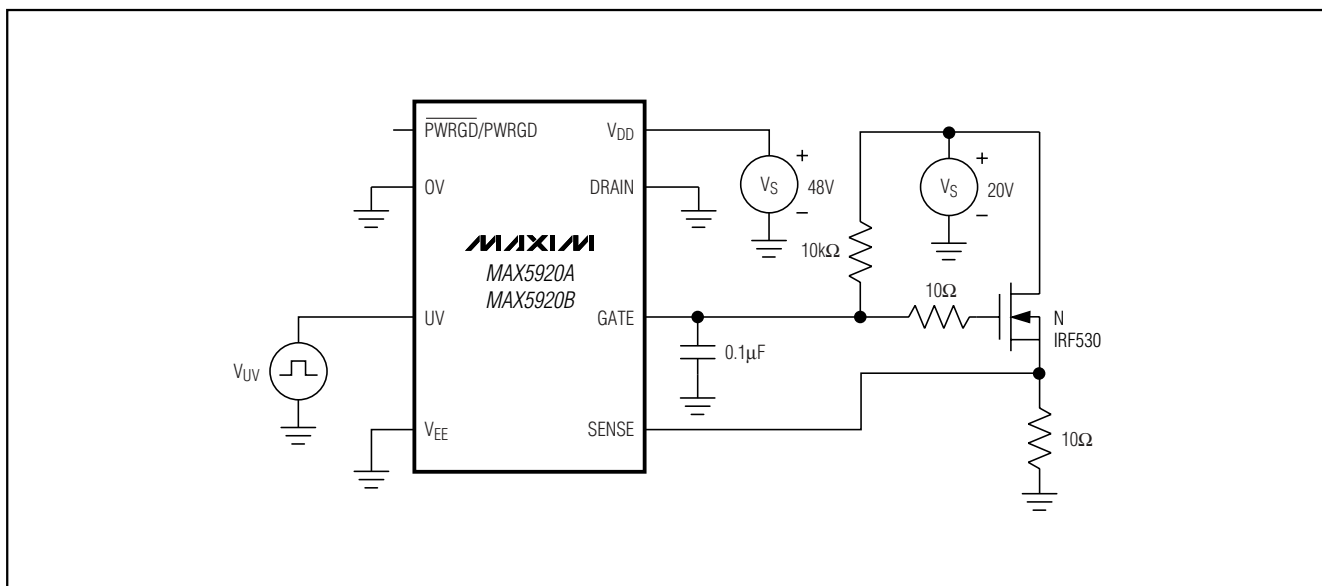


Figure 1b. Test Circuit 2

# -48V Hot-Swap Controller with External RSENSE

## Timing Diagrams

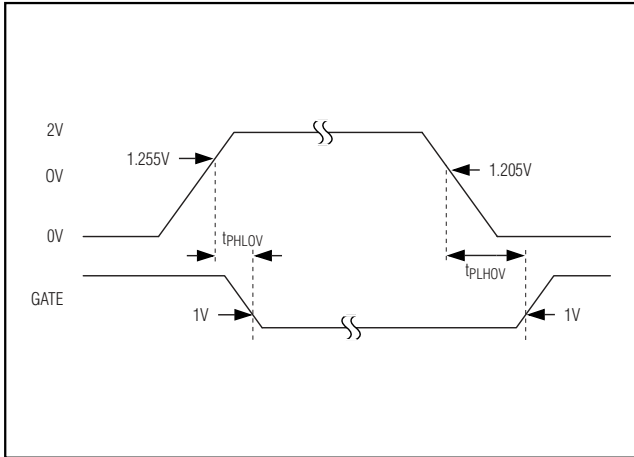


Figure 2. OV to GATE Timing

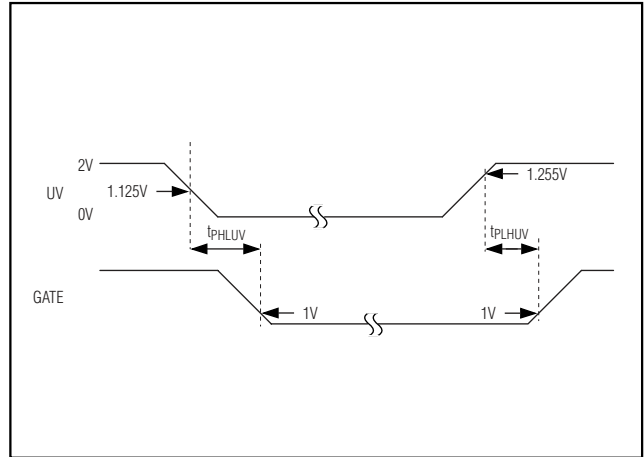


Figure 3. UV to GATE Timing

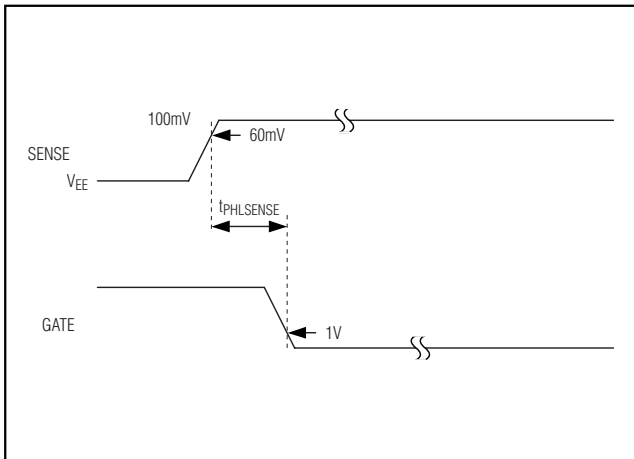


Figure 4a. SENSE to GATE Timing

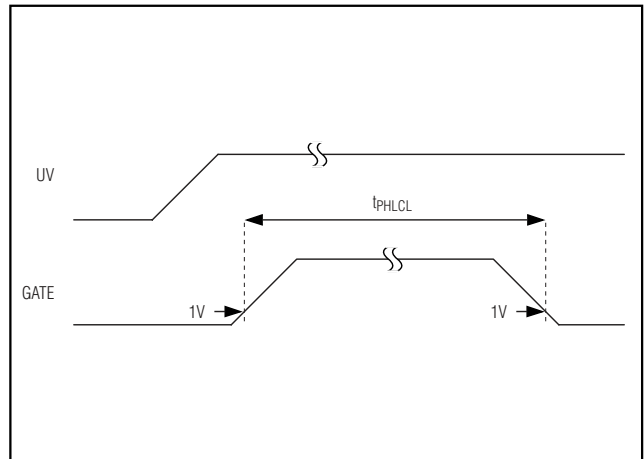


Figure 4b. Active Current-Limit Threshold

# -48V Hot-Swap Controller with External RSENSE

## Timing Diagrams (continued)

MAX5920

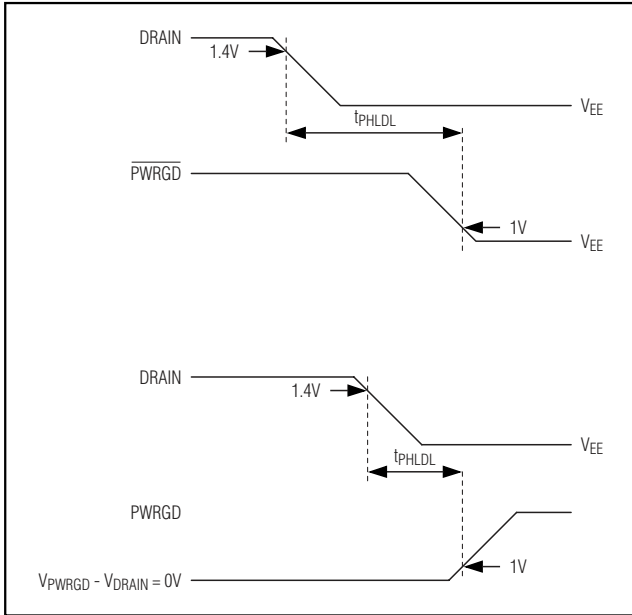


Figure 5a. DRAIN to PWRGD/PWRGD Timing

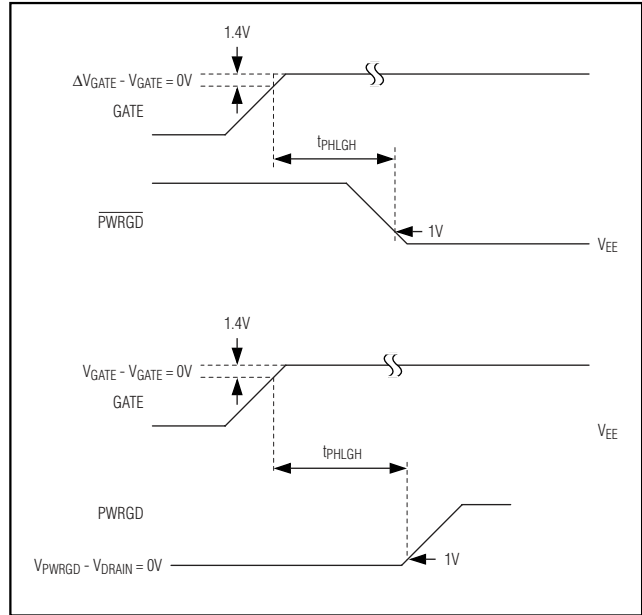
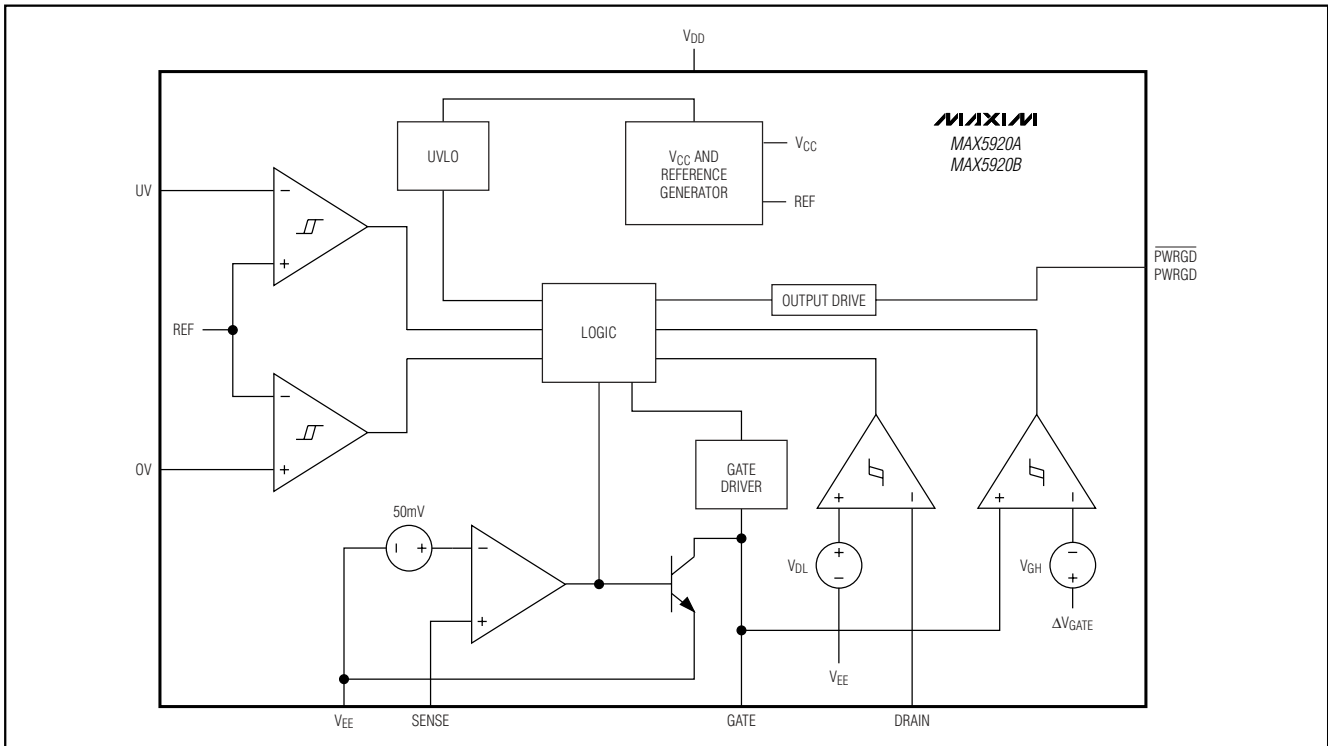


Figure 5b. GATE to PWRGD/PWRGD Timing

## Block Diagram



# -48V Hot-Swap Controller with External RSENSE

## Pin Description

PIN		NAME	FUNCTION
MAX5920A	MAX5920B		
1	—	$\overline{\text{PWRGD}}$	Power-Good Signal Output. $\overline{\text{PWRGD}}$ is an active-low open-drain status output referenced to $V_{EE}$ . $\overline{\text{PWRGD}}$ is latched low when $V_{\text{DRAIN}} - V_{EE} \leq V_{\text{DL}}$ and $V_{\text{GATE}} > (\Delta V_{\text{GATE}} - V_{\text{GH}})$ , indicating a power-good condition. $\overline{\text{PWRGD}}$ is open drain otherwise.
—	1	PWRGD	Power-Good Signal Output. PWRGD is an active-high open-drain status output referenced to DRAIN. PWRGD latches in a high-impedance state when $V_{\text{DRAIN}} - V_{EE} \leq V_{\text{DL}}$ and $V_{\text{GATE}} > (\Delta V_{\text{GATE}} - V_{\text{GH}})$ , indicating a power-good condition. PWRGD is pulled low to DRAIN otherwise.
2	2	OV	Input Pin for Overvoltage Detection. OV is referenced to $V_{EE}$ . When OV is pulled above $V_{\text{OVH}}$ voltage, the GATE pin is immediately pulled low. The GATE pin remains low until the OV pin voltage reduces to $V_{\text{OVL}}$ .
3	3	UV	Input Pin for Undervoltage Detection. UV is referenced to $V_{EE}$ . When UV is pulled above $V_{\text{UVH}}$ voltage, the GATE is enabled. When UV is pulled below $V_{\text{UVL}}$ , GATE is pulled low. UV is also used to reset the circuit breaker after a fault condition. To reset the circuit breaker, pull UV below $V_{\text{UVL}}$ . The reset command can be issued immediately after a fault condition; however, the device does not restart until a $t_{\text{OFF}}$ delay time has elapsed after the fault.
4	4	$V_{EE}$	Device Negative Power-Supply Input. Connect to the negative power-supply rail.
5	5	SENSE	Current-Sense Voltage Input. Connect to an external sense resistor and the external MOSFET source. The voltage drop across the external sense resistor is monitored to detect overcurrent or short-circuit fault conditions. Connect SENSE to $V_{EE}$ to disable the current-limiting feature.
6	6	GATE	Gate Drive Output. Connect to gate of the external N-channel MOSFET.
7	7	DRAIN	Output-Voltage Sense Input. Connect to the output-voltage node (drain of external N-channel MOSFET). Place the MAX5920_ so the DRAIN pin is close to the DRAIN of the external MOSFET for the best thermal protection.
8	8	$V_{\text{DD}}$	Positive Power-Supply Rail Input. This is the power ground in the negative-supply voltage system. Connect to the higher potential of the power-supply inputs.

### Detailed Description

The MAX5920A/MAX5920B are integrated hot-swap controllers for -48V power systems. They allow circuit boards to be safely hot plugged into a live backplane without causing a glitch on the power-supply rail. When circuit boards are inserted into a live backplane, the bypass capacitors at the input of the board's power module or switching power supply can draw large inrush currents as they charge. The inrush currents can cause glitches on the system power-supply rail and damage components on the board.

The MAX5920A/MAX5920B provide a controlled turn-on to circuit cards preventing glitches on the power-supply rail and damage to board connectors and components. Both the MAX5920A and MAX5920B provide undervoltage, overvoltage, and overcurrent protection. The MAX5920A/MAX5920B ensure the input voltage is stable and within tolerance before applying power to the load. The devices also provide protection against input voltage steps. During an input voltage step, the MAX5920A/MAX5920B limit the current drawn by the load to a safe level without turning off power to the load.



# -48V Hot-Swap Controller with External RSENSE

### Board Insertion

Figure 6a shows a typical hot-swap circuit for -48V systems. When the circuit board first makes contact with the backplane, the DRAIN to GATE capacitance ( $C_{gd}$ ) of Q1 pulls up the GATE voltage to roughly  $V_{EE} \times C_{gd} / (C_{gd} + C_{gs})$ . The MAX5920\_ features an internal dynamic clamp between GATE and  $V_{EE}$  to keep the gate-to-source voltage of Q1 low during hot insertion, preventing Q1 from passing an uncontrolled current to the load. For most applications, the internal clamp between GATE and  $V_{EE}$  of the MAX5920A/MAX5920B eliminates the need for an external gate-to-source capacitor. Resistor R3 limits the current into the clamp circuitry during card insertion.

### Power-Supply Ramping

The MAX5920A/MAX5920B can reside either on the backplane or the removable circuit board (Figure 6a). Power is delivered to the load by placing an external N-channel MOSFET pass transistor in the power-supply path.

After the circuit board is inserted into the backplane and the supply voltage at  $V_{EE}$  is stable and within the undervoltage and overvoltage tolerance, the MAX5920A/MAX5920B turn on Q1. The MAX5920A/MAX5920B gradually turn on the external MOSFET by charging the gate of Q1 with a  $45\mu A$  current source.

Capacitor C2 provides a feedback signal to accurately limit the inrush current. The inrush current can be calculated:

$$I_{INRUSH} = I_{PU} \times C_L / C_2$$

where  $C_L$  is the total load capacitance,  $C_3 + C_4$ , and  $I_{PU}$  is the MAX5920\_ gate pullup current.

Figure 6b shows the inrush current waveform. The current through C2 controls the GATE voltage. At the end of the DRAIN ramp, the GATE voltage is charged to its final value. The GATE-to-SENSE clamp limits the maximum  $V_{GS}$  to about 18V under any condition.

### Board Removal

If the circuit card is removed from the backplane, the voltage at the UV pin falls below the UVLO detect threshold, and the MAX5920\_ turns off the external MOSFET.

### Current Limit and Electronic Circuit Breaker

The MAX5920\_ provides current-limiting and circuit-breaker features that protect against excessive load current and short-circuit conditions. The load current is monitored by sensing the voltage across an external sense resistor connected between  $V_{EE}$  and SENSE.

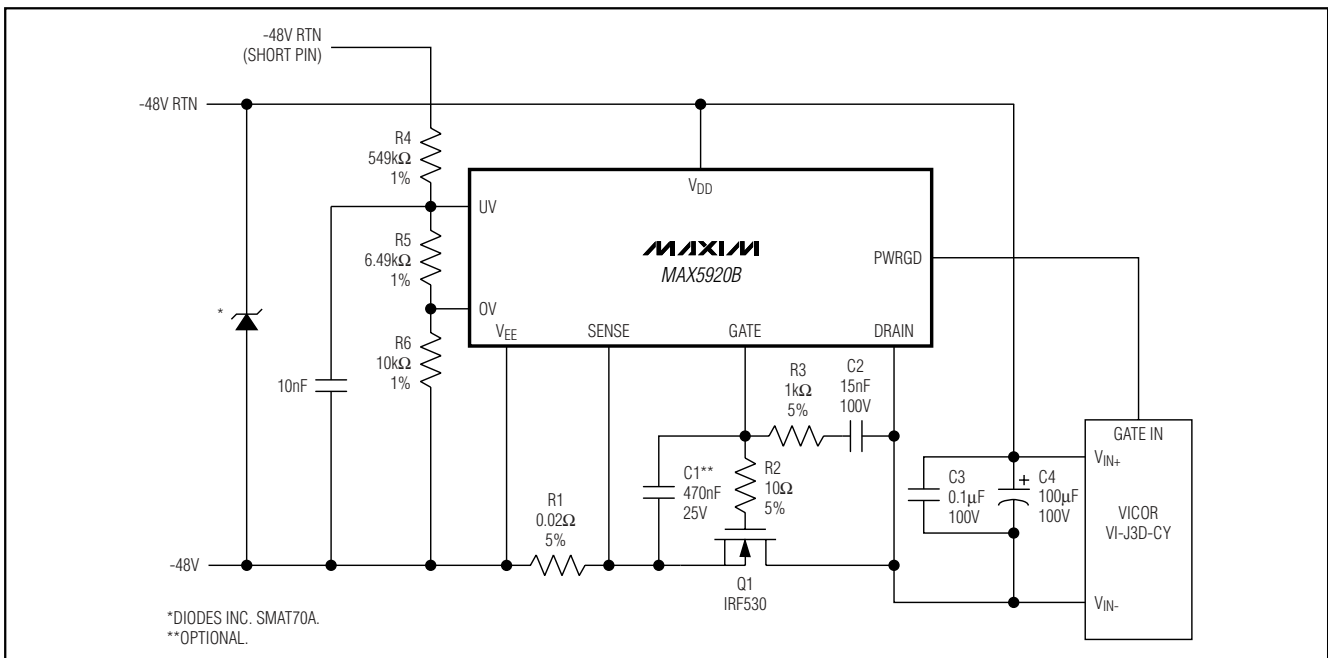


Figure 6a. Inrush Control Circuitry

## -48V Hot-Swap Controller with External RSENSE

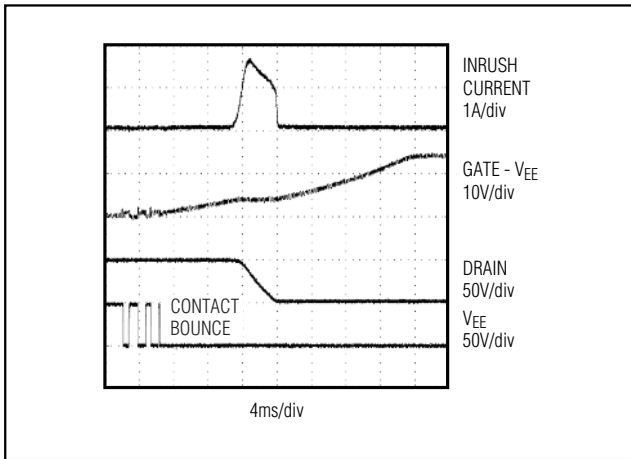


Figure 6b. Input Inrush Current

If the voltage between  $V_{EE}$  and SENSE reaches the current-limit trip voltage ( $V_{CL}$ ), the MAX5920\_ pulls down the GATE pin and regulates the current through the external MOSFET so  $V_{SENSE} - V_{EE} \leq V_{CL}$ . If the current drawn by the load drops below  $V_{CL} / R_{SENSE}$  limit, the GATE pin voltage rises again. However, if the load current is at the regulation limit of  $V_{CL} / R_{SENSE}$  for a period of  $t_{PHLCL}$ , the electronic circuit breaker trips, causing the MAX5920A/MAX5920B to turn off the external MOSFET.

After an overcurrent fault condition, the circuit breaker is reset by pulling the UV pin low and then pulling UV high or by cycling power to the MAX5920A/MAX5920B. Unless power is cycled to the MAX5920A/MAX5920B, the device waits until  $t_{OFF}$  has elapsed before turning on the gate of the external FET.

### Overcurrent Fault Integrator

The MAX5920\_ feature an overcurrent fault integrator. When an overcurrent condition exists, an internal digital counter increments its count. When the counter reaches  $500\mu s$  (the maximum current-limit duration) for the MAX5920\_, an overcurrent fault is generated. If the overcurrent fault does not last  $500\mu s$ , then the counter begins decrementing at a rate 128 (maximum current-limit duty cycle) times slower than the counter was incrementing. Repeated overcurrent conditions will generate a fault if duty cycle of the overcurrent condition is greater than  $1/128$ .

### Load-Current Regulation

The MAX5920A/MAX5920B accomplish load-current regulation by pulling current from the GATE pin whenever  $V_{SENSE} - V_{EE} > V_{CL}$  (see *Typical Operating Characteristics*). This decreases the gate-to-source

voltage of the external MOSFET, thereby reducing the load current. When  $V_{SENSE} - V_{EE} < V_{CL}$ , the MAX5920A/MAX5920B pull the GATE pin high by a  $45\mu A$  (IPU) current.

### Driving into a Shorted Load

In the event of a permanent short-circuit condition, the MAX5920A/MAX5920B limit the current drawn by the load to  $V_{CL} / R_{SENSE}$  for a period of  $t_{PHLCL}$ , after which the circuit breaker trips. Once the circuit breaker trips, the GATE of the external FET is pulled low by 50mA (IPD) turning off power to the load.

### Immunity to Input Voltage Steps

The MAX5920A/MAX5920B guard against input voltage steps on the input supply. A rapid increase in the input supply voltage ( $V_{DD} - V_{EE}$  increasing) causes a current step equal to  $I = C_L \times \Delta V_{IN} / \Delta T$ , proportional to the input voltage slew rate ( $\Delta V_{IN} / \Delta T$ ). If the load current exceeds  $V_{CL} / R_{SENSE}$  during an input voltage step, the MAX5920A/MAX5920B current limit activates, pulling down the gate voltage and limiting the load current to  $V_{CL} / R_{SENSE}$ . The DRAIN voltage ( $V_{DRAIN}$ ) then slews at a slower rate than the input voltage. As the drain voltage starts to slew down, the drain-to-gate feedback capacitor  $C_2$  pushes back on the gate, reducing the gate-to-source voltage ( $V_{GS}$ ) and the current through the external MOSFET. Once the input supply reaches its final value, the DRAIN slew rate (and therefore the inrush current) is limited by the capacitor  $C_2$  just as it is limited in the startup condition. To ensure correct operation,  $R_{SENSE}$  must be chosen to provide a current limit larger than the sum of the load current and the dynamic current into the load capacitance in the slewing mode.

If the load current plus the capacitive charging current is below the current limit, the circuit breaker does not trip.

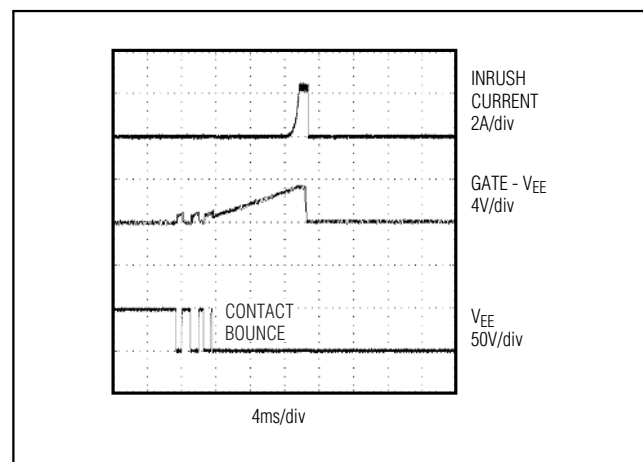


Figure 7a. Startup Into a Short Circuit

# -48V Hot-Swap Controller with External RSENSE

MAX5920

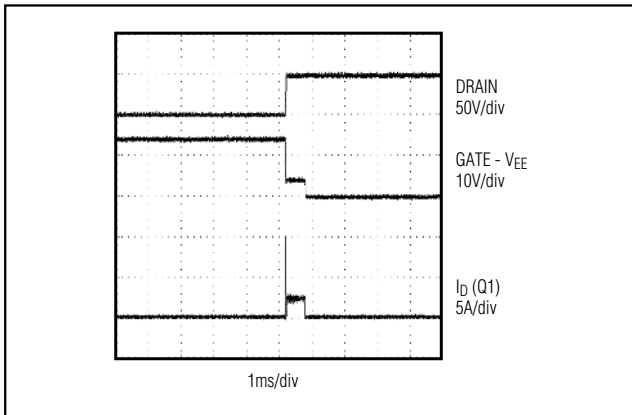


Figure 7b. Short-Circuit Protection Waveform

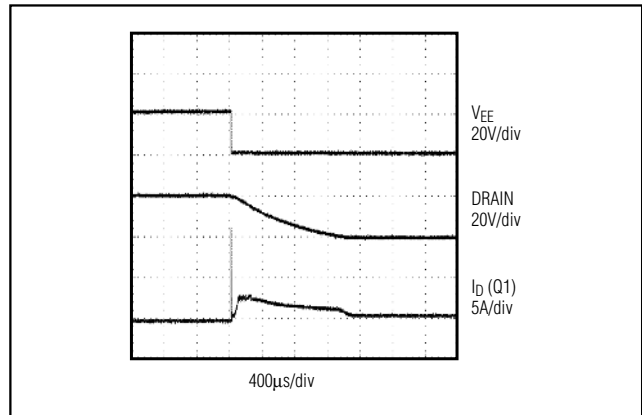


Figure 8. Voltage Step-On Input Supply

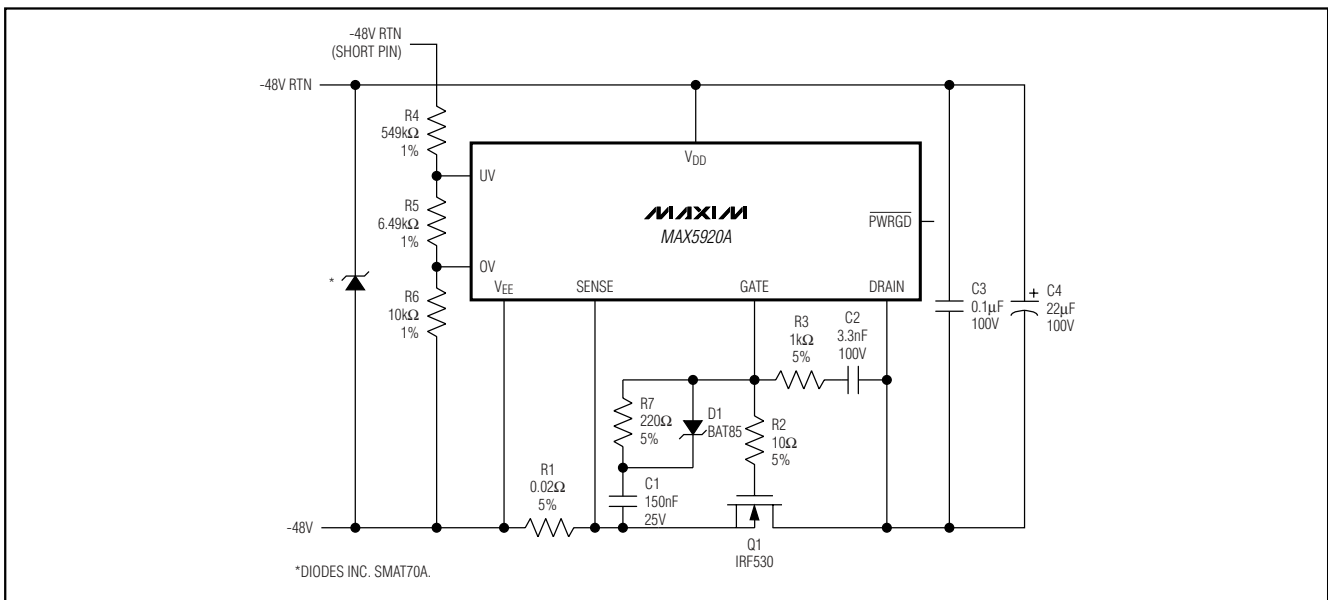


Figure 9. Circuit for Input Steps with Small C1

For C2 values less than 10nF, a positive voltage step on the input supply can result in Q1 turning off momentarily, which can shut down the output. By adding an additional resistor and diode, Q1 remains on during the voltage step. This is shown as D1 and R7 in Figure 9. The purpose of D1 is to shunt current around R7 when the power pins first make contact and allow C1 to hold the GATE low. The value of R7 should be sized to generate an  $R7 \times C1$  time constant of 33µs.

## Undervoltage and Overvoltage Protection

The UV and OV pins can be used to detect undervoltage and overvoltage conditions. The UV and OV pins are

internally connected to analog comparators with 130mV (UV) and 50mV (OV) of hysteresis. When the UV voltage falls below its threshold or the OV voltage rises above its threshold, the GATE pin is immediately pulled low. The GATE pin is held low until UV goes high and OV is low, indicating that the input supply voltage is within specification. The MAX5920\_ includes an internal lockout (UVLO) that keeps the external MOSFET off until the input supply voltage exceeds 15.4V, regardless of the UV input.

The UV pin is also used to reset the circuit breaker after a fault condition has occurred. The UV pin can be pulled below  $V_{UVL}$  to reset the circuit breaker.

# -48V Hot-Swap Controller with External RSENSE

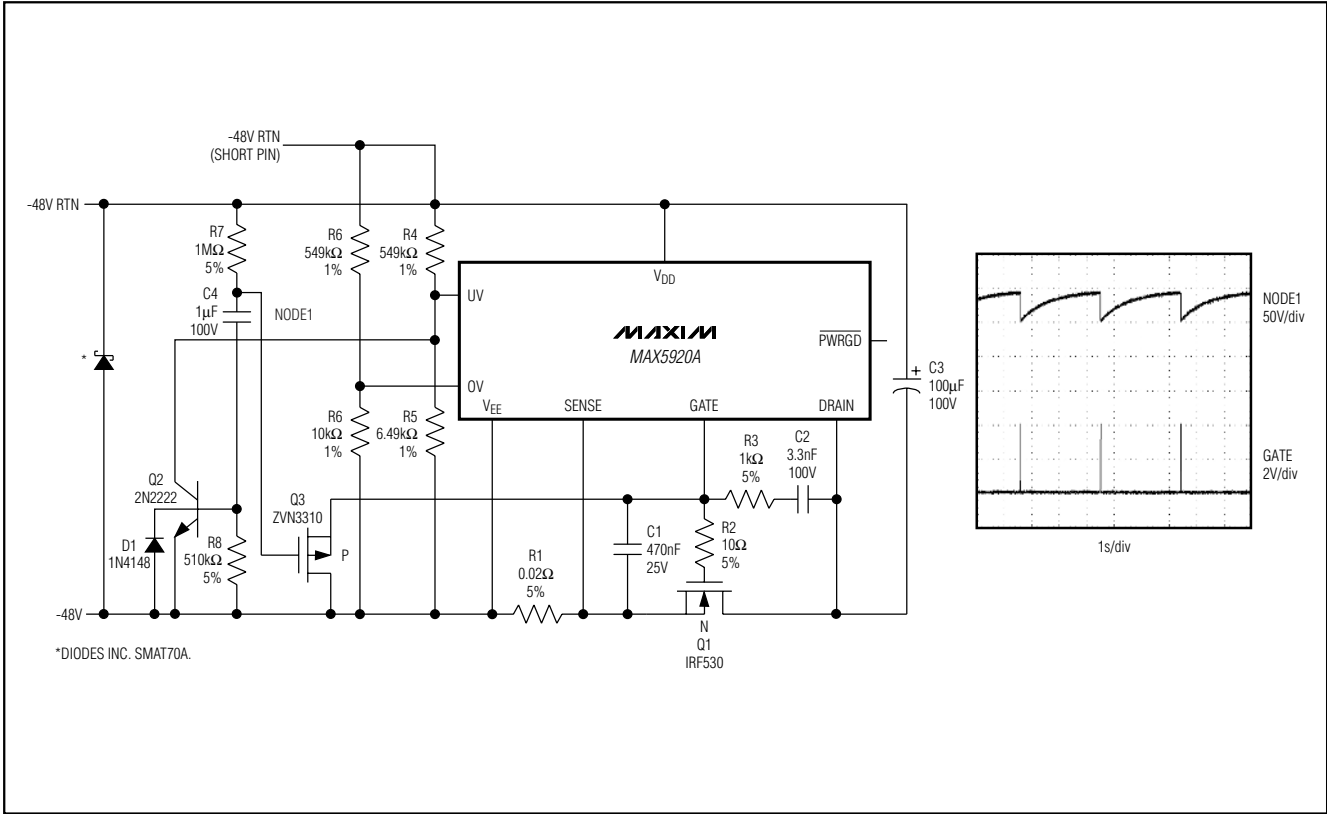


Figure 10. Automatic Restart After Current Fault

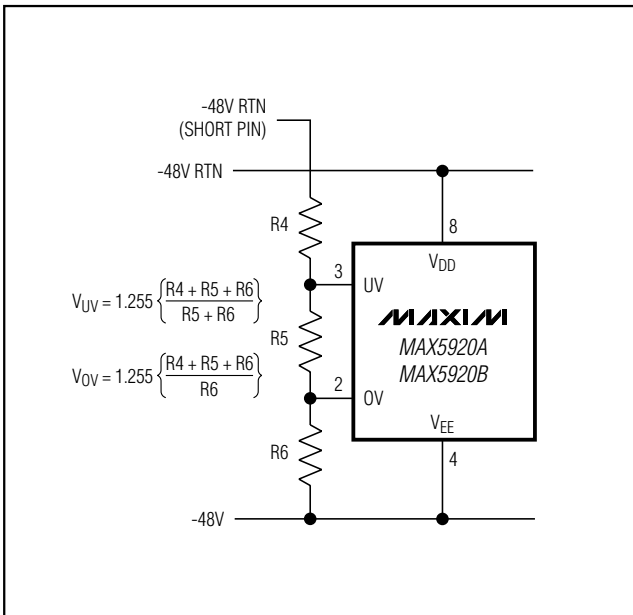


Figure 11. Undervoltage and Overvoltage Sensing

Figure 11 shows how to program the undervoltage and overvoltage trip thresholds using three resistors. With  $R4 = 549k\Omega$ ,  $R5 = 6.49k\Omega$ , and  $R6 = 10k\Omega$ , the undervoltage threshold is set to 38.5V (with a 43V release from undervoltage), and the overvoltage is set to 71V. The resistor-divider also increases the hysteresis and overvoltage lockout to 4.5V and 2.8V at the input supply, respectively.

### PWRGD/PWRGD Output

The  $\overline{\text{PWRGD}}$  (PWRGD) output can be used directly to enable a power module after hot insertion. The MAX5920A (PWRGD) can be used to enable modules with an active-low enable input (Figure 13), while the MAX5920B (PWRGD) is used to enable modules with an active-high enable input (Figure 12).

The PWRGD signal is referenced to the DRAIN terminal, which is the negative supply of the power module. The  $\overline{\text{PWRGD}}$  signal is referenced to  $V_{EE}$ .

When the DRAIN voltage of the MAX5920A is high with respect to  $V_{EE}$  or the GATE voltage is low, the internal pulldown MOSFET Q2 is off and the PWRGD pin is in a high-impedance state (Figure 13). The  $\overline{\text{PWRGD}}$  pin is





# -48V Hot-Swap Controller with External RSENSE

## Applications Information

### Sense Resistor

The circuit-breaker current-limit threshold is set to 50mV (typically). Select a sense resistor that causes a drop equal to or above the current-limit threshold at a current level above the maximum normal operating current. Typically, set the overload current to 1.5 to 2.0 times the nominal load current plus the load-capacitance charging current during startup. Choose the sense resistor power rating to be greater than  $(V_{CL})^2 / R_{SENSE}$ .

### Component Selection Procedure

- Determine load capacitance:  
 $C_L = C_2 + C_3 + \text{module input capacitance}$
- Determine load current,  $I_{LOAD}$ .
- Select circuit-breaker current, for example:

$$I_{CB} = 2 \times I_{LOAD}$$

- Calculate RSENSE:

$$R_{SENSE} = \frac{50\text{mV}}{I_{CB}}$$

Realize that  $I_{CB}$  varies  $\pm 20\%$  due to trip-voltage tolerance.

- Set allowable inrush current:

$$I_{INRUSH} \leq 0.8 \times \frac{40\text{mV}}{R_{SENSE}} - I_{LOAD} \text{ or}$$

$$I_{INRUSH} + I_{LOAD} \leq 0.8 \times I_{CB(MIN)}$$

- Determine value of C2:

$$C_2 = \frac{45\mu\text{A} \times C_L}{I_{INRUSH}}$$

- Calculate value of C1:

$$C_1 = (C_2 + C_{gd}) \times \left( \frac{V_{IN(MAX)} - V_{GS(TH)}}{V_{GS(TH)}} \right)$$

- Determine value of R3:

$$R_3 \leq \frac{150\mu\text{s}}{C_2} \text{ (typically } 1\text{k}\Omega\text{)}$$

- Set  $R_2 = 10\Omega$ .

- If an optocoupler is utilized as in Figure 14, determine the LED series resistor:

$$R_7 = \frac{V_{IN(NOMINAL)} - 2\text{V}}{3\text{mA} \leq I_{LED} \leq 5\text{mA}}$$

Although the suggested optocoupler is not specified for operation below 5mA, its performance is adequate for 36V temporary low-line voltage where LED current would then be  $\approx 2.2\text{mA}$  to  $3.7\text{mA}$ . If  $R_7$  is set as high as  $51\text{k}\Omega$ , optocoupler operation should be verified over the expected temperature and input voltage range to ensure suitable operation when LED current  $\approx 0.9\text{mA}$  for 48V input and  $\approx 0.7\text{mA}$  for 36V input.

If input transients are expected to momentarily raise the input voltage to  $>100\text{V}$ , select an input transient-voltage-suppression diode (TVS) to limit maximum voltage on the MAX5920 to less than 100V. A suitable device is the Diodes Inc. SMAT70A telecom-specific TVS.

Select Q1 to meet supply voltage, load current, efficiency, and Q1 package power-dissipation requirements:

$$BV_{DSS} \geq 100\text{V}$$

$$I_{D(ON)} \geq 3 \times I_{LOAD}$$

$$\text{DPAK, D}^2\text{PAK, or TO-220AB}$$

The lowest practical  $R_{DS(ON)}$ , within budget constraints and with values from  $14\text{m}\Omega$  to  $540\text{m}\Omega$ , are available at 100V breakdown.

Ensure that the temperature rise of Q1 junction is not excessive at normal load current for the package selected. Ensure that  $I_{CB}$  current during voltage transients does not exceed allowable transient-safe operating-area limitations. This is determined from the SOA and transient-thermal-resistance curves in the Q1 manufacturer's data sheet.

Example 1:

$I_{LOAD} = 2.5\text{A}$ , efficiency = 98%, then  $V_{DS} = 0.96\text{V}$  is acceptable, or  $R_{DS(ON)} \leq 384\text{m}\Omega$  at operating temperature is acceptable. An IRL520NS 100V NMOS with  $R_{DS(ON)} \leq 180\text{m}\Omega$  and  $I_{D(ON)} = 10\text{A}$  is available in  $\text{D}^2\text{PAK}$ . (A Vishay Siliconix SUD40N10-25 100V NMOS with  $R_{DS(ON)} \leq 25\text{m}\Omega$  and  $I_{D(ON)} = 40\text{A}$  is available in DPAK, but may be more costly because of a larger die size).

Using the IRL520NS,  $V_{DS} \leq 0.625\text{V}$  even at  $+80^\circ\text{C}$  so efficiency  $\geq 98.6\%$  at  $80^\circ\text{C}$ .  $P_D \leq 1.56\text{W}$  and junction temperature rise above case temperature would be  $5^\circ\text{C}$  due to the package  $\theta_{JC} = 3.1^\circ\text{C/W}$  thermal resistance. Of course, using the SUD40N10-25 would yield an efficiency greater than 99.8% to compensate for the increased cost.

## -48V Hot-Swap Controller with External RSENSE

If  $I_{CB}$  is set to twice  $I_{LOAD}$ , or 5A,  $V_{DS}$  momentarily doubles to  $\leq 1.25V$ . If  $C_{OUT} = 4000\mu F$ , transient-line input voltage is  $\Delta 36V$ , the 5A charging-current pulse is:

$$t = \frac{4000\mu F \times 1.25V}{5A} = 1ms$$

Entering the data sheet transient-thermal-resistance curves at 1ms provides a  $\theta_{JC} = 0.9^{\circ}C/W$ .  $P_D = 6.25W$ , so  $\Delta t_{JC} = 5.6^{\circ}C$ . Clearly, this is not a problem.

Example 2:

$I_{LOAD} = 10A$ , efficiency = 98%, allowing  $V_{DS} = 0.96V$  but  $R_{DS(ON)} \leq 96m\Omega$ . An IRL530 in a D<sup>2</sup>PAK exhibits  $R_{DS(ON)} \leq 90m\Omega$  at  $+25^{\circ}C$  and  $\leq 135m\Omega$  at  $+80^{\circ}C$ . Power dissipation is 9.6W at  $+25^{\circ}C$  or 14.4W at  $+80^{\circ}C$ . Junction-to-case thermal resistance is  $1.9W/^{\circ}C$ , so the junction temperature rise would be approximately  $5^{\circ}C$  above the  $+25^{\circ}C$  case temperature. For higher efficiency, consider IRL540NS with  $R_{DS(ON)} \leq 44m\Omega$ . This allows  $\eta = 99%$ ,  $P_D \leq 4.4W$ , and  $T_{JC} = +4^{\circ}C$  ( $\theta_{JC} = 1.1^{\circ}C/W$ ) at  $+25^{\circ}C$ .

Thermal calculations for the transient condition yield  $I_{CB} = 20A$ ,  $V_{DS} = 1.8V$ ,  $t = 0.5ms$ , transient  $\theta_{JC} = 0.12^{\circ}C/W$ ,  $P_D = 36W$  and  $\Delta t_{JC} = 4.3^{\circ}C$ .

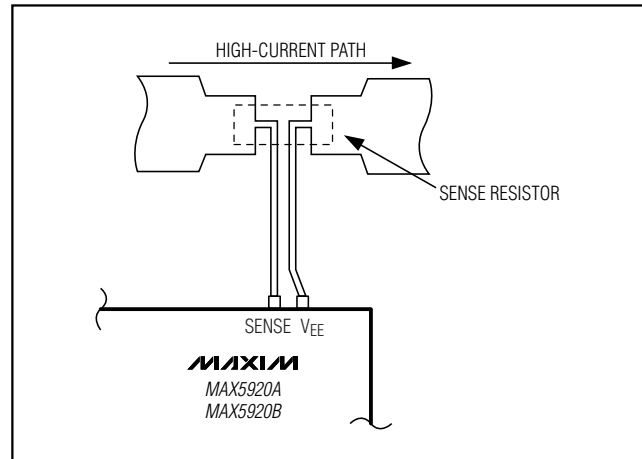


Figure 15. Recommended Layout for Kelvin-Sensing Current Through Sense Resistor

### Layout Guidelines

Good thermal contact between the MAX5920A/MAX5920B and the external MOSFET is essential for the thermal-shutdown feature to operate effectively. Place the MAX5920A/MAX5920B as close as possible to the drain of the external MOSFET and use wide circuit-board traces for good heat transfer (see Figure 15).

### Selector Guide

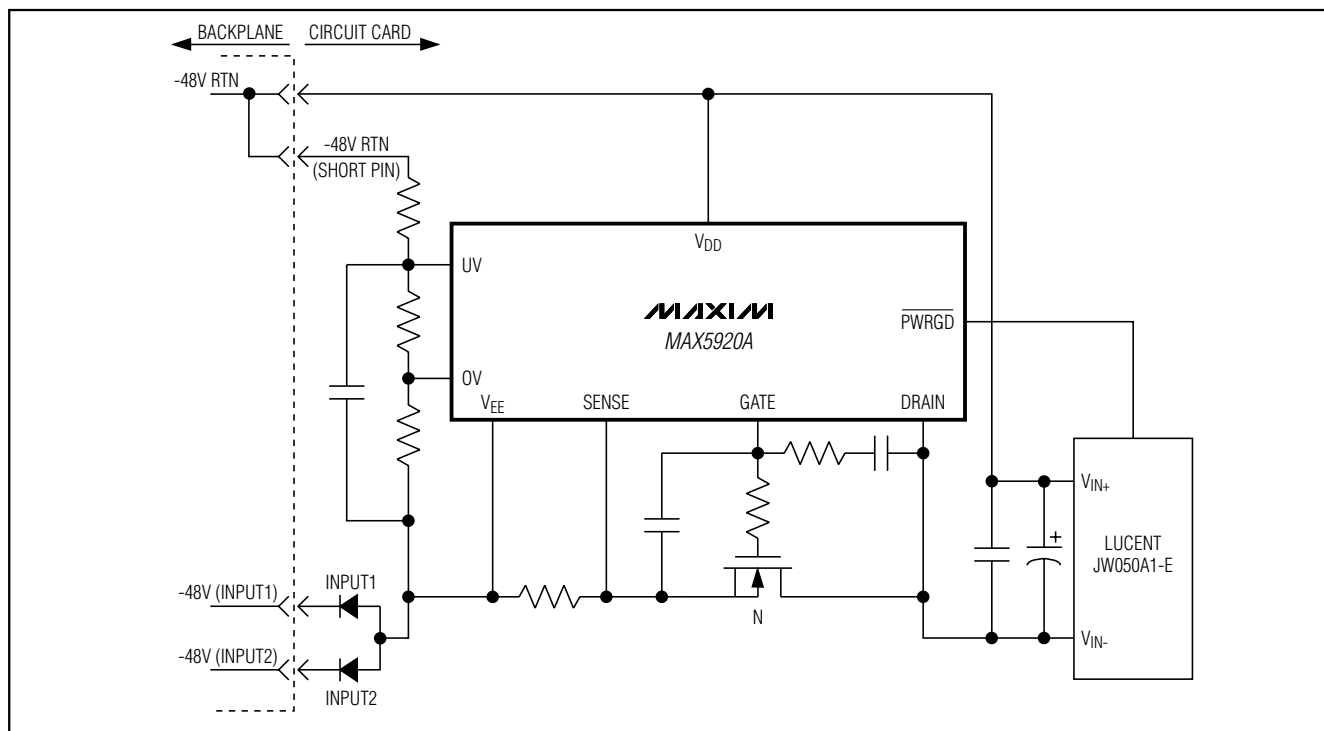
PART	PWRGD POLARITY	FAULT MANAGEMENT
MAX5920AESA	Active low ( $\overline{PWRGD}$ )	Latched
MAX5920BESA	Active high (PWRGD)	Latched



# -48V Hot-Swap Controller with External RSENSE

## Typical Operating Circuit

MAX5920



### Chip Information

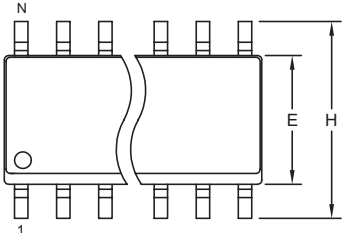
TRANSISTOR COUNT: 2645

PROCESS: BiCMOS

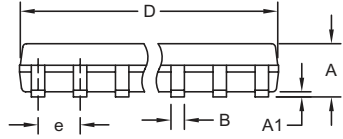
# -48V Hot-Swap Controller with External RSENSE

## Package Information

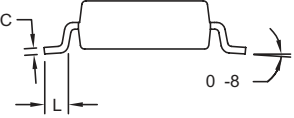
(The package drawing(s) in this data sheet may not reflect the most current specifications. For the latest package outline information, go to [www.maxim-ic.com/packages](http://www.maxim-ic.com/packages).)



**TOP VIEW**



**FRONT VIEW**



**SIDE VIEW**


**NOTES:**

1. D&E DO NOT INCLUDE MOLD FLASH.
2. MOLD FLASH OR PROTRUSIONS NOT TO EXCEED 0.15mm (.006").
3. LEADS TO BE COPLANAR WITHIN 0.10mm (.004").
4. CONTROLLING DIMENSION: MILLIMETERS.
5. MEETS JEDEC MS012.
6. N = NUMBER OF PINS.

DIM	INCHES		MILLIMETERS	
	MIN	MAX	MIN	MAX
A	0.053	0.069	1.35	1.75
A1	0.004	0.010	0.10	0.25
B	0.014	0.019	0.35	0.49
C	0.007	0.010	0.19	0.25
e	0.050 BSC		1.27 BSC	
E	0.150	0.157	3.80	4.00
H	0.228	0.244	5.80	6.20
L	0.016	0.050	0.40	1.27

VARIATIONS:

DIM	INCHES		MILLIMETERS		N	MS012
	MIN	MAX	MIN	MAX		
D	0.189	0.197	4.80	5.00	8	AA
D	0.337	0.344	8.55	8.75	14	AB
D	0.386	0.394	9.80	10.00	16	AC



PROPRIETARY INFORMATION

TITLE:  
PACKAGE OUTLINE, .150" SOIC

APPROVAL	DOCUMENT CONTROL NO. 21-0041	REV. B	1/1
----------	---------------------------------	-----------	-----

SOICN.EPS

Maxim cannot assume responsibility for use of any circuitry other than circuitry entirely embodied in a Maxim product. No circuit patent licenses are implied. Maxim reserves the right to change the circuitry and specifications without notice at any time.

18 \_\_\_\_\_ **Maxim Integrated Products, 120 San Gabriel Drive, Sunnyvale, CA 94086 408-737-7600**

SITE  
SEARCHPART NO.  
SEARCH

WHAT'S NEW

PRODUCTS

SOLUTIONS

DESIGN

APPNOTES

SUPPORT

BUY

COMPANY

MEMBERS

[Maxim](#) > [Products](#) > [Hot-Swap and Power Switching](#)

# MAX5920

-48V Hot-Swap Controller with External Rsense

## Hot-Swap Controller with External R<sub>SENSE</sub> Well-Suited for -48V Power Systems

[QuickView](#)[Technical Documents](#)[Ordering Info](#)[More Information](#)[All](#)

### Ordering Information

#### Notes:

1. Other options and links for purchasing parts are listed at: <http://www.maxim-ic.com/sales>.
2. [Didn't Find What You Need?](#) Ask our applications engineers. Expert assistance in finding parts, usually within one business day.
3. Part number suffixes: T or T&R = tape and reel; + = RoHS/lead-free; # = RoHS/lead-exempt. More: See [Full Data Sheet](#) or [Part Naming Conventions](#).
4. \* Some packages have variations, listed on the drawing. "PkgCode/Variation" tells which variation the product uses.

#### Devices: 1-18 of 18

MAX5920	Free Sample	Buy	Package: TYPE PINS FOOTPRINT DRAWING CODE/VAR *	Temp	RoHS/Lead-Free? Materials Analysis
MAX5920AESA			SOIC;8 pin;31 mm Dwg: <a href="#">21-0041B</a> (PDF) Use pkgcode/variation: S8-5*	-40C to +85C	RoHS/Lead-Free: <a href="#">No Materials Analysis</a>
MAX5920CESA+			SOIC;8 pin;31 mm Dwg: <a href="#">21-0041B</a> (PDF) Use pkgcode/variation: S8+5*	-40C to +85C	RoHS/Lead-Free: <a href="#">Lead Free Materials Analysis</a>
MAX5920BESA+T			SOIC;8 pin;31 mm Dwg: <a href="#">21-0041B</a> (PDF) Use pkgcode/variation: S8+5*	-40C to +85C	RoHS/Lead-Free: <a href="#">Lead Free Materials Analysis</a>
MAX5920BESA+			SOIC;8 pin;31 mm Dwg: <a href="#">21-0041B</a> (PDF) Use pkgcode/variation: S8+5*	-40C to +85C	RoHS/Lead-Free: <a href="#">Lead Free Materials Analysis</a>
MAX5920AESA+T			SOIC;8 pin;31 mm Dwg: <a href="#">21-0041B</a> (PDF) Use pkgcode/variation: S8+5*	-40C to +85C	RoHS/Lead-Free: <a href="#">Lead Free Materials Analysis</a>
MAX5920AESA+			SOIC;8 pin;31 mm Dwg: <a href="#">21-0041B</a> (PDF) Use pkgcode/variation: S8+5*	-40C to +85C	RoHS/Lead-Free: <a href="#">Lead Free Materials Analysis</a>
MAX5920FESA-T			SOIC;8 pin;31 mm Dwg: <a href="#">21-0041B</a> (PDF) Use pkgcode/variation: S8-5*	-40C to +85C	RoHS/Lead-Free: <a href="#">See data sheet Materials Analysis</a>
MAX5920FESA			SOIC;8 pin;31 mm Dwg: <a href="#">21-0041B</a> (PDF) Use pkgcode/variation: S8-5*	-40C to +85C	RoHS/Lead-Free: <a href="#">See data sheet Materials Analysis</a>
MAX5920EESA-T			SOIC;8 pin;31 mm Dwg: <a href="#">21-0041B</a> (PDF) Use pkgcode/variation: S8-5*	-40C to +85C	RoHS/Lead-Free: <a href="#">No Materials Analysis</a>
MAX5920EESA			SOIC;8 pin;31 mm Dwg: <a href="#">21-0041B</a> (PDF) Use pkgcode/variation: S8-5*	-40C to +85C	RoHS/Lead-Free: <a href="#">No Materials Analysis</a>
MAX5920DESA-T			SOIC;8 pin;31 mm Dwg: <a href="#">21-0041B</a> (PDF) Use pkgcode/variation: S8-5*	-40C to +85C	RoHS/Lead-Free: <a href="#">See data sheet Materials Analysis</a>
MAX5920DESA			SOIC;8 pin;31 mm Dwg: <a href="#">21-0041B</a> (PDF) Use pkgcode/variation: S8-5*	-40C to +85C	RoHS/Lead-Free: <a href="#">See data sheet Materials Analysis</a>

MAX5920CESA-T			SOIC;8 pin;31 mm Dwg: <a href="#">21-0041B (PDF)</a> Use pkgcode/variation: S8-5*	-40C to +85C	RoHS/Lead-Free: <a href="#">No Materials Analysis</a>
MAX5920CESA			SOIC;8 pin;31 mm Dwg: <a href="#">21-0041B (PDF)</a> Use pkgcode/variation: S8-5*	-40C to +85C	RoHS/Lead-Free: <a href="#">No Materials Analysis</a>
MAX5920BESA-T			SOIC;8 pin;31 mm Dwg: <a href="#">21-0041B (PDF)</a> Use pkgcode/variation: S8-5*	-40C to +85C	RoHS/Lead-Free: <a href="#">No Materials Analysis</a>
MAX5920BESA			SOIC;8 pin;31 mm Dwg: <a href="#">21-0041B (PDF)</a> Use pkgcode/variation: S8-5*	-40C to +85C	RoHS/Lead-Free: <a href="#">No Materials Analysis</a>
MAX5920AESA-T			SOIC;8 pin;31 mm Dwg: <a href="#">21-0041B (PDF)</a> Use pkgcode/variation: S8-5*	-40C to +85C	RoHS/Lead-Free: <a href="#">No Materials Analysis</a>
MAX5920CESA+T			SOIC;8 pin;31 mm Dwg: <a href="#">21-0041B (PDF)</a> Use pkgcode/variation: S8+5*	-40C to +85C	RoHS/Lead-Free: <a href="#">Lead Free Materials Analysis</a>

### Didn't Find What You Need?

- [Next Day Product Selection Assistance from Applications Engineers](#)
- [Parametric Search](#)
- [Applications Help](#)

#### QuickView

[Description](#)  
[Key Features](#)  
[Applications/Uses](#)  
[Key Specifications](#)  
[Diagram](#)

#### Technical Documents

[Data Sheet](#)  
[Application Notes](#)  
[Design Guides](#)  
[Engineering Journals](#)  
[Reliability Reports](#)  
[Software/Models](#)  
[Evaluation Kits](#)

#### Ordering Info

[Price and Availability](#)  
[Samples](#)  
[Buy Online](#)  
[Package Information](#)  
[Lead-Free Information](#)

#### More Information

[Related Products](#)  
[Notes and Comments](#)  
[Evaluation Kits](#)

Document Ref.: 19-2931; Rev 0; 2003-09-17  
This page last modified: 2007-08-13

[CONTACT US: SEND US AN EMAIL](#)