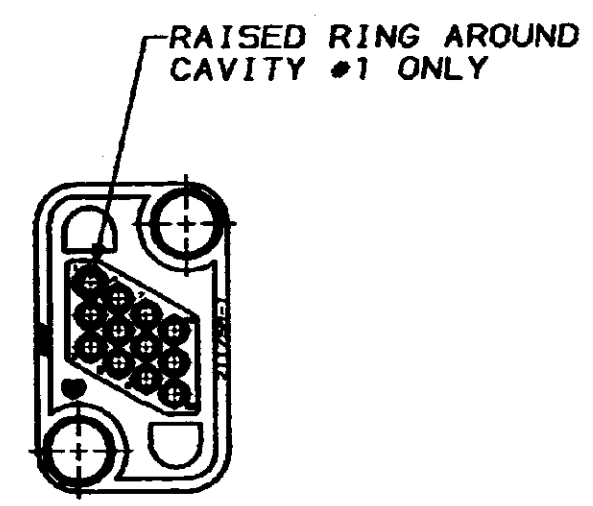
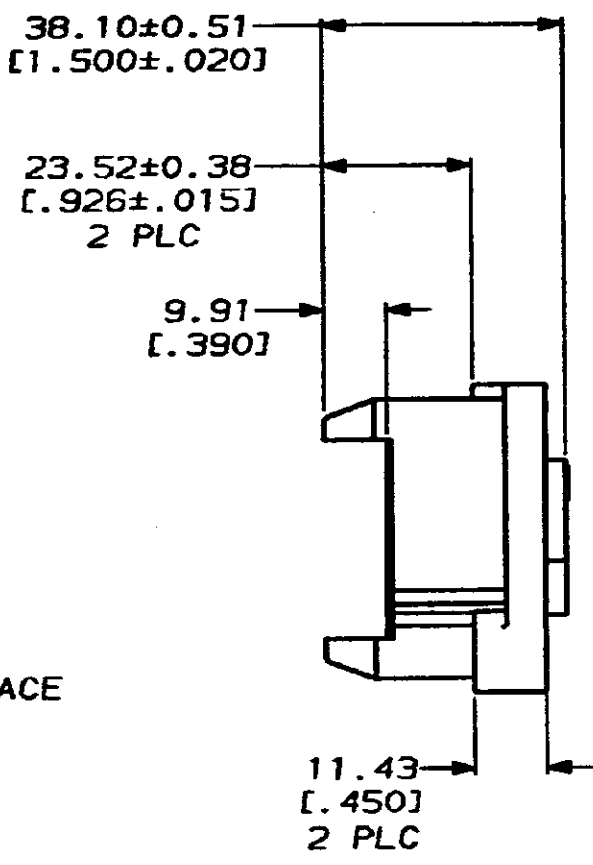
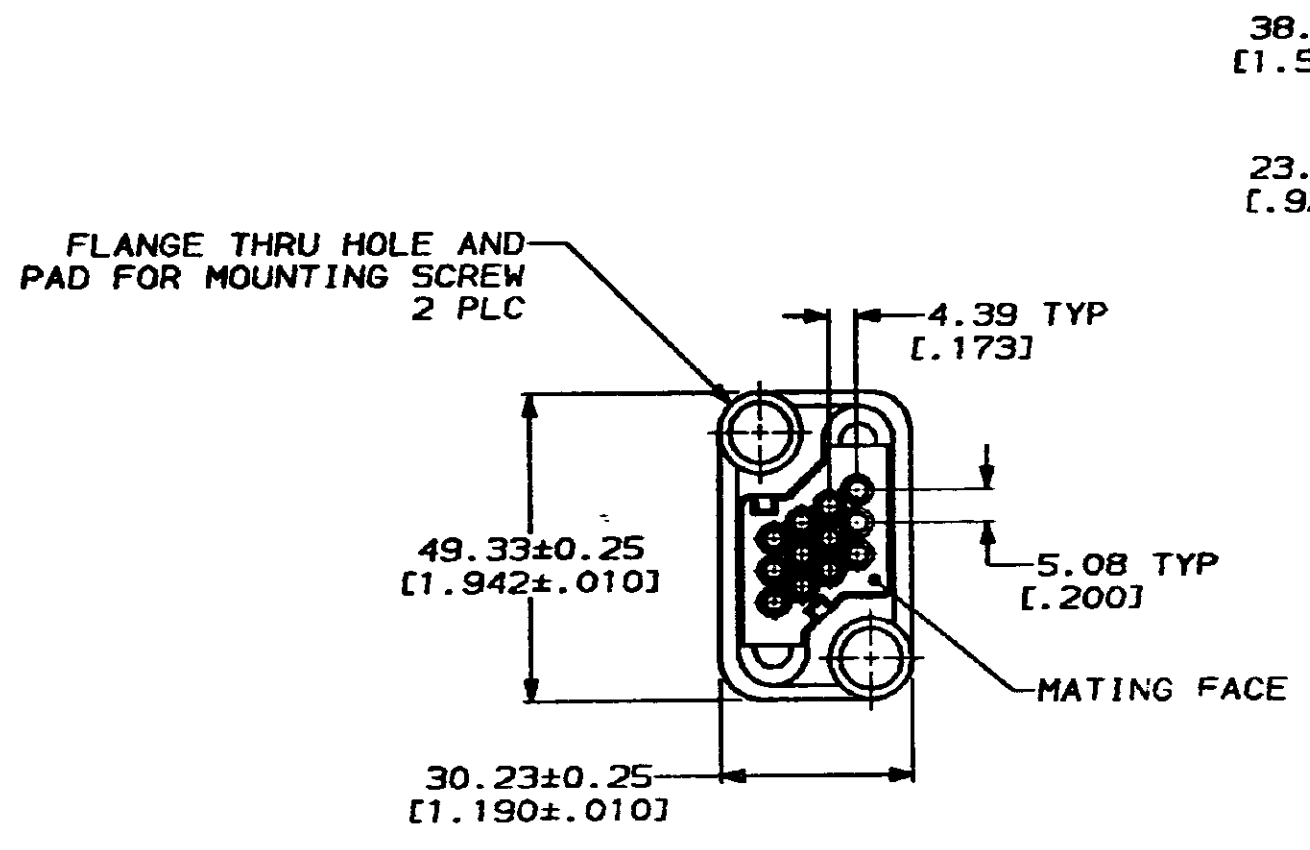
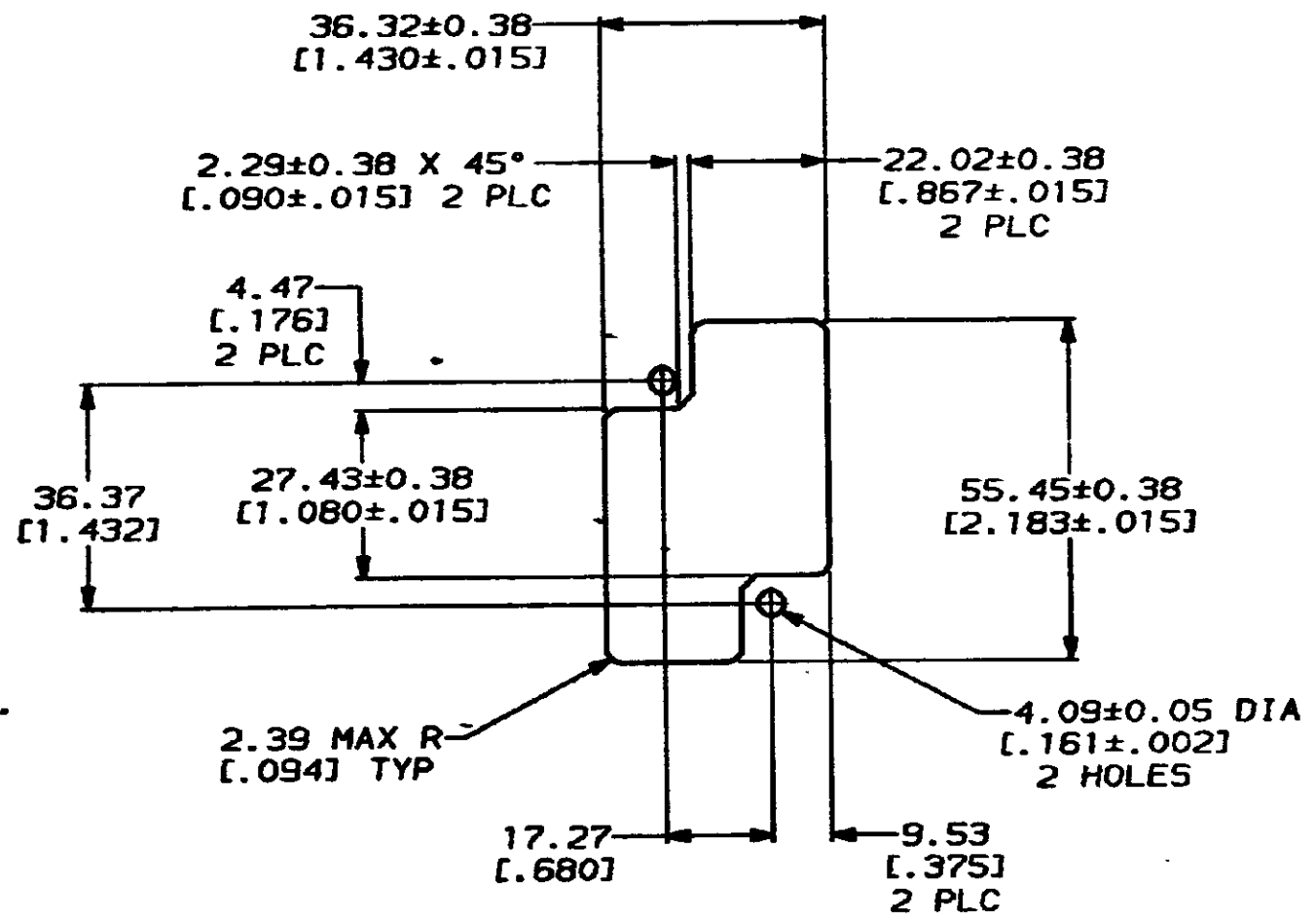


THIS DRAWING IS UNPUBLISHED. RELEASED FOR PUBLICATION .19
 © COPYRIGHT 19 BY AMP INCORPORATED. ALL INTERNATIONAL RIGHTS RESERVED.

REVISI0NS		DATE	APPD
NO	DESC		
1	BD 37	07/15/92	-
	F	REDRAWN WITHOUT CHANGE	



- 211758 MATES WITH 211759.
- MOUNTING SCREW INFORMATION SEE 208211.



SUGGESTED PANEL CUTOUT

THIS DRAWING IS A CONTROLLED DOCUMENT FOR AMP INCORPORATED. IT IS SUBJECT TO CHANGE AND THE CONTROLLING REVISIONS ORGANIZATION SHOULD BE CONTACTED FOR THE LATEST REVISION.

DO NOT SCALE PRINT. UNLESS SPECIFIED DIMENSIONS IN MM [INCHES] TOLERANCES ON:		DR 07/15/92 D.GELTZ		211758-1	
2 PLC DEC ± 0.13 [.005]		CHK 7-20-92 W.G.LENKER		PART NO	
3 PLC DEC ±		APPD 7-21-92 A.TRAVIS		AMP AMP Incorporated Harleburg, PA 17105-9608	
ANGLES ±		APPD -		NAME	
MATERIAL		PRODUCT SPEC		SOCKET HOUSING, 12 POSITION, METRIMATE	
THERMOPLASTIC, BLACK		APPLICATION SPEC		SIZE	
FINISH		WEIGHT		C 00779	
				DRAWING NO	
				C-211758	
				SCALE 1:1	
				SHEET 1 OF 1	

CUSTOMER DRAWING