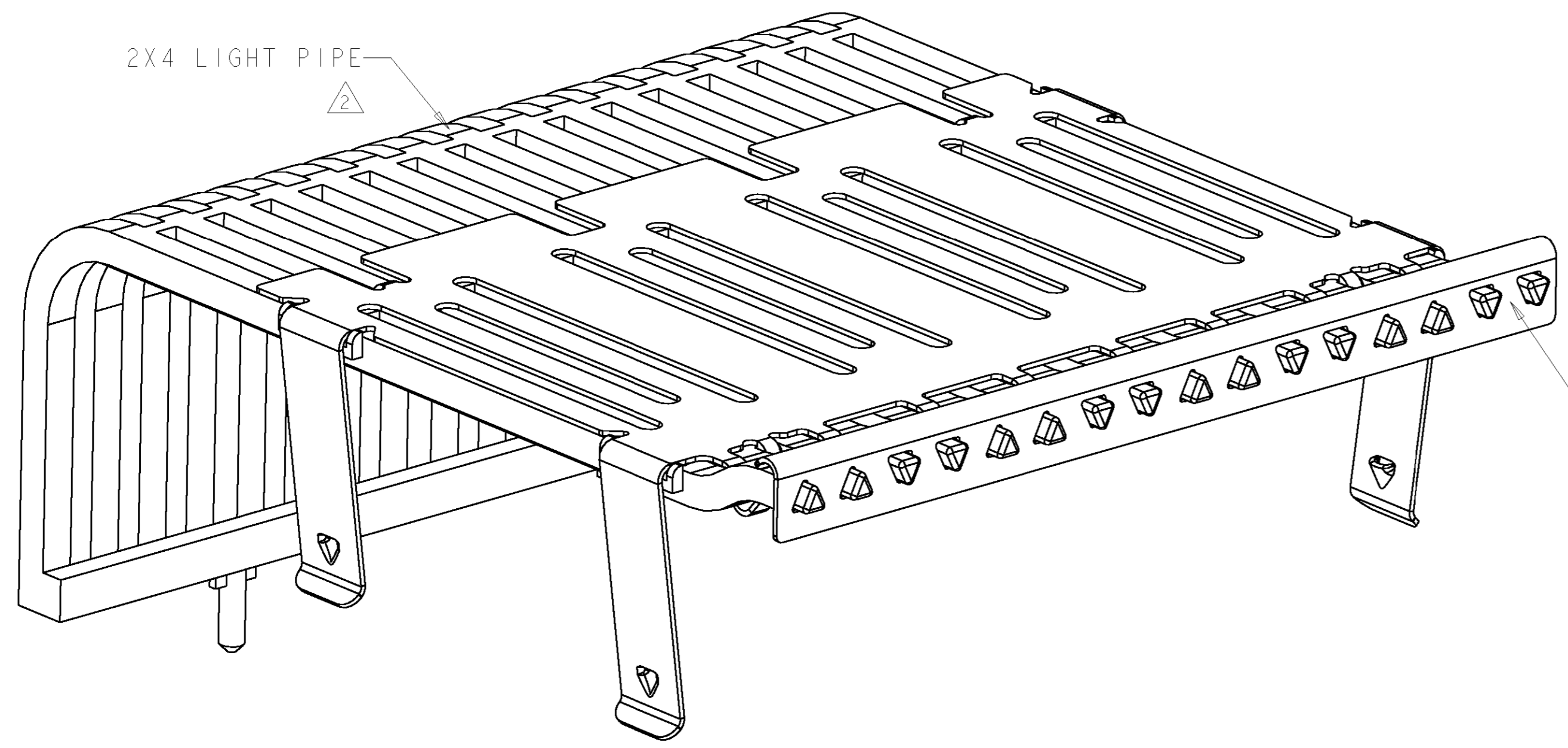
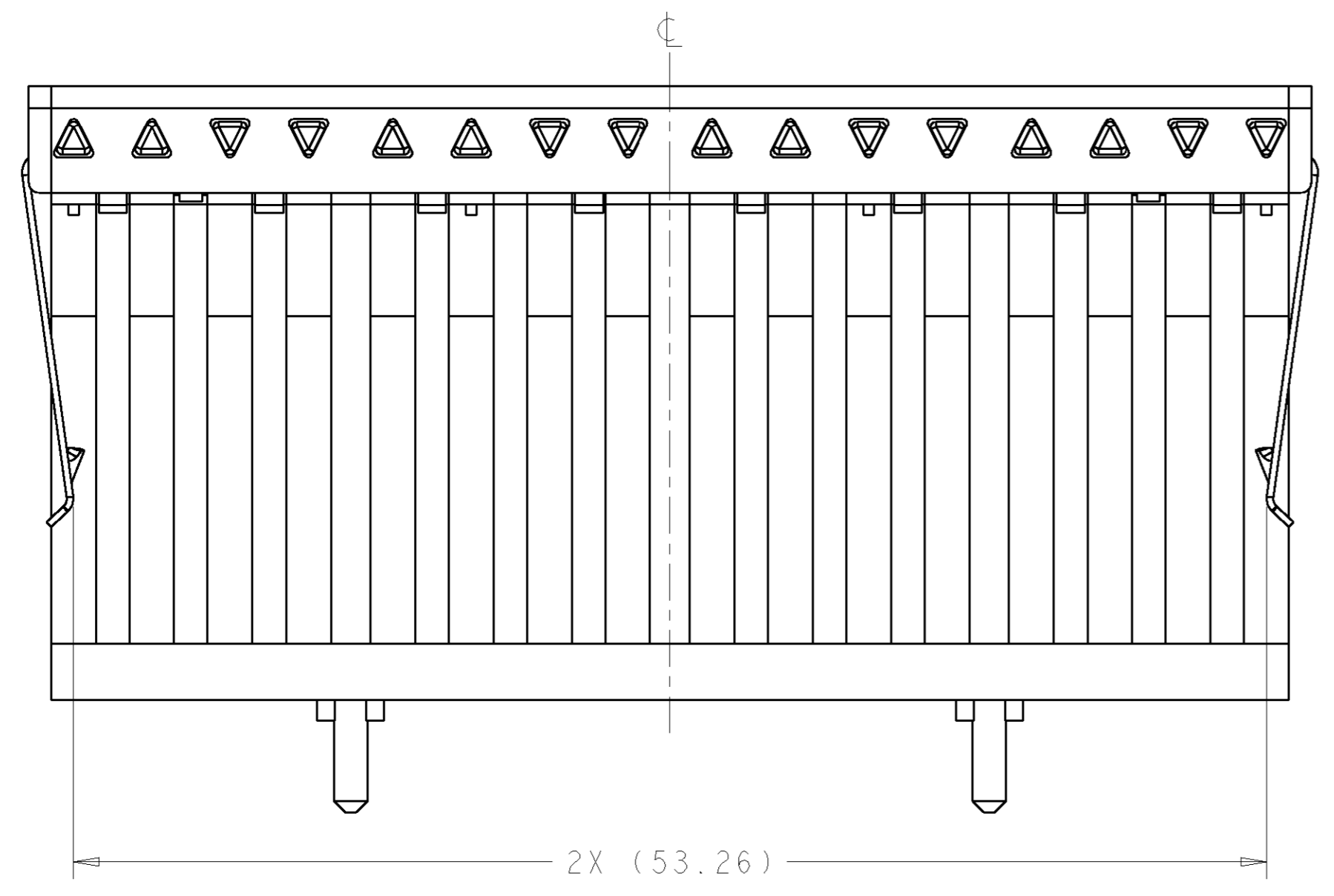


| LOC | DIST | REVISIONS | | | |
|-----|------|-------------------------------------|-----------|-----|------|
| P | LTR | DESCRIPTION | DATE | DWN | APVD |
| GP | 00 | | | | |
| | 01 | INITIAL RELEASE FOR CUSTOMER REVIEW | 24FEB2004 | MEC | RRH |
| | A | REVISED PER ECO-06-028435 | 11DEC06 | BM | JK |



△ 1 STAINLESS STEEL
 △ 2 POLYCARBONATE, CLEAR

1761005-1



1761005-1
 PART NUMBER

| | | | |
|--|---|---|--|
| <small>THIS DRAWING IS A CONTROLLED DOCUMENT FOR TYCO ELECTRONICS CORPORATION. IT IS SUBJECT TO CHANGE AND THE CONTROLLING ENGINEERING ORGANIZATION SHOULD BE CONTACTED FOR THE LATEST REVISION.</small> | | DWN 24FEB2004 M.E. COWHER CHK 24FEB2004 R.R. HENRY APVD 24FEB2004 R.R. HENRY | tyco Electronics Tyco Electronics Harrisburg, PA 17105-3608 |
| DIMENSIONS: mm | TOLERANCES UNLESS OTHERWISE SPECIFIED: 0 PLC ± 1 PLC ± 2 PLC ± 3 PLC ± 4 PLC ± ANGLES ± FINISH | PRODUCT SPEC - APPLICATION SPEC - WEIGHT - | NAME 2X4 LIGHT PIPE KIT, STACKED SFP SIZE A2 CAGE CODE 00779 DRAWING NO. 1761005 RESTRICTED TO - |
| MATERIAL SEE NOTE | TOLERANCES UNLESS OTHERWISE SPECIFIED: SEE NOTE | CUSTOMER DRAWING | SCALE 4:1 SHEET 1 OF 1 REV A |