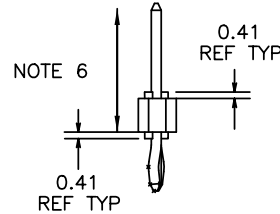
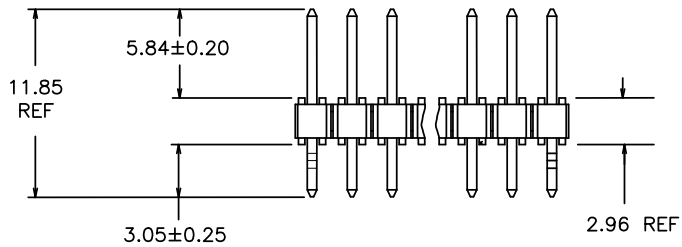
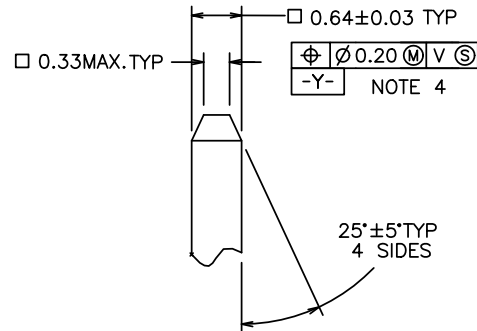
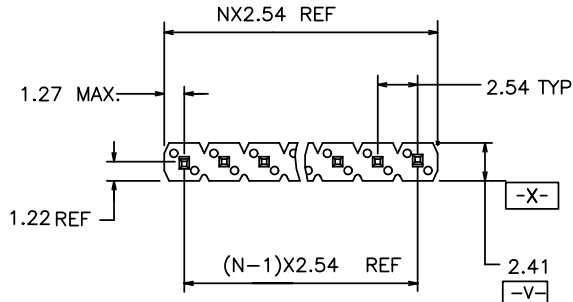


A



B



NOTES

- BODY MATERIAL: NYLON FIBER REINFORCED, FLAME RETARDANT PER UL-94V-0. COLOR: BLACK
- PIN MATERIAL: COPPER ALLOY.
- ANY NUMBER OF POSITIONS FROM 1 THRU 36.
- MEASURED WITH PART IN RESTRAINED CONDITION.
- TWO SIDES OF PIN TIPS NOT PLATED. TYPICAL BOTH ENDS.
- 2LBS/0.9KG MIN PIN RETENTION IN EITHER DIRECTION.
- PIN PLATING CODES:
 XXXXXXXX-1YY/1YYHLF 30u"/0.76u MIN (SEE NOTE 12) OVER 50u"/0.76u MIN Ni.
 XXXXXXXX-2YY/2YYHLF 15u"/0.38u MIN (SEE NOTE 12) OVER 50u"/0.76u MIN Ni.
 XXXXXXXX-3YY/3YYHLF 50u"/1.27u MIN (SEE NOTE 12) OVER 50u"/0.76u MIN Ni.
 XXXXXXXX-4YY 120u"/3.05u MIN 93/7 Sn/Pb OVER 50u"/0.76u MIN Ni.
 XXXXXXXX-4YYHLF 100u"/2.54u MIN Tin OVER 50u"/0.76u MIN Ni.
- P/N WITH SUFFIX "LF" IS LEAD FREE P/N.
- PACKAGE IN POLY BAGS. PACKING STANDARD GS-14-920 WILL BE APPLIED FOR LEAD FREE P/NS.
- FOR LEAD FREE P/NS THE PRODUCT MEET EUROPEAN UNION DIRECTIVES AND OTHER COUNTRY REGULATION AS DESCRIBED IN GS-22-008.
- FOR LEAD FREE P/NS THE HOUSING WILL WITHSTAND EXYLOSURE TO 260°C PEAK TEMPERATURE FOR 10 SECOND IN A WAVE SOLDER APPLICATION WITH A 0.8mm THICK CIRCUIT BOARD.
- PERFORMANCE PLATING WILL BE EITHER GOLD OR GXT ON POST OR TAIL, OPTIONALLY (78~295u"/2~7.5u) TIN ON TAIL.

A

B

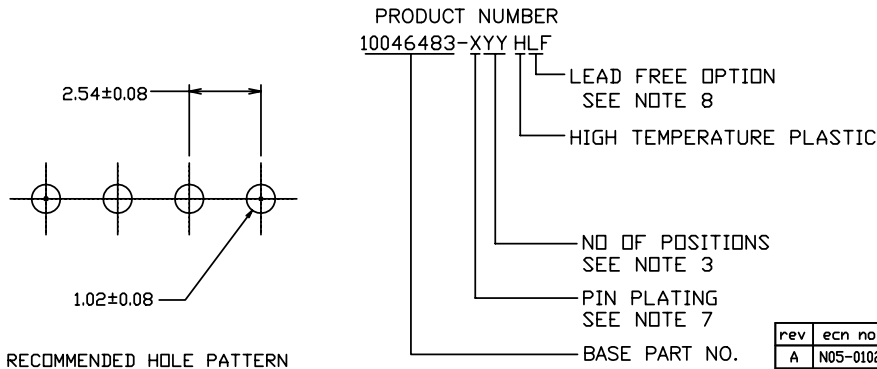
C

D



Copyright FCI.

D



rev	ecn no	dr	date
A	N05-0102	ZC	4/4/05
B	N05-0267	ZC	9/21/05
C	N06-0061	DT	3/7/06
D	N11-0118	JZ	2011-04-11
-	-	-	-
-	-	-	-
-	-	-	-

www.fciconnect.com		surface 6.4 ISO 1302	tolerance std ISO 406 ISO 1101	projection A4	INCH/MM ↔
Dr	ZHENGCAI TAO	4/4/05	ANGULAR	0.X ±0.3	Scale 1.000
Eng	ZHENGCAI TAO	4/4/05	LINEAR	0.XX ±0.15	ECN N11-0118
Chr	ZHENGCAI TAO	4/4/05	0° ±2°	0.XXX ±0.05	Spec ref
Appr	JASON ZHOU	4/4/05	Product family	BERGSTIK	
FCI		title		dwg no	
		BERGSTIK® II HEADER		10046483	
		.100/2.54cc SR STRAIGHT		Rev. D	
		catalog no		CUSTOMER	
				sheet 1 of 2	

1

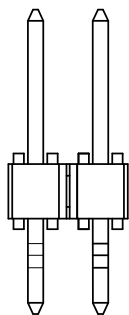
2

3

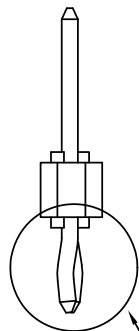
4

A

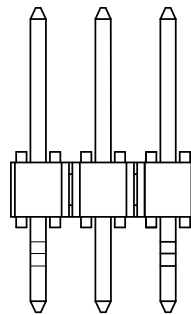
A



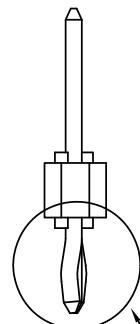
2 POSITIONS



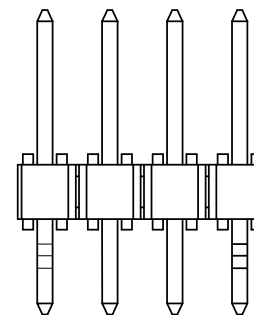
A



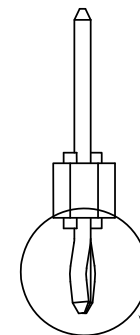
3 POSITIONS



B



4 POSITIONS



B

B

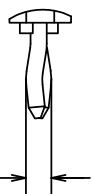
B



C

C

Copyright FCI.



VIEW:A

1.04±0.15



VIEW:B

1.04±0.15

D

D

www.fciconnect.com			surface <input checked="" type="checkbox"/> ISO 1302		tolerance std <input checked="" type="checkbox"/> ISO 406 <input checked="" type="checkbox"/> ISO 1101		projection		INCH/MM		
			TOLERANCES UNLESS OTHERWISE SPECIFIED								
Dr	ZHENGCAI TAO	4/4/05	ANGULAR	LINEAR	0.X	±0.3	size A4	Scale 1.000			
Eng	ZHENGCAI TAO	4/4/05			0.XX	±0.15		ECN N11-0118			
Chr	ZHENGCAI TAO	4/4/05			0.XXX	±0.05					
Appr	JASON ZHOU	4/4/05	Product family BERGSTIK		Spec ref						
			title BERGSTIK® II HEADER .100/2.54cc SR STRAIGHT.				dwg no 10046483		Rev. D		
			catalog no				CUSTOMER		sheet 2 of 2		

REV F - 2006-04-17

1

2

3 PDM: Rev:D

STATUS Released

4 Printed: Apr 20, 2011