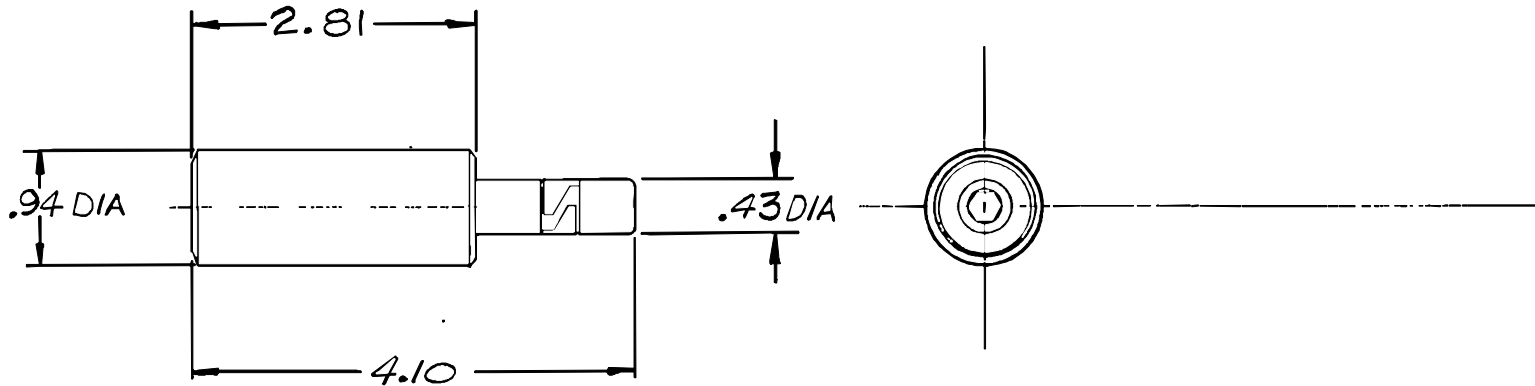


| REVISIONS | | | |
|-----------|-------------------------------|---------|------------|
| LTR | DESCRIPTION | DATE | APPROVED |
| A | RELEASED TO MFG. ECN# T-06972 | 9/8/86 | <i>Amr</i> |
| B | REVISED PER ECN# T-17279 | 3/20/92 | <i>Amr</i> |



NOTES:

1. MAY BE PURCHASED UNDER PART NO. 323451
2. ALL DIMENSIONS SHOWN ARE FOR REFERENCE ONLY.

If this document is printed it becomes uncontrolled.
Check with the web for latest revision.

SPECIFICATION CONTROL DRAWING © Raychem Corporation 1986

| | | | | | |
|--|-------------------|-----------|--|-----------------|-------------------|
| DRAWN | CERDAN | 7 JULY 86 | Raychem <small>RAYCHEM CORPORATION 300 CONSTITUTION DRIVE MENLO PARK, CALIFORNIA 94025</small> | | |
| CHECKED | <i>Amr</i> | 8-19-86 | | | |
| APPROVED | <i>E. Staller</i> | 8/23/86 | TITLE TORQUE HANDLE MTC 100 REPAIR KIT | | |
| APPROVED | | | | | |
| UNLESS OTHERWISE SPECIFIED DIMENSIONS ARE IN INCHES. METRIC DIMENSIONS ARE IN PARENTHESIS | | | SIZE | CODE IDENT. NO. | DWG. NO. |
| DO NOT SCALE THIS DRAWING | | | B | 06090 | CE-1603400 |
| | | | WEIGHT | — | SHEET / OF / |