

MATERIALS AND FINISHES

BODY, JAMNUT: BRASS
PLATED: NICKEL

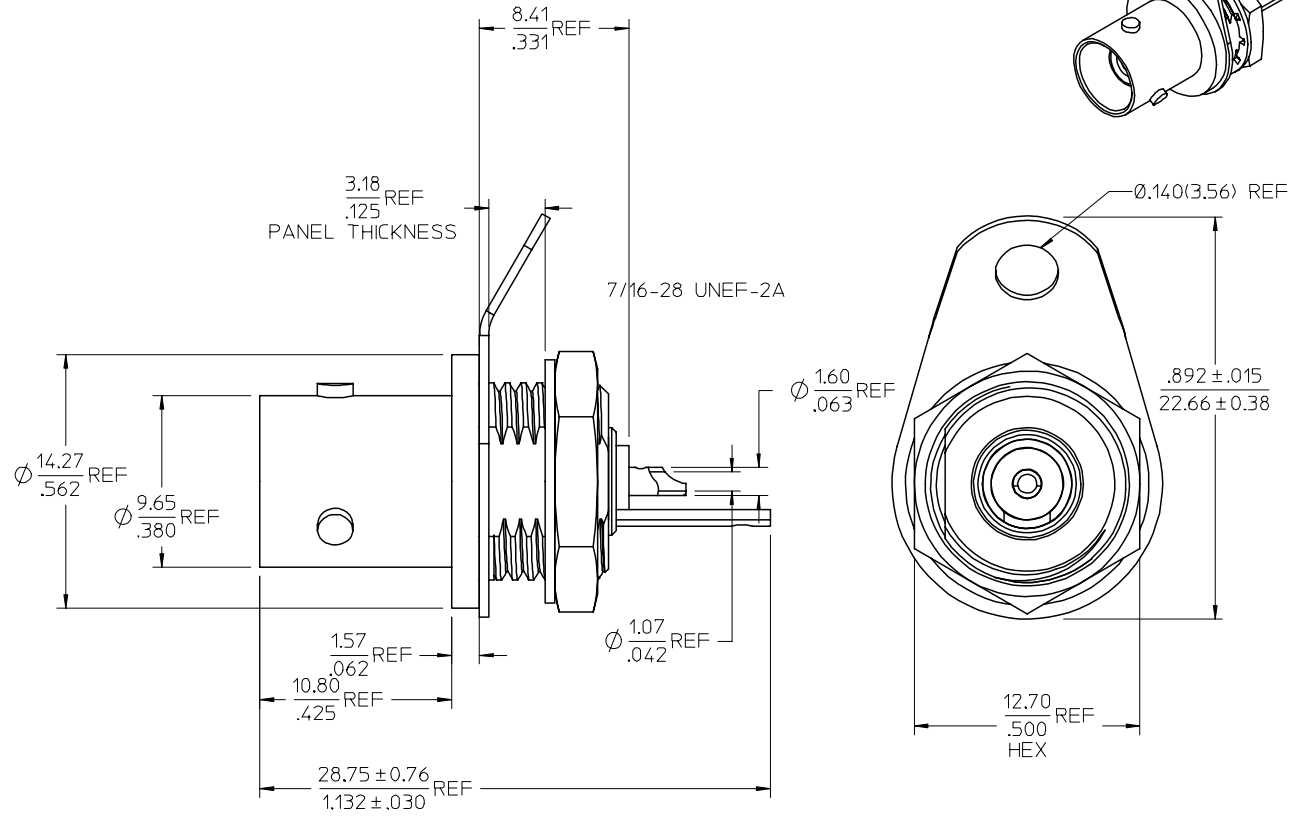
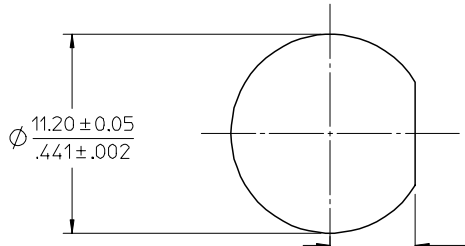
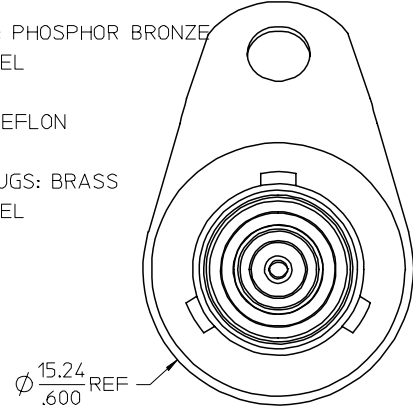
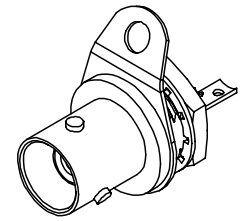
CENTER CONTACT: BeCu
PLATED: GOLD

INTERMEDIATE CONTACT: BRASS
PLATED: GOLD

LOCKWASHER: PHOSPHOR BRONZE
PLATED: NICKEL

INSULATOR: TEFLON

GROUNDING LUGS: BRASS
PLATED: NICKEL



MIL-STD-348A, FIG 201-2	INTERFACE SPECIFICATION
SPECIFICATION	DESCRIPTION

73175-0011	73175-0010, ONE PER BAG
73175-0010	BULK
PART NO.	PACKAGING

CHG: ADDED P/N 73175-0011 EC NO: URF2007-0326 DRAWN: FLAHERTY 2007/03/14 CHKD: SHAH 2007/03/14 APPR: JIMENER 2007/03/14 A2	QUALITY SYMBOLS ▽=0 ▽=0	GENERAL TOLERANCES (UNLESS SPECIFIED)		DIMENSION STYLE MM/IN		SCALE	DESIGN UNITS METRIC	THIRD ANGLE PROJECTION
		4 PLACES ± --- ± --- 3 PLACES ± --- ± --- 2 PLACES ± --- ± --- 1 PLACE ± --- ± ---	mm INCH	DRAWN BY SSS	DATE 2003/06/03	TITLE TRIAX JACK BKHD SOLDER POT W/GRND LUGS TRIAX-JC	MOLEX INCORPORATED	SHEET NO. 1 OF 1
		ANGULAR ± 2 °		CHECKED BY TEF	DATE 2003/06/03	DOCUMENT NO. SD-73175-001		
		DRAFT WHERE APPLICABLE MUST REMAIN WITHIN DIMENSIONS		APPROVED BY SSS	DATE 2003/10/06	THIS DRAWING CONTAINS INFORMATION THAT IS PROPRIETARY TO MOLEX INCORPORATED AND SHOULD NOT BE USED WITHOUT WRITTEN PERMISSION		