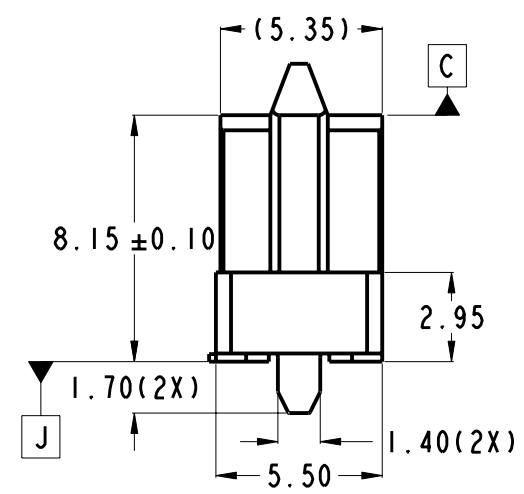
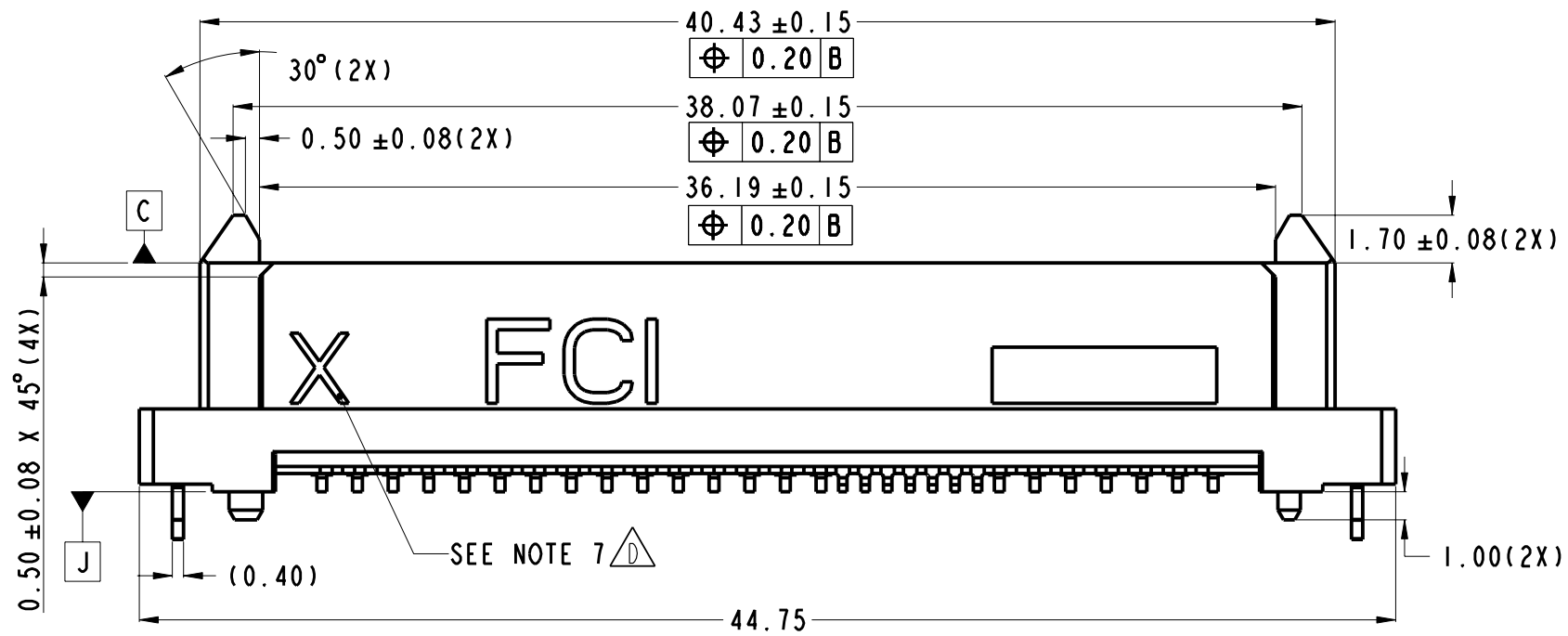
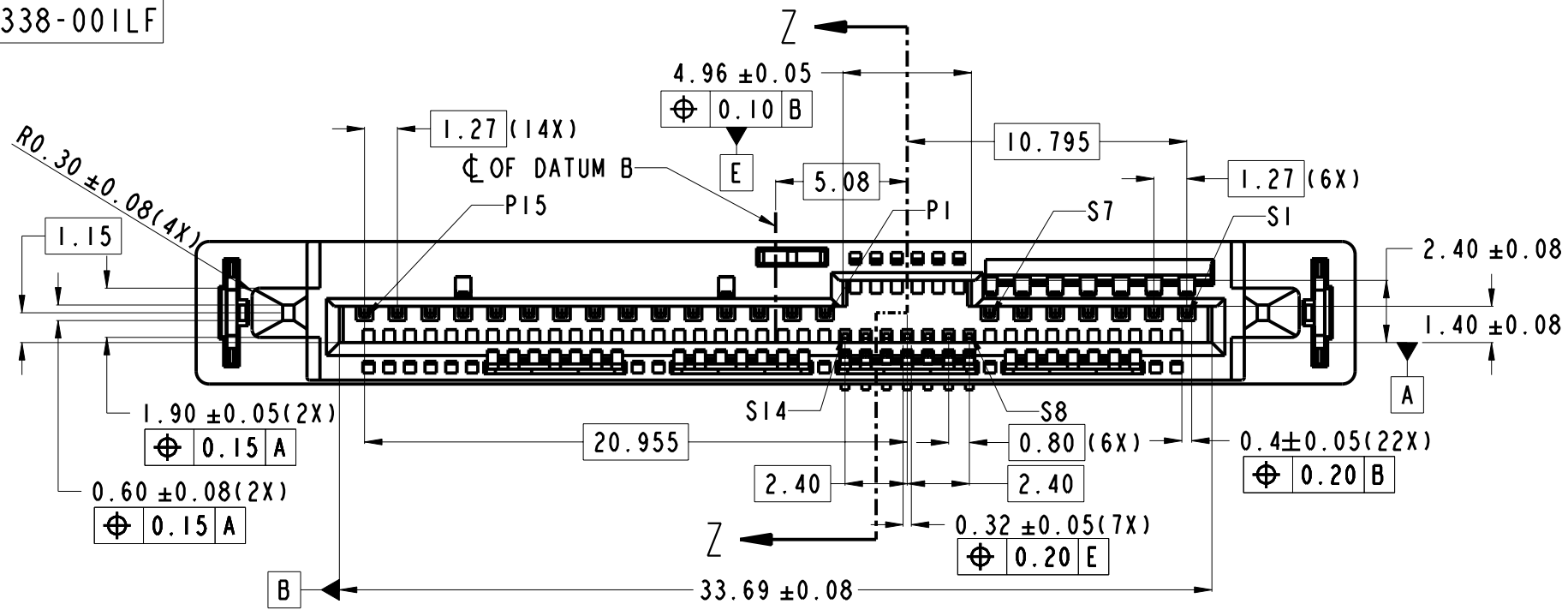


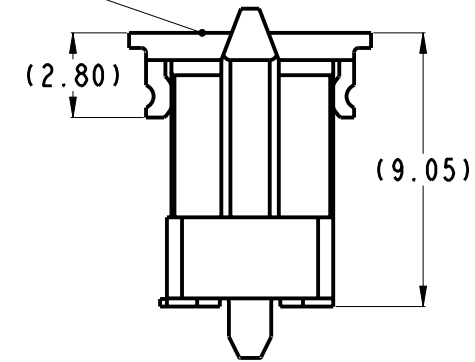
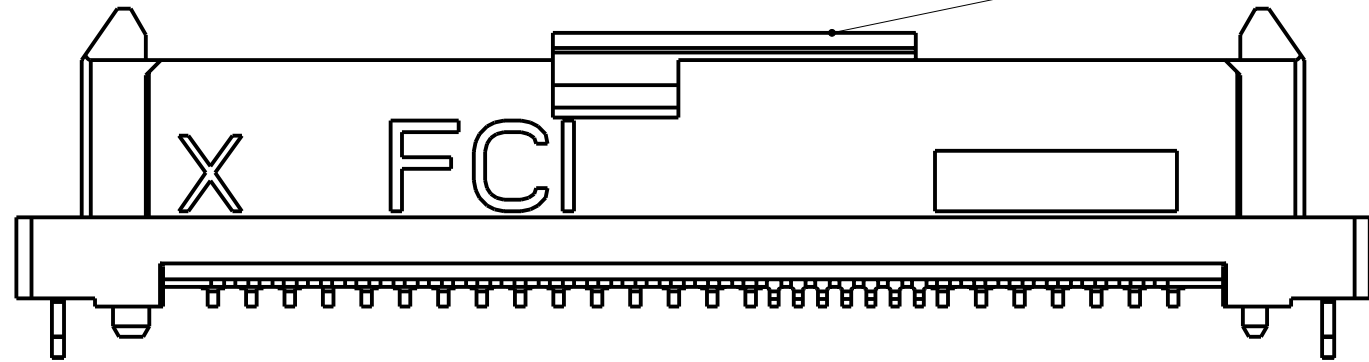
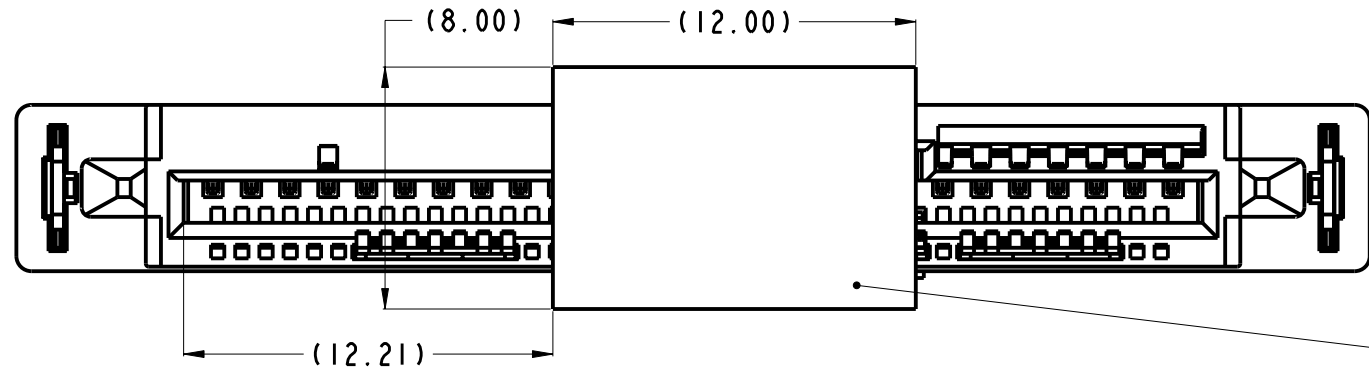
PRODUCT NO.
10139338-001LF



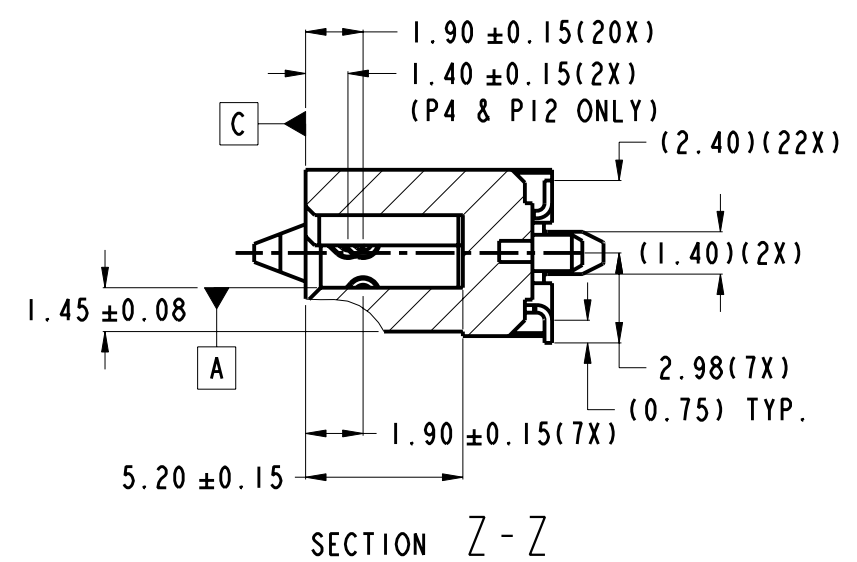
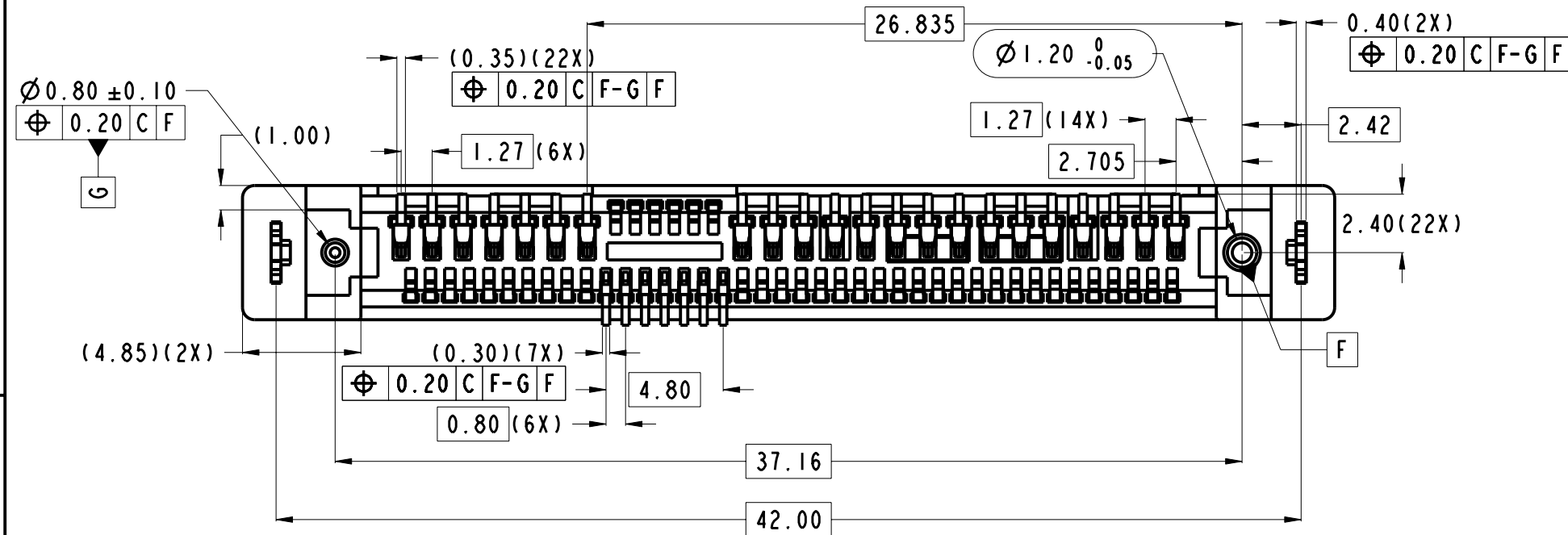
SCALE 4:1

spec ref	-	dr	Jeffrey Lim	2016/05/17	projection	MM	size	A3	scale	1:1														
tolerance std	TOLERANCES UNLESS OTHERWISE SPECIFIED	eng	Jeffrey Lim	2022/04/19			ecn no	ELX-S-44486-1																
		chr	-				rel level	Released																
surface	<table border="1"> <tr> <td>linear</td> <td>0.X</td> <td>±</td> <td>-</td> </tr> <tr> <td></td> <td>0.XX</td> <td>±</td> <td>0.20</td> </tr> <tr> <td></td> <td>0.XXX</td> <td>±</td> <td>-</td> </tr> <tr> <td>angular</td> <td>0°</td> <td>±</td> <td>3°</td> </tr> </table>	linear	0.X	±	-		0.XX	±	0.20		0.XXX	±	-	angular	0°	±	3°	appr	Koon-Poh Tay	2022/04/26	product family	-		
linear	0.X	±	-																					
	0.XX	±	0.20																					
	0.XXX	±	-																					
angular	0°	±	3°																					
				12G SAS RECEPTACLE VERTICAL SMT		dwg no	10139338		rev	D														
				cat. no.	-		Product - Customer Drw		sheet 1 of 3															

PRODUCT NO.
SEE TABLE



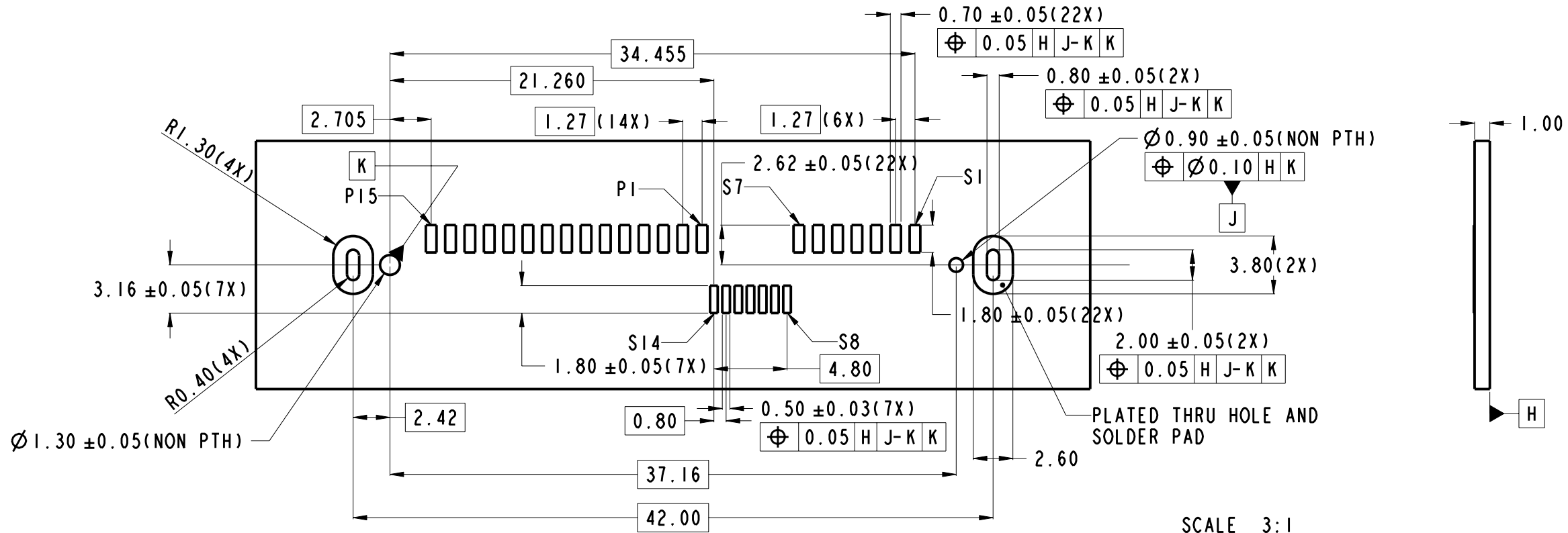
SCALE 4:1



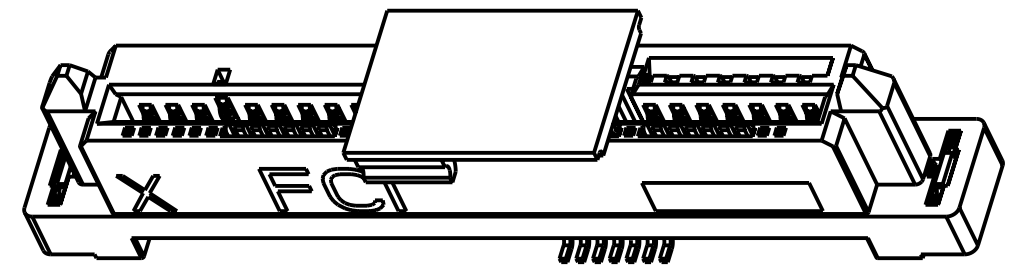
Amphenol FCI
© 2016 AFCI

spec ref	-	dr	Jeffrey Lim	2016/05/17	projection	MM	size	A3	scale	4:1											
tolerance std	TOLERANCES UNLESS OTHERWISE SPECIFIED	eng	Jeffrey Lim	2022/04/19			ecn no	ELX-S-44486-1													
surface	<table border="1"> <tr> <td>linear</td> <td>0.X</td> <td>±</td> </tr> <tr> <td></td> <td>0.XX</td> <td>±0.20</td> </tr> <tr> <td></td> <td>0.XXX</td> <td>±</td> </tr> <tr> <td>angular</td> <td>0°</td> <td>±3°</td> </tr> </table>	linear	0.X	±				0.XX	±0.20		0.XXX	±	angular	0°	±3°	chr	-	product family	-	rel level	Released
linear	0.X	±																			
	0.XX	±0.20																			
	0.XXX	±																			
angular	0°	±3°																			
		appr	Koon-Poh Tay	2022/04/26	Amphenol FCI 12G SAS RECEPTACLE VERTICAL SMT		cat. no.	-	Product - Customer Drw	sheet 2 of 3											
					dwg no	10139338		rev	D												

PRODUCT NO.	PICK UP CAP	PACKAGING
10139338-001LF	NO	TRAY
10139338-001CLF	YES	TAPE & REEL
10139338-001C-TRLF		



- NOTES:
- MATERIAL:
 - HOUSING & CAP: HIGH TEMP THERMOPLASTIC, UL 94V-0
COLOUR: BLACK
 - TERMINAL: COPPER ALLOY
 - HOLD DOWN: COPPER ALLOY
 - FINISH:
 - TERMINAL: 30u" Au PLATING (CONTACT POINT)
OVER 50u" NICKEL
 - SOLDER TAIL: 100u" MIN Sn OVER 50u" NICKEL
 - HOLD DOWN: 100u" MIN Sn OVER 50u" NICKEL
 - THE STANDARD PACKAGING IS IN TRAY UNLESS OTHERWISE SPECIFIED
 - THIS PRODUCT IS COMPLY WITH SFF-8680 SPECIFICATION
 - PRODUCT SPEC.: GS-12-1120
 - PACKAGING SPEC.: GS-14-841 (TRAY); GS-14-966 (TAPE & REEL)
 - MARKING MEANT FOR HOUSING CAVITY NUMBER
 - THIS PRODUCT MEETS EUROPEAN UNION DIRECTIVES AND OTHER COUNTRY REGULATIONS AS DESCRIBED IN GS-47-0004.
 - THE HOUSING WILL WITHSTAND EXPOSURE TO 260°C PEAK TEMPERATURE FOR 10 SECONDS IN A CONVECTION, INFRA-RED OR VAPOR PHASE REFLOW OVEN.
 - A SYMBOL WILL BE NEXT TO ANY DIMENSION, VIEW, OR NOTE WHICH HAS BEEN MODIFIED WITH THE CURRENT DRAWING REVISION.



spec ref	-	dr	Jeffrey Lim	2016/05/17	projection	MM	size	A3	scale	1:1		
tolerance std	TOLERANCES UNLESS OTHERWISE SPECIFIED	eng	Jeffrey Lim	2022/04/19		←→	ecn no	ELX-S-44486-1				
-	-	chr	-	-				product family	-	rel level	Released	
surface	linear	0.X	±-		12G SAS RECEPTACLE			dwg no	10139338		rev	
-	0.XX	±0.20	VERTICAL SMT			cat. no.	Product - Customer Drw		sheet 3 of 3			
-	0.XXX	±-	amphenol-icc.com				PDS: Rev :D			STATUS:Released		
-	angular	0°	±3°	Printed: May 24, 2022								