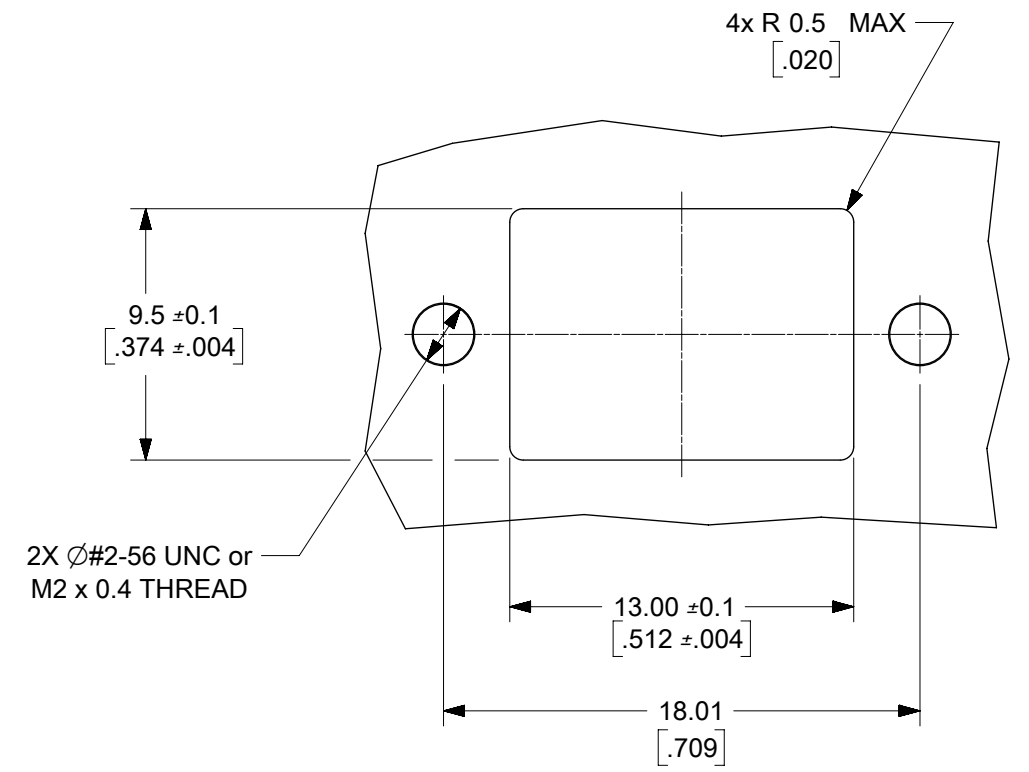
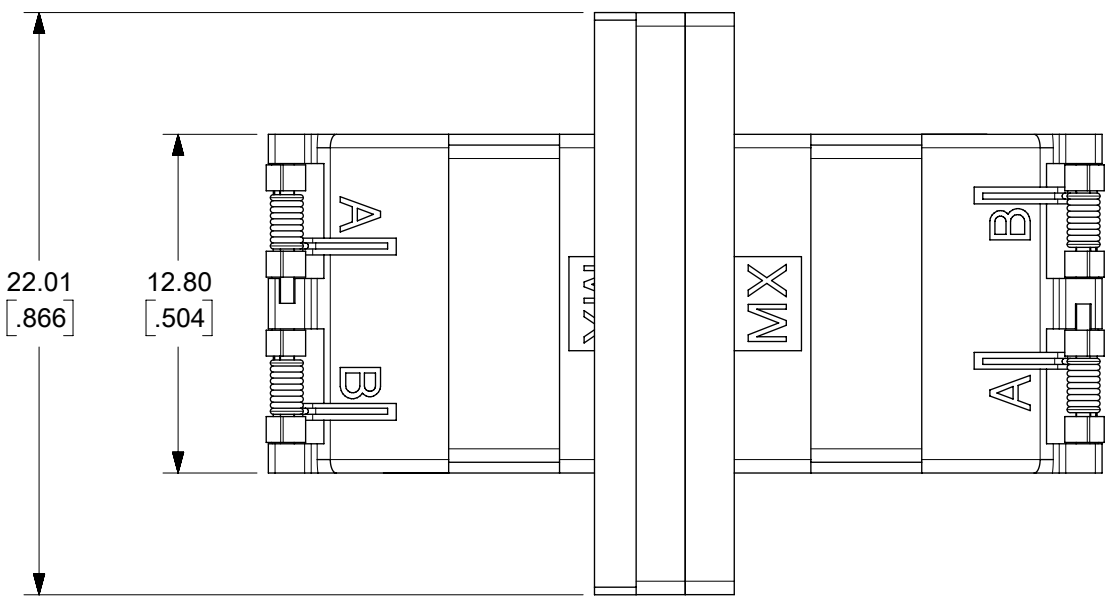
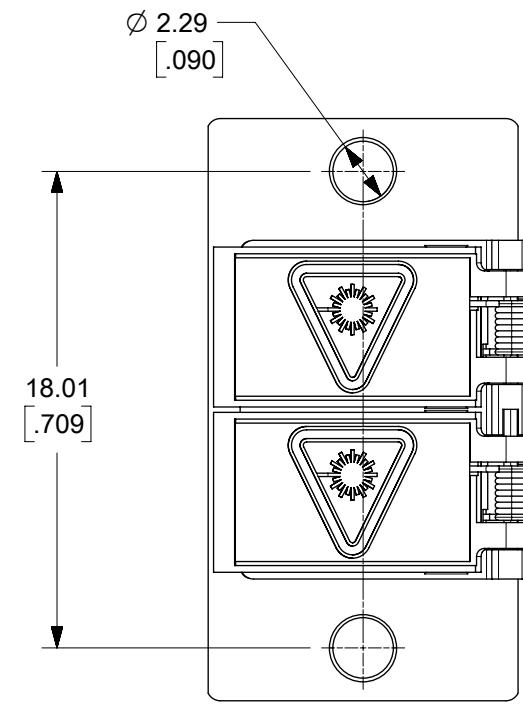
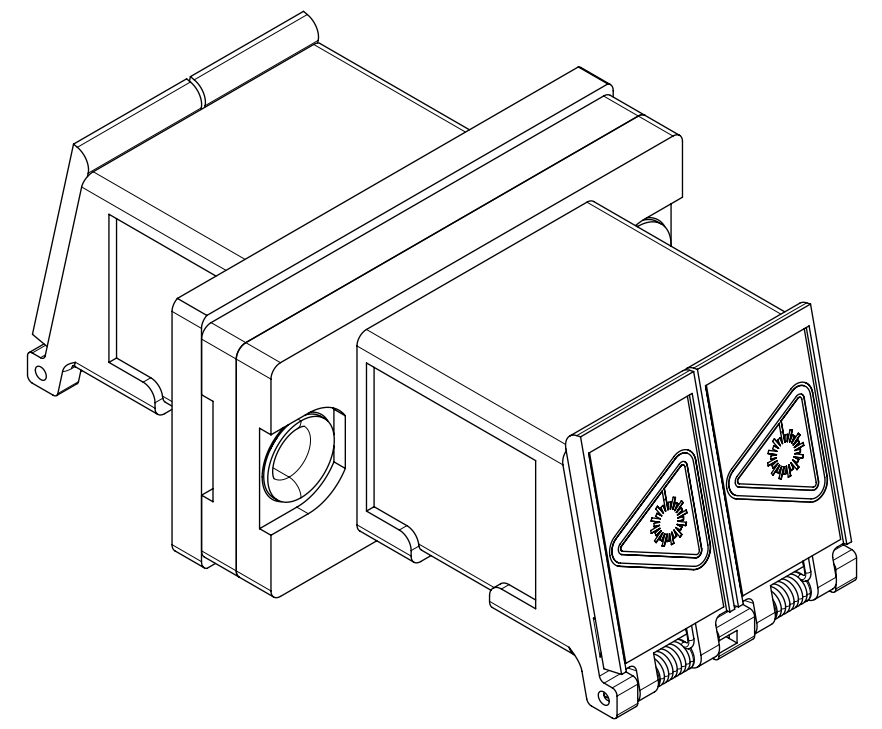
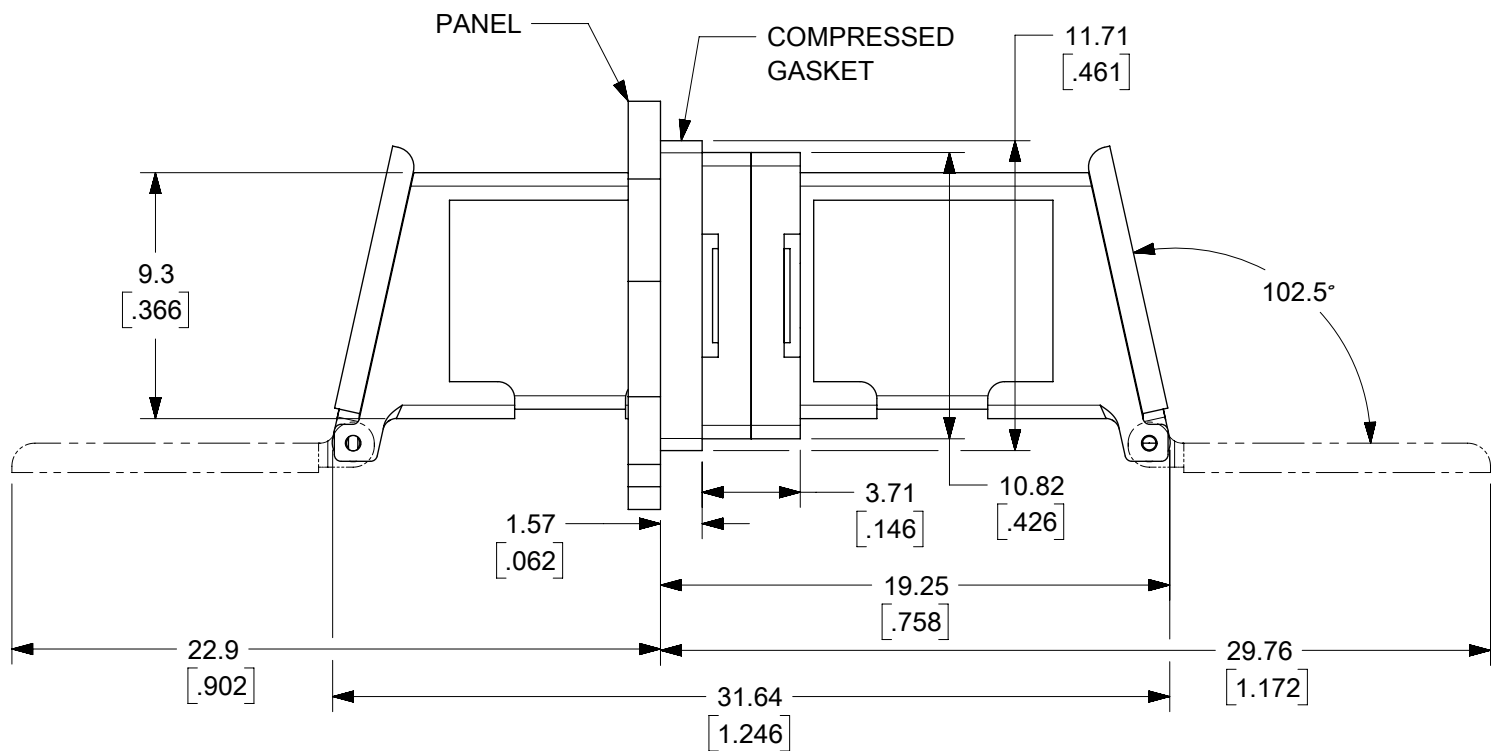


ADAPTER P/N	SPLIT SLEEVE MATERIAL
1061151120	Zr
1061151126	Ph. Bronze



RECOMMENDED MOUNTING PATTERN

- NOTES:
1. ALL DIMENSIONS ARE FOR REFERENCE ONLY.
 2. CONDUCTIVE SILICONE GASKET WITH FILLER IS SUPPLIED WITH PART.
 3. PART IS DIECAST.
 4. ADAPTERS TO BE PACKAGED IN TRAY.

THIS DRAWING CONTAINS INFORMATION THAT IS PROPRIETARY TO MOLEX ELECTRONIC TECHNOLOGIES, LLC AND SHOULD NOT BE USED WITHOUT WRITTEN PERMISSION									
DIMENSION UNITS	SCALE	CURRENT REV DESC: MIGRATED TO NX							
MM/IN	4:1								
GENERAL TOLERANCES (UNLESS SPECIFIED)									
ANGULAR TOL	± 0.5°	LC-D EMI ADAPTER SCW MT ZR METAL DOORS							
4 PLACES	±	PRODUCT CUSTOMER DRAWING							
3 PLACES	±	DOCUMENT NUMBER							
2 PLACES	±	SD-106115-112X							
1 PLACE	±	DOC TYPE DOC PART REVISION							
0 PLACES	±	PSD 001 B							
DRAFT WHERE APPLICABLE MUST REMAIN WITHIN DIMENSIONS	THIRD ANGLE PROJECTION	DRAWING	SERIES	MATERIAL NUMBER	CUSTOMER	SHEET NUMBER			
		B-SIZE	106115	SEE TABLE	GENERAL MARKET	1 OF 1			