

# Product Specification

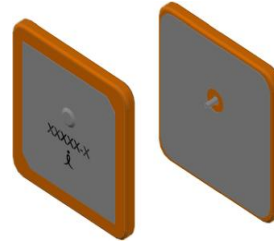


## Patch Antenna JLT1596S25P2A



### Feature

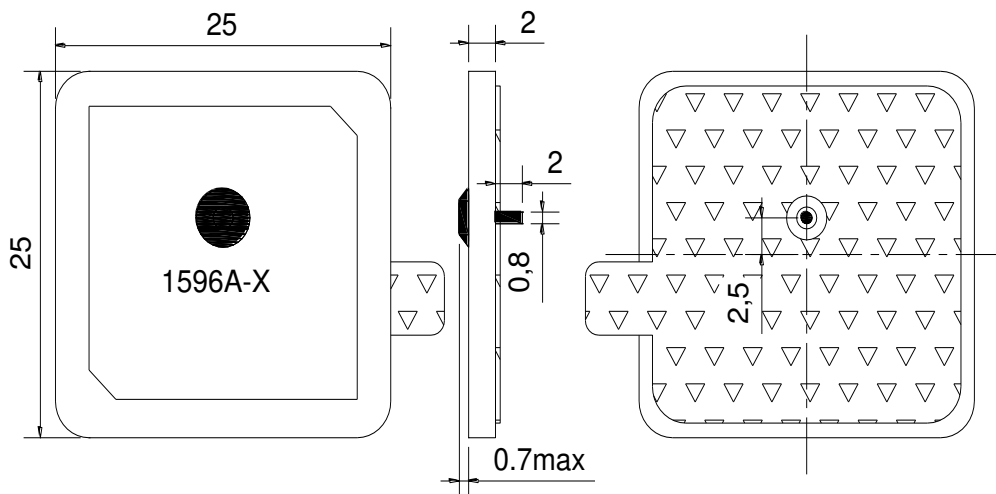
- High gain , Compact
- Pin type
- Customization available



### Electrical Specification

Center Frequency	1603± 3.0 MHz
Return Loss @ F0	≥ 15dB
Bandwidth @ 10dB Return loss	≥5 MHz
Polarization	RHCP
Gain @ Zenith	1 dBi typ.
Ground plane	27*27 mm
Impedance	50 Ω
Frequency Temperature Coefficient	±20 ppm/°C
Operation Temperature Range	-40 ~ +85°C

### Mechanical Drawing



The last "X" is the serial number of month

Tolerance Unless Otherwise Specified:±0.30  
Unit: mm

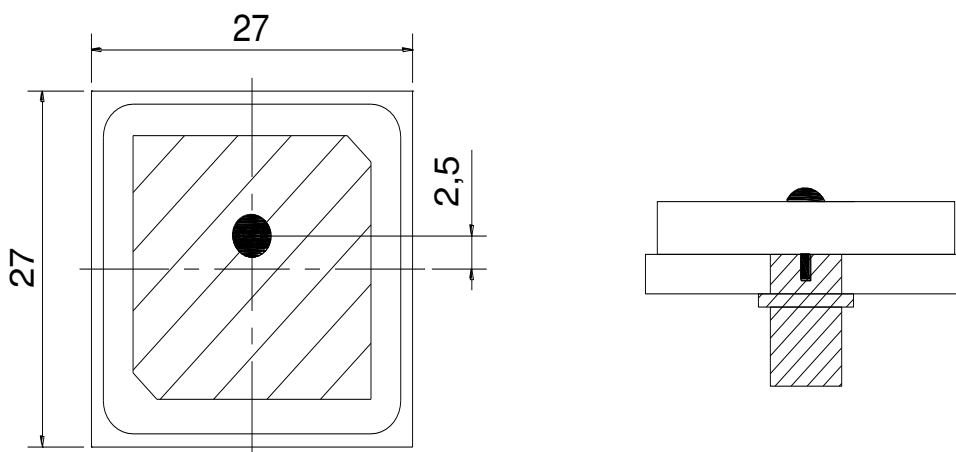
# Product Specification



## Patch Antenna

### JLT1596S25P2A

### Test Fixture



### Characteristics

