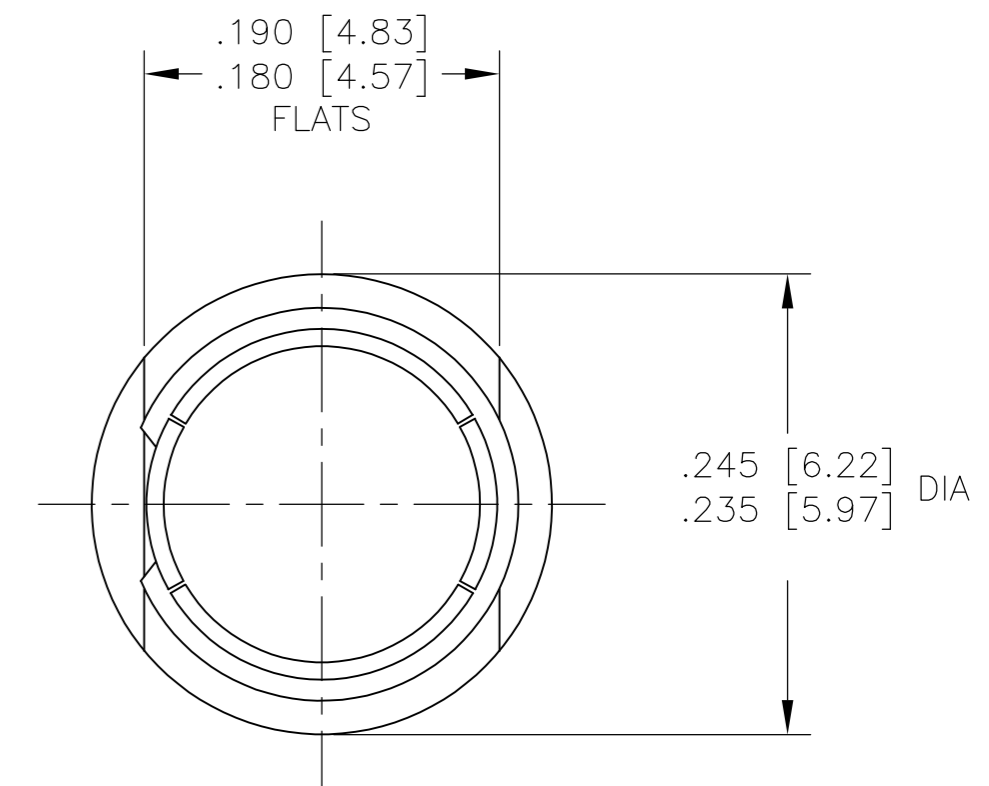
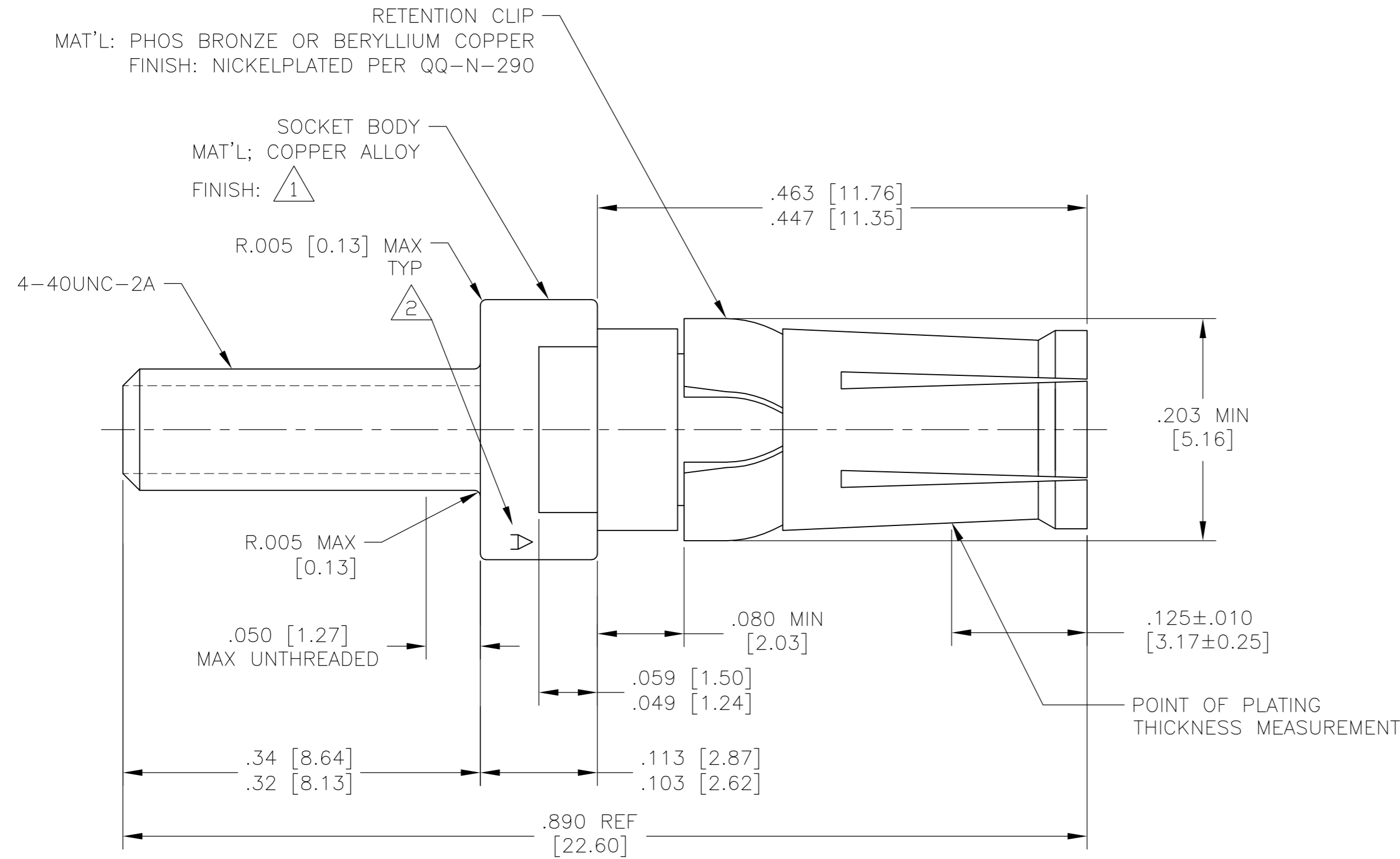


THIS DRAWING IS UNPUBLISHED. RELEASED FOR PUBLICATION - N/A .
 © COPYRIGHT N/A By - ALL RIGHTS RESERVED.

REVISIONS				
P	LTR	DESCRIPTION	DATE	APVD
B		REV PER ECO 17-001528	08APR08	CT DM

- ① FINISH: PLATED GOLD .000050 [0.00127] MIN THK PER ASTM-B488 OVER NICKEL .000050 [0.00127] MIN THK PER QQ-N-290.
- ② .015 TO .030 HIGH GOTHIC "A" STAMPED .001-002 DEEP. RADIAL LOCATION OPTIONAL.



1757682-1
PART NO.

THIS DRAWING IS A CONTROLLED DOCUMENT.		DWN A.H.ANDERSON 05-APR-05																				
DIMENSIONS: INCHES		CHK D.MILLER 05-APR-05																				
TOLERANCES UNLESS OTHERWISE SPECIFIED:		APVD D.MILLER 05-APR-05	NAME ASSEMBLY, SOCKET CONTACT POWER VIII, THREADED																			
<table border="0"> <tr><td>0 PLC</td><td>±</td><td>-</td></tr> <tr><td>1 PLC</td><td>±</td><td>-</td></tr> <tr><td>2 PLC</td><td>±</td><td>-</td></tr> <tr><td>3 PLC</td><td>±</td><td>.005 [0.13]</td></tr> <tr><td>4 PLC</td><td>±</td><td>-</td></tr> <tr><td>ANGLES</td><td></td><td>± -</td></tr> </table>		0 PLC	±	-	1 PLC	±	-	2 PLC	±	-	3 PLC	±	.005 [0.13]	4 PLC	±	-	ANGLES		± -	PRODUCT SPEC APPLICATION SPEC	SIZE A2	CAGE CODE 00779
0 PLC	±	-																				
1 PLC	±	-																				
2 PLC	±	-																				
3 PLC	±	.005 [0.13]																				
4 PLC	±	-																				
ANGLES		± -																				
MATERIAL SEE CALLOUTS		FINISH SEE CALLOUTS	WEIGHT 0.000000	DRAWING NO 1757682																		
		CUSTOMER DRAWING		RESTRICTED TO -																		
		SCALE 10:1	SHEET 1 of 1	REV B																		