







MATERIAL AND FINISH:
 Insulator: Polycarbonate,
 UL-94V-0 rated
 Contacts: Brass, Nickel plated





ELECTRICAL SPECIFICATIONS:
 Inlet Current rating: 10 A   
 Fuse Holder Current rating:
 5A   6.3A 
 Voltage rating: 250 VAC
 Insulation resistance: 100 Mohm min.
 at 500 VDC
 Dielectric withstanding voltage: 2000
 VAC for one minute



RoHS
 COMPLIANT

ORDERING CODE:

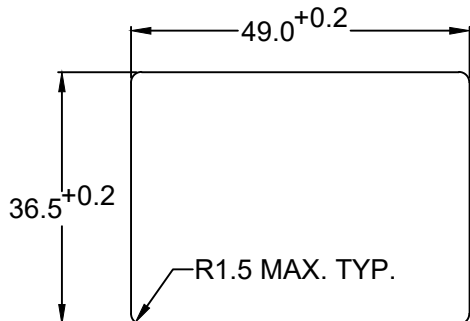
42R39-3 -

1 2 3

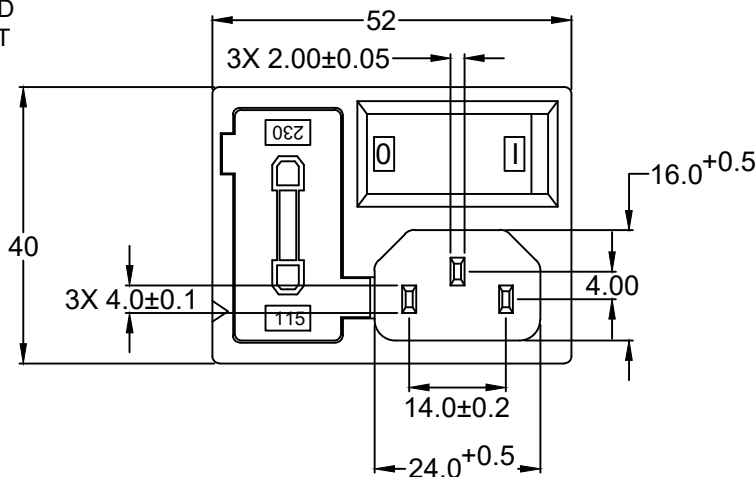
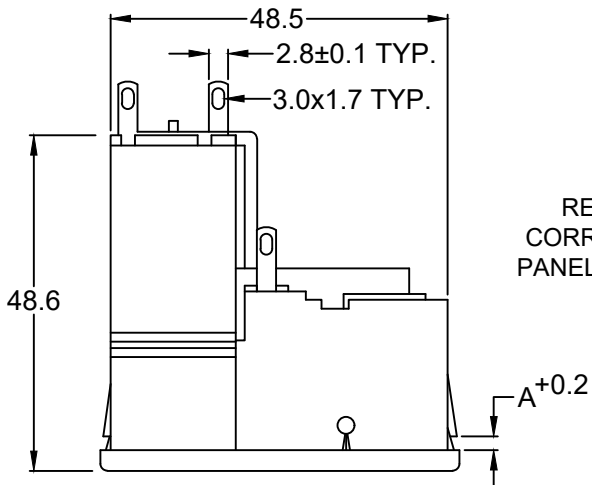
- 1) COLOR
 1 = BLACK
 2 = GRAY
- 2) ELECTRICAL CIRCUIT
 CONFIGURATION
- 3 = 10A 250V 70°C
 2+GROUND, 1 FUSE 
 2 POLE SWITCH
- 4 = 10A 250V 70°C
 2+GROUND, 2 FUSE 
 2 POLE SWITCH
- 7 = 10A 250V 120°C
 2+GROUND, 1 FUSE 
 2 POLE SWITCH
- 8 = 10A 250V 120°C
 2+GROUND, 2 FUSE 
 2 POLE SWITCH

- 11 = 10A 250V 70°C
 2 POLE, 1 FUSE 
 2 POLE SWITCH
- 12 = 10A 250V 70°C
 2 POLE, 2 FUSE 
 2 POLE SWITCH

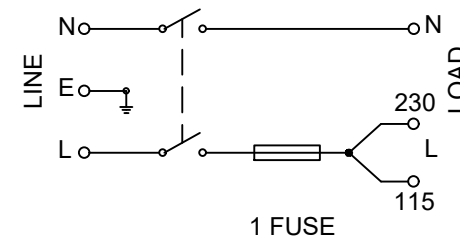
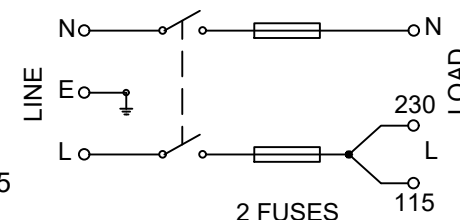
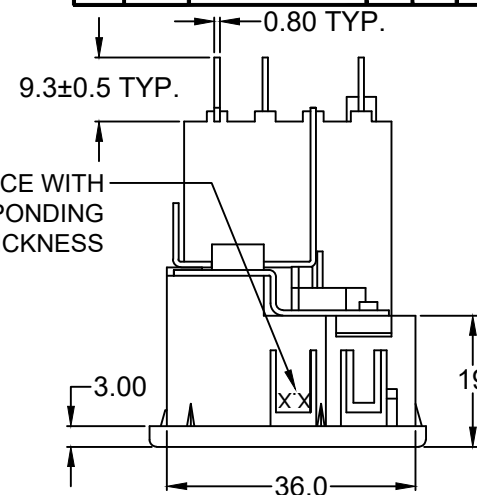
3) PANEL THICKNESS



RECOMMENDED
 PANEL CUTOUT



REVISIONS					
REV	DATE	CHANGE	CHNG	CHK	APPR
A	12/2/05	ADD PANEL THICKNESSES	PB		
B	1/6/22	REVISED CURRENT RATINGS	PB		



SCHEMATICS

P/N	A	MAX. PANEL THICKNESS
42R39-3X2X-150	1.5	1.5
42R39-3X2X-160	1.6	1.6
42R39-3X2X-200	2.0	2.0
42R39-3X2X-230	2.3	2.3
42R39-3X2X-250	2.5	2.5
42R39-3X2X-300	3.0	3.0

ADDITIONAL PANEL THICKNESS AND ONE
 POLE SWITCH AVAILABLE ON REQUEST

TOLERANCE
 UNLESS OTHERWISE SPECIFIED
 X ± 1
 X.X ± 0.4
 X.XX ± 0.20

DRAWN BY	GQ	DATE:	09/24/01
CHECK BY	TD	DATE:	09/26/01
APPR BY	PB	DATE:	09/26/01

Power Dynamics, Inc.

Phone: 973 560-0019 Whippany, New Jersey Fax: 973 560-0076

PART: IEC 60320 APPL. INLET, VOLTAGE SELECTOR
 FUSE HOLDER; SOLDER TERMINALS; SNAP-IN

PART #: 42R39-3X2X-XXX		SHEET 1 of 1
SIZE: A	ALL DIMENSIONS FOR REFERENCE ONLY DIMENSIONS ARE IN MILLIMETERS	REV: B
SCALE: NTS		