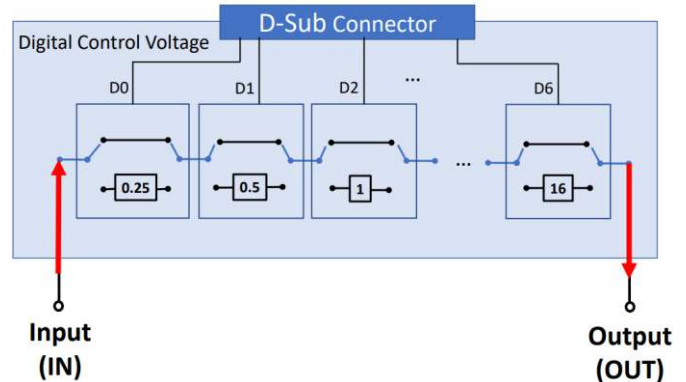




RoHS Compliant



Electrical Schematic

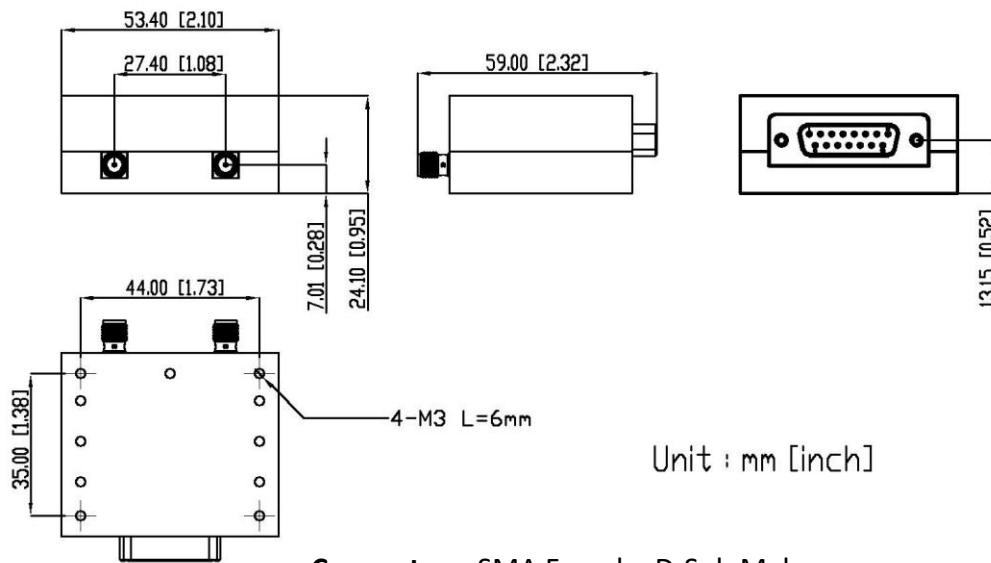
Electrical Specifications

Parameter	Unit	Frequency (MHz)	Conditions	Min.	Typ.	Max.	
Attenuation Range	dB	200 - 6000		0		31.75	
Step	dB				0.25		
Insertion Loss	dB			@ 0 dB Atn.		3.0	3.2
Attenuation Accuracy	dB			@ 0.25 dB Atn.		±0.02	±0.03
				@ 0.5, 1, 2 dB Atn.		±0.08	±0.10
				@ 4, 8, 16 dB Atn.		±0.21	±0.32
				@ 31.75 dB Atn.		±0.94	±1.10
Input Operating Power (RF In and RF Out ports)	dBm						24
IP3 Input	dBm					51	
VSWR	:1		@ 0 dB Atn.	Input		1.53	1.54
				Output		1.48	
Switching Speed	ns			10% to 90% RF Output		70	
				50% Control to 90% RF Output		165	
Supply Voltage Range (V _{DD})	V				3		5.4
Control Voltage Threshold	V		Low	V _{DD} = 3.3 V	0		0.5
		V _{DD} = 5 V		0		0.8	
		High	V _{DD} = 3.3 V	2		3.3	
			V _{DD} = 5 V	3.5		5	

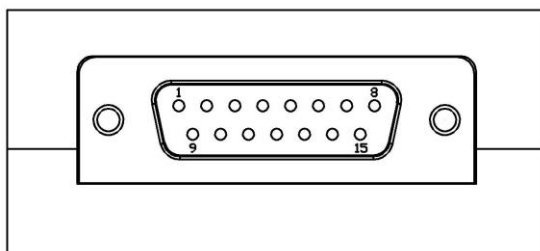
Digital Control Voltage Range	V			0		V_{DD}
Supply Current (I_{DD})	mA			$V_{DD} = 3.3\text{ V}$	0.3	
				$V_{DD} = 5\text{ V}$	0.6	

Operated in 50Ω system, 25°C environment.

Outline Drawing



Connectors: SMA Female, D-Sub Male

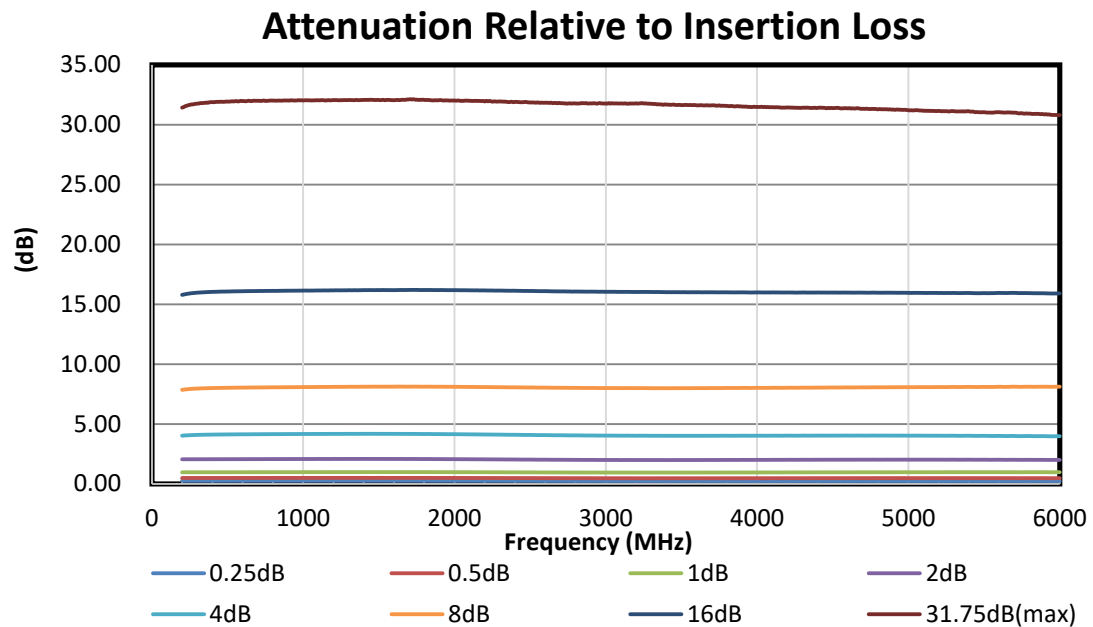


Pin Number Functions

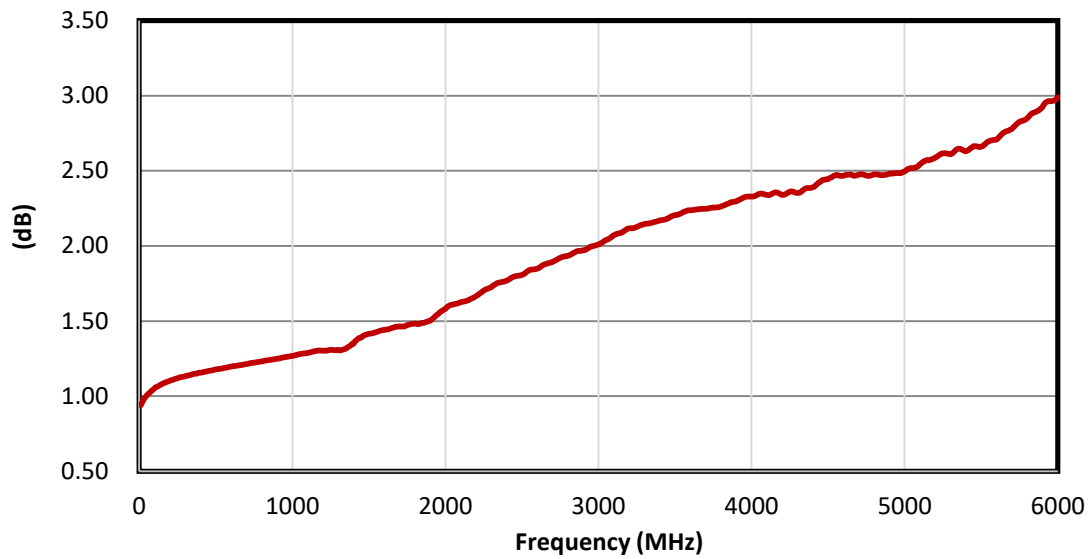
No.	15	14	13	12	11
Func.	D0	D1	D2	D3	D4
No.	10	9	8	7	6
Func.	D5	D6	V_{DD}	N/C	P/S(0V)
No.	5	4	3	2	1
Func.	N/C	N/C	GND	N/C	N/C

Digital Control Input							Attenuation State (dB)
D0	D1	D2	D3	D4	D5	D6	
Low	Low	Low	Low	Low	Low	Low	0 (reference)
High	Low	Low	Low	Low	Low	Low	0.25
Low	High	Low	Low	Low	Low	Low	0.5
Low	Low	High	Low	Low	Low	Low	1
Low	Low	Low	High	Low	Low	Low	2
Low	Low	Low	Low	High	Low	Low	4
Low	Low	Low	Low	Low	High	Low	8
Low	Low	Low	Low	Low	Low	High	16
High	High	High	High	High	High	High	31.75

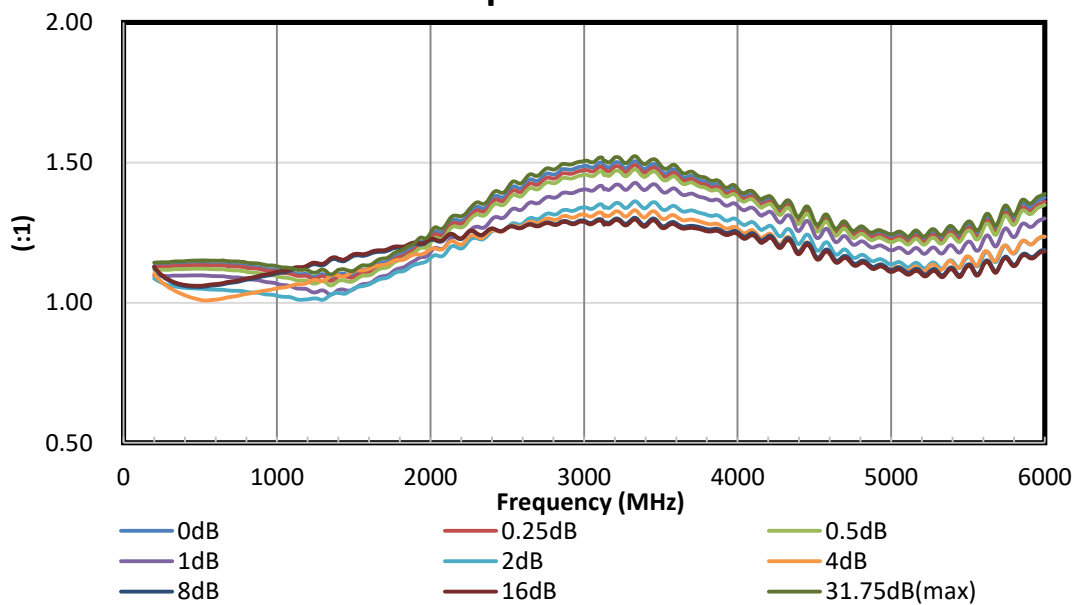
Typical Performance



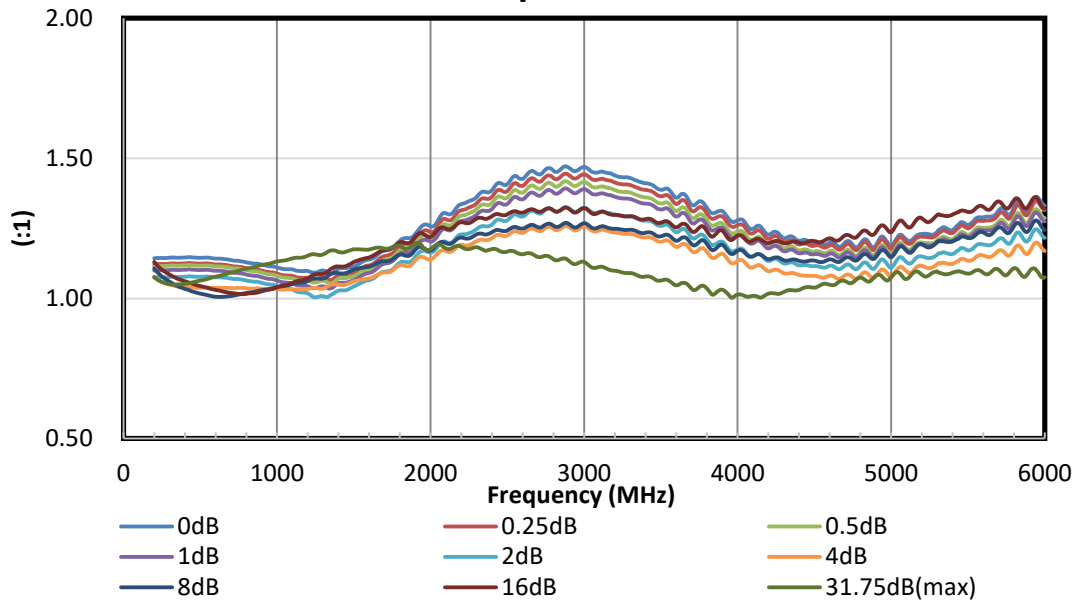
Insertion Loss



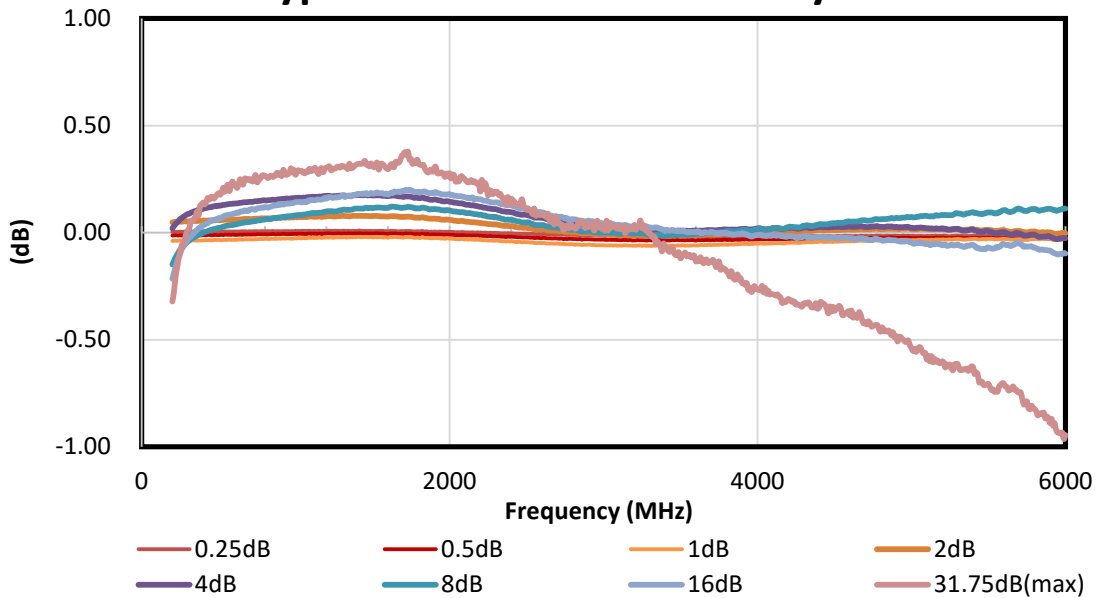
Input VSWR



Output VSWR



Typical Attenuation Accuracy



Typical performance S-parameter file: <https://www.amtery.com/en/goods-79>

For each S/N S-parameter file, go to <https://www.amtery.com/en/downloads>

Note: Specifications are subject to change without notice.