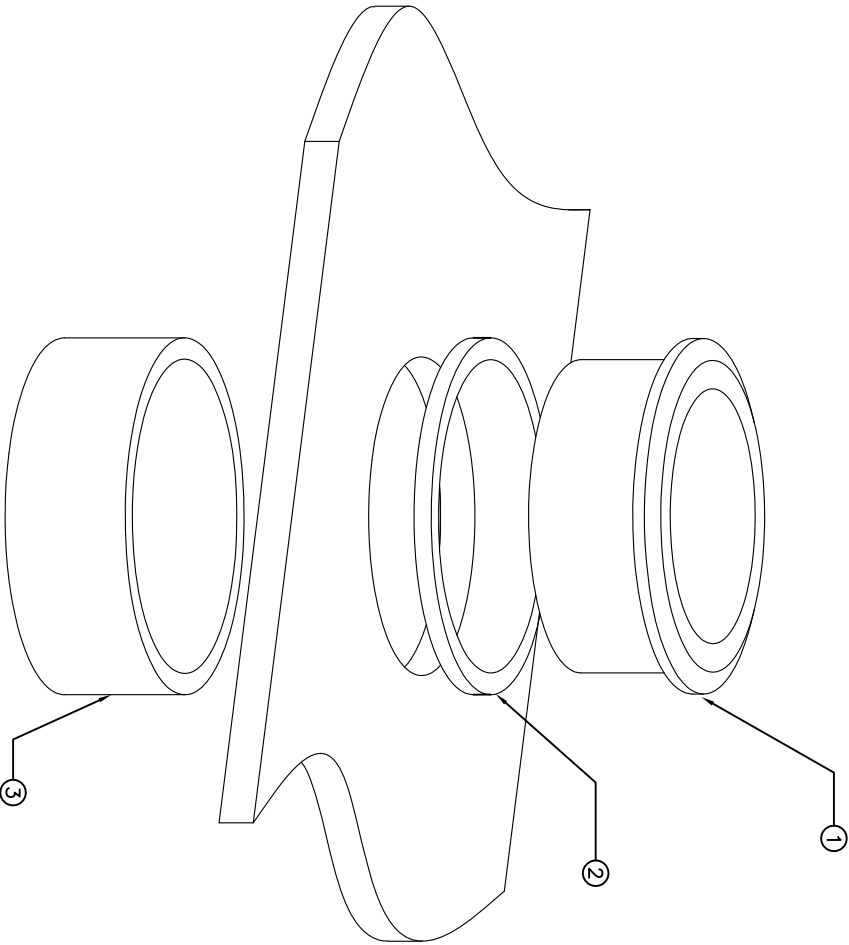


THIS DOCUMENT IS THE PROPERTY OF APDM COMPONENTS AND SHALL NOT BE COPIED, REPRODUCED, DISCLOSED OR USED AS THE BASIS FOR MANUFACTURING OR SALE WITHOUT PERMISSION OF A DULY AUTHORIZED REPRESENTATIVE OF APDM COMPONENTS INC.



DATE	SYM	REVISION RECORD	DWNL	CK
3/09	B	ECO# 833	CD	PD
4/09	C	ECO# 838	CD	PD

HP\*\*  
 L COLOR:  
 00 = CLEAR ANODIZED  
 02 = BLACK ANODIZED  
 03 = GREEN ANODIZED  
 06 = RED ANODIZED

NOTE: ALL COLOR OPTIONS WILL BE SUPPLIED WITH A BLACK SWITCH COLLAR (ITEM 3).

NUMBER	QTY.	DESCRIPTION	PART NUMBER
1	1	RECESSED SWITCH BEZEL	E0139P1
2	1	SEALING GASKET	26-0036
3	1	RECESSED SWITCH COLLAR	E0139P2

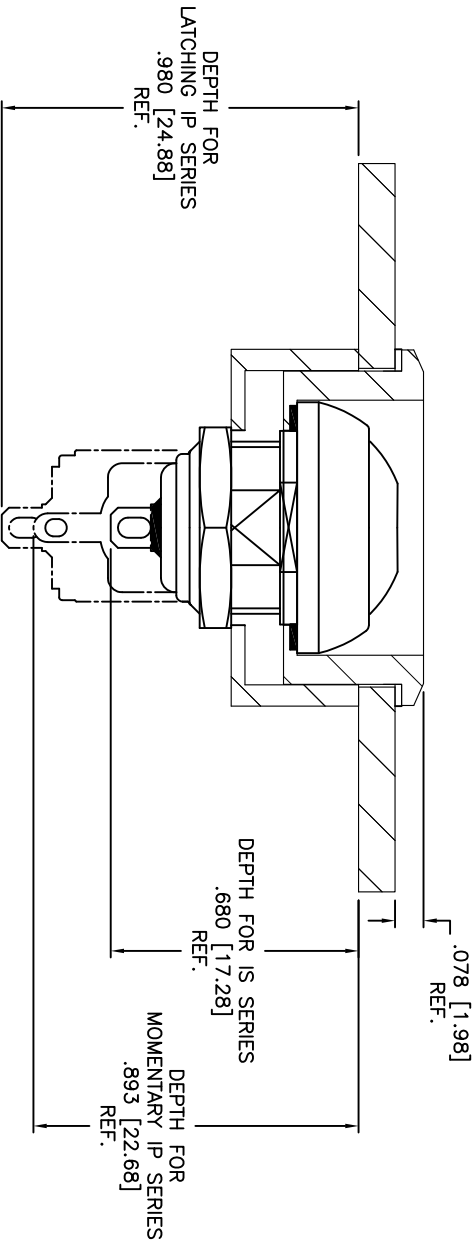
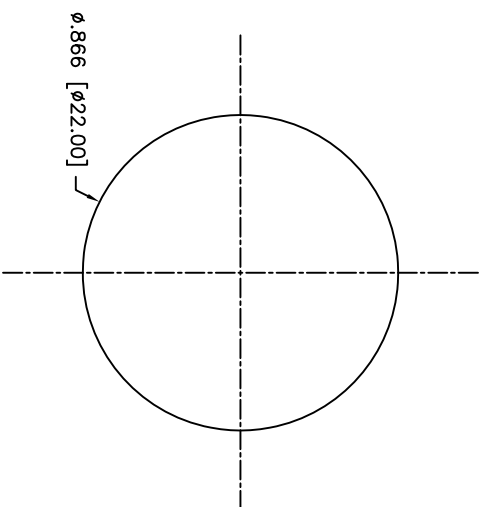
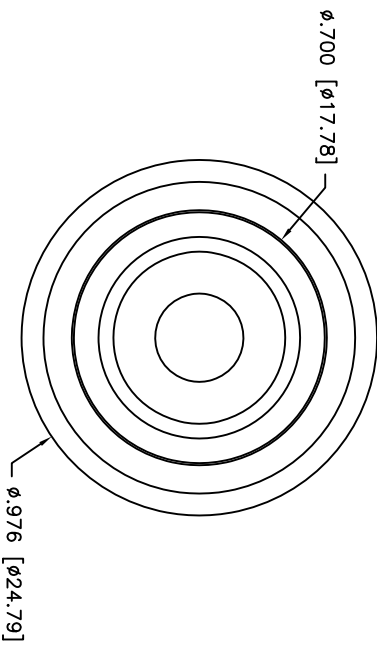
  

<b>Q.A. INSPECT:</b> Δ		<b>APDM</b> <small>APDM COMPONENTS</small> 63 Nork Rd. 01850 North Attleboro, MA Phone: 508-372-3534		P.N.: CJD BR.: P.D.:
<b>DESIGNATES CRITICAL DIMENSION</b>		INCH SHEET SIZE 1 OF 2 B	SCALE 3:1	THIRD ANGLE PROJECTION 
<b>TOLERANCES (UNLESS OTHERWISE SPECIFIED)</b> .XX = ±.02[0.5] .XXX = ±.008[0.20] .XXXX = ±.0008[0.02]		TITLE RECESSED PUSHBUTTON BEZEL		
ANGLE = 40.5°		DATE 2/17/09	DRAWING NO. HP**	REV C

1 2 3 4 5 6 7 8

A B C D E

THIS DOCUMENT IS THE PROPERTY OF APEM COMPONENTS AND SHALL NOT BE COPIED, REPRODUCED, DISCLOSED OR USED AS THE BASIS FOR MANUFACTURING OR SALE WITHOUT PERMISSION OF A DULY AUTHORIZED REPRESENTATIVE OF APEM COMPONENTS INC.



NOTE:  
MATERIAL: MACHINED ALUMINIUM

DATE	SYM	REVISION RECORD	DWN.	CK.

<b>Q.A. INSPECT:</b> Δ DESIGNATES CRITICAL DIMENSION				<b>63 Neck Rd. 01835</b> Hopkinton, MA Phone: 508-372-3554		DRN. CJD BR. PJD	
<b>DESIGNATOR:</b> 2000-4-0008 [0.02] <b>ANGLE:</b> = 30.5°		<b>TOLERANCES</b> (UNLESS OTHERWISE SPECIFIED) .XX = ±.02 [0.5] .XXX = ±.008 [0.20] .XXXX = ±.0008 [0.02]		<b>SHEET</b> 2 OF 2 <b>SIZE</b> B <b>SCALE</b> 3:1		<b>THIRD ANGLE PROJECTION</b> 	
<b>DATE:</b> 2/17/09		<b>TITLE:</b> RECESSED PUSHBUTTON BEZEL		<b>DRAWING NO.:</b> HP**		<b>REV:</b> C	

1 2 3 4 5 6 7 8