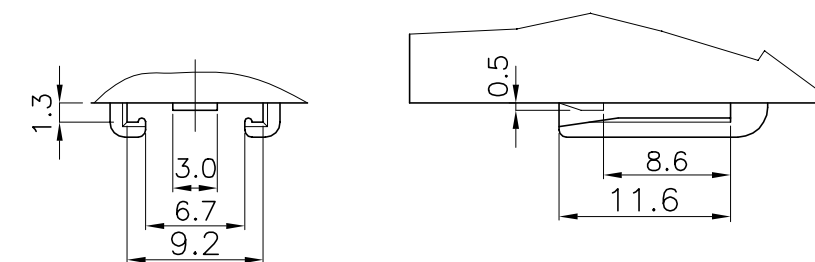
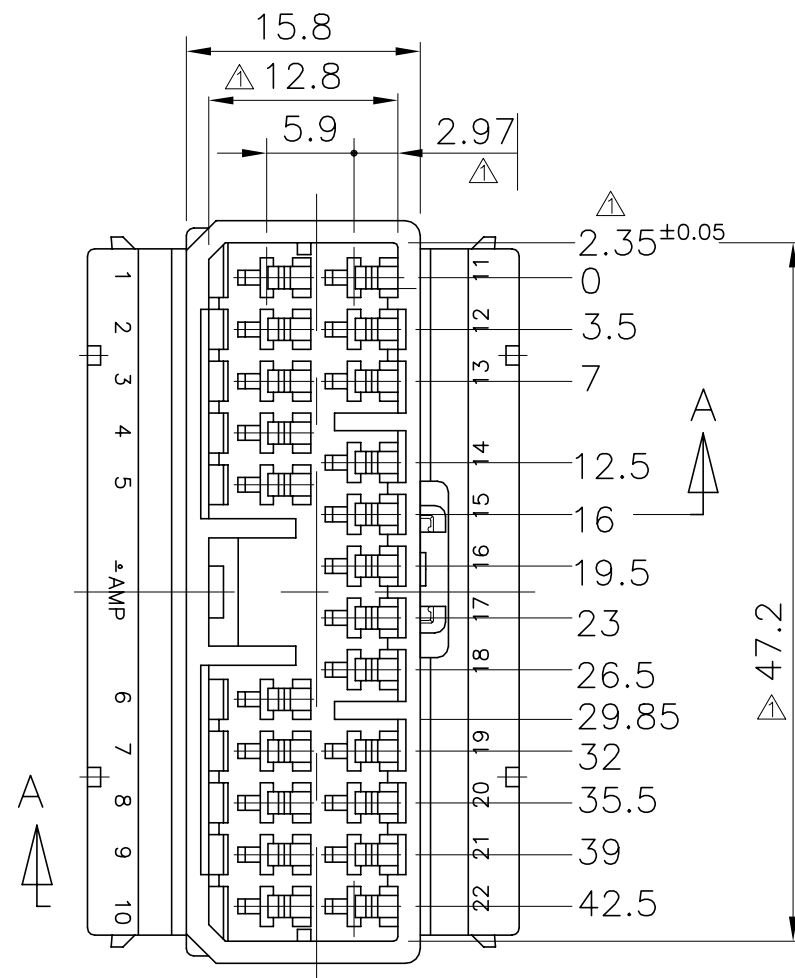
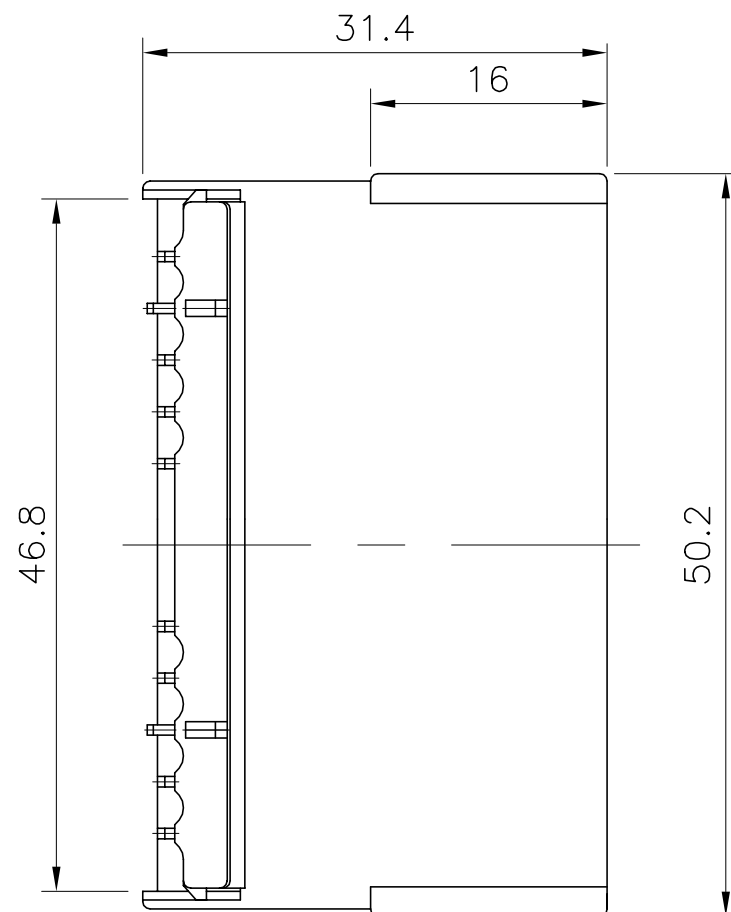
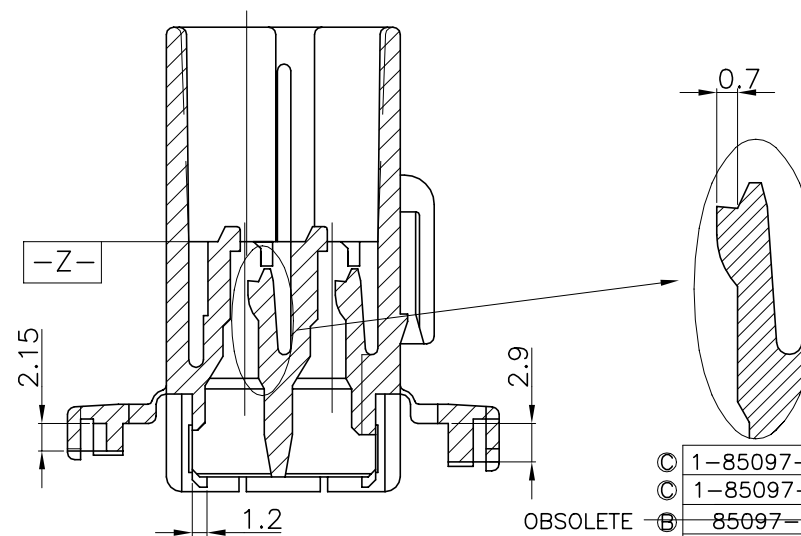
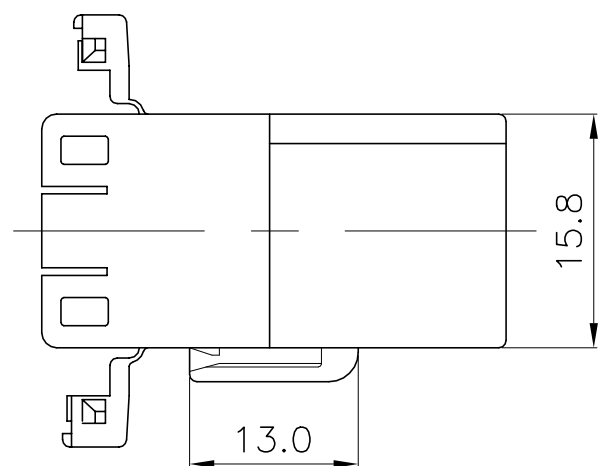


REVISIONS

P	LTR	DESCRIPTION	DATE	DWN	APVD
	C1	REVISE ECR-22-131614	01APR2022	VI	YJ



CLIP HOLE DETAIL



SECTION A-A

NOTE

- △ TO BE MEASURED BETWEEN **-Z-** AND 2.
- TO BE MATED WITH PLUG HSG SMOOTHLY.
- APPLIED CONTACT P/N : 173633 & 173645.
- APPLIED PLUG HSG P/N : 85096
- CURRENT RATING: 10A MAX

①	P/N	MATERIAL	COLOR	②
①	1-85097-7	P.B.T	YELLOW	FOR EXPORT-TRAY(50EA)/OUT BOX(400EA)
①	1-85097-1	P.B.T	WHITE	FOR EXPORT-TRAY(50EA)/OUT BOX(400EA)
②	85097-7	P.B.T	YELLOW	FOR LOCAL-POLY BAG(50EA)/INNER BOX(50EA)/OUT BOX(200EA)
②	85097-1	P.B.T	WHITE	FOR LOCAL-POLY BAG(50EA)/INNER BOX(50EA)/OUT BOX(200EA)

② PACKING

TOLERANCES UNLESS OTHERWISE SPECIFIED:

0 <XX<10	± 0.2
10 <XX<30	± 0.25
30 <XX	± 0.3
ANGLES	± 3°

THIS DRAWING IS A CONTROLLED DOCUMENT.

DIMENSIONS:	TOLERANCES UNLESS OTHERWISE SPECIFIED:
mm	0 PLC ± -
	1 PLC ± -
	2 PLC ± -
	3 PLC ± -
	4 PLC ± -
	ANGLES ± -
MATERIAL	FINISH
SEE TABLE	-

DWN	IS SHIN	
CHK	BM JANG	
APVD	JK SONG	NAME
PRODUCT SPEC		
APPLICATION SPEC		
WEIGHT	0	
CUSTOMER DRAWING	A3 00779	C-85097
SCALE	1:1	SHEET 1 OF 1
REV	C1	