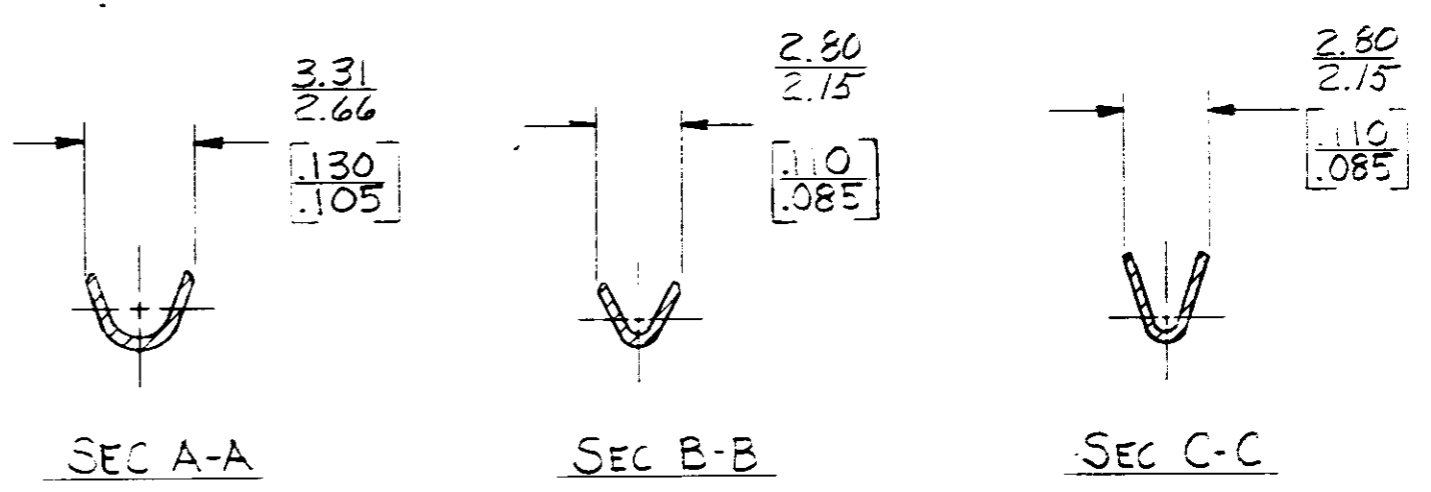
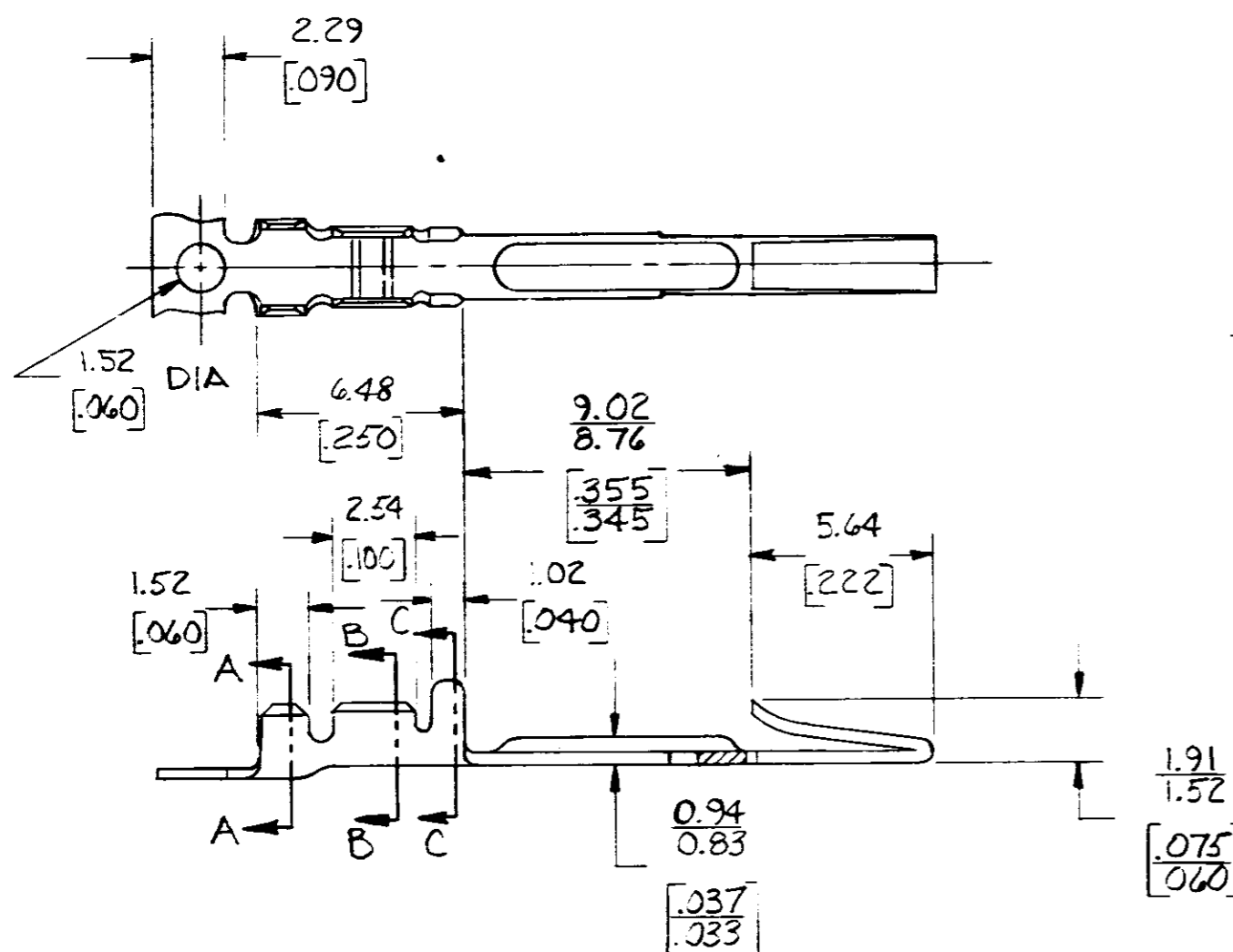


THIS DRAWING IS UNPUBLISHED. RELEASED FOR PUBLICATION . 19 .
 © COPYRIGHT 19 BY AMP INCORPORATED, HARRISBURG, PA. ALL INTERNATIONAL RIGHTS RESERVED. AMP PRODUCTS MAY BE COVERED BY U.S. AND FOREIGN PATENTS AND/OR PATENTS PENDING.

1		LOC	AF	DIST	50	
REVISIONS						
(P)	F	ZONE	LTR	DESCRIPTION	DATE	APPROVED
1			A	REVISED & RELEASED PER 9-6080 P.A.R.	6/17/83	SS/AC



1. DIM'S IN BRACKETS ARE IN INCHES.
 2. CONTINUOUS STRIP ON REELS.

METRIC

1.76-1.39 [069-.055]		0.2-0.6 mm ² [24-20]		63271-1	
INSUL RANGE		WIRE RANGE		PART NO	
UNLESS OTHERWISE SPECIFIED DIMENSIONS ARE IN INCHES. MM TOLERANCES ON DECIMALS ±0.38 [05] ANGLES ±		CONTRACT NO DR 1-28-83 CHK G. Yetter 1/31/83		AMP AMP INCORPORATED Harrisburg, Pa.	
MATERIAL 0.36 [014] BRASS		APPD APPD DSGN APPD OTHER APPD		NAME COIL TERMINAL	
FINISH PRE-TIN		SIZE B		FSCM NO 00779	
		DRAWING NO 63271		SHEET	