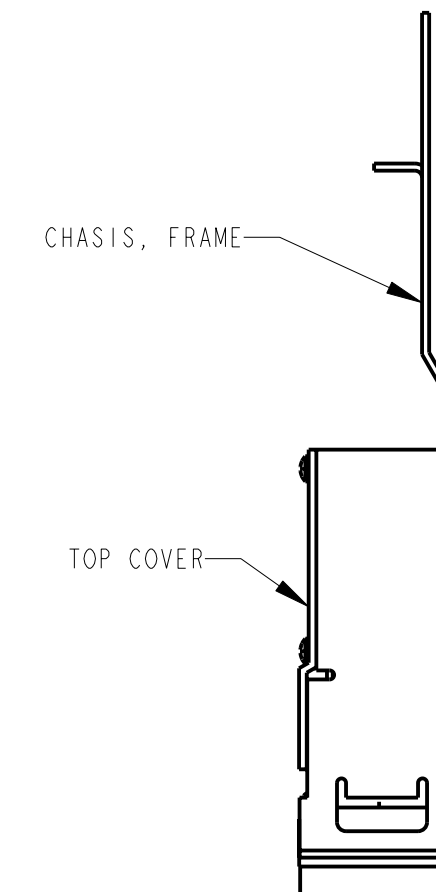


XMT JACKS
SEE TABLE AND SCHEMATIC



NOTES:

- MATERIALS:
CHASIS, FRAME - CRS, BLACK EPOXY PAINT
TOP COVER - ALUMINUM, BLACK ANNOXIDIZED
JACK INSULATOR BLOCKS - THERMOPLASTIC, BLACK
JACK FRAME - CRS, NICKEL PLATED
JACK BUSHING - BRASS, NICKEL PLATED
- MOUNTING SCREWS, DESIGNATION STRIPS, MARKING STRIPS AND COVERS SHIPPED UNASSEMBLED.
- RoHS COMPLIANT.

PART NUMBER	TYPE	JACK PART NUMBERS
MT48K1FNX	FULL NORMAL	XMT334BNX (48)
MT48K1HNX	HALF NORMAL	XMT332BNX (24) TOP XMT334BNX (24) BOTTOM
MT48K1NNX	NON-NORMAL	XMT332BNX (48)
MT48K1NSX	FULL NORMAL NORMALS STRAPPED	XMT334BNX (48)

CUSTOMER DRAWING

★ STAR SYMBOL DENOTES CRITICAL DIMENSION					THIS DRAWING DESCRIBES A DESIGN CONSIDERED PROPRIETARY IN NATURE, DEVELOPED AND MANUFACTURED BY SWITCHCRAFT INC. AND IS RELEASED ON A CONFIDENTIAL BASIS FOR IDENTIFICATION PURPOSES ONLY.				
UNLESS OTHERWISE SPECIFIED					SIZE	WIDTH	MULT	LBS/M	TEMPER
1. ALL DIMENSIONS IN INCHES - TWO PLACE DECIMALS ±0.01 - THREE PLACE DECIMALS ±0.005 - ANGLES ±1° - ALL DIA. CONCENTRIC WITHIN 0.005 T.I.R.					FINISH SPEC No.		MATERIAL SPEC No.		
2. FEATURES ON THE SAME CENTERLINE MUST BE ALIGNED WITHIN ±0.002					FIRST USED ON		SCALE 1:2		
3. REMOVE ALL BURRS					DATE DRAWN	BY	CHKD TO	APVD TJK	Switchcraft
DO NOT SCALE DRAWING					24-Nov-10	TO	11-24-10	11-24-10	SHEET OF
REVISIONS					NAME IRU, UNWIRED		PART No. MT48K1_X_SERIES		REV B