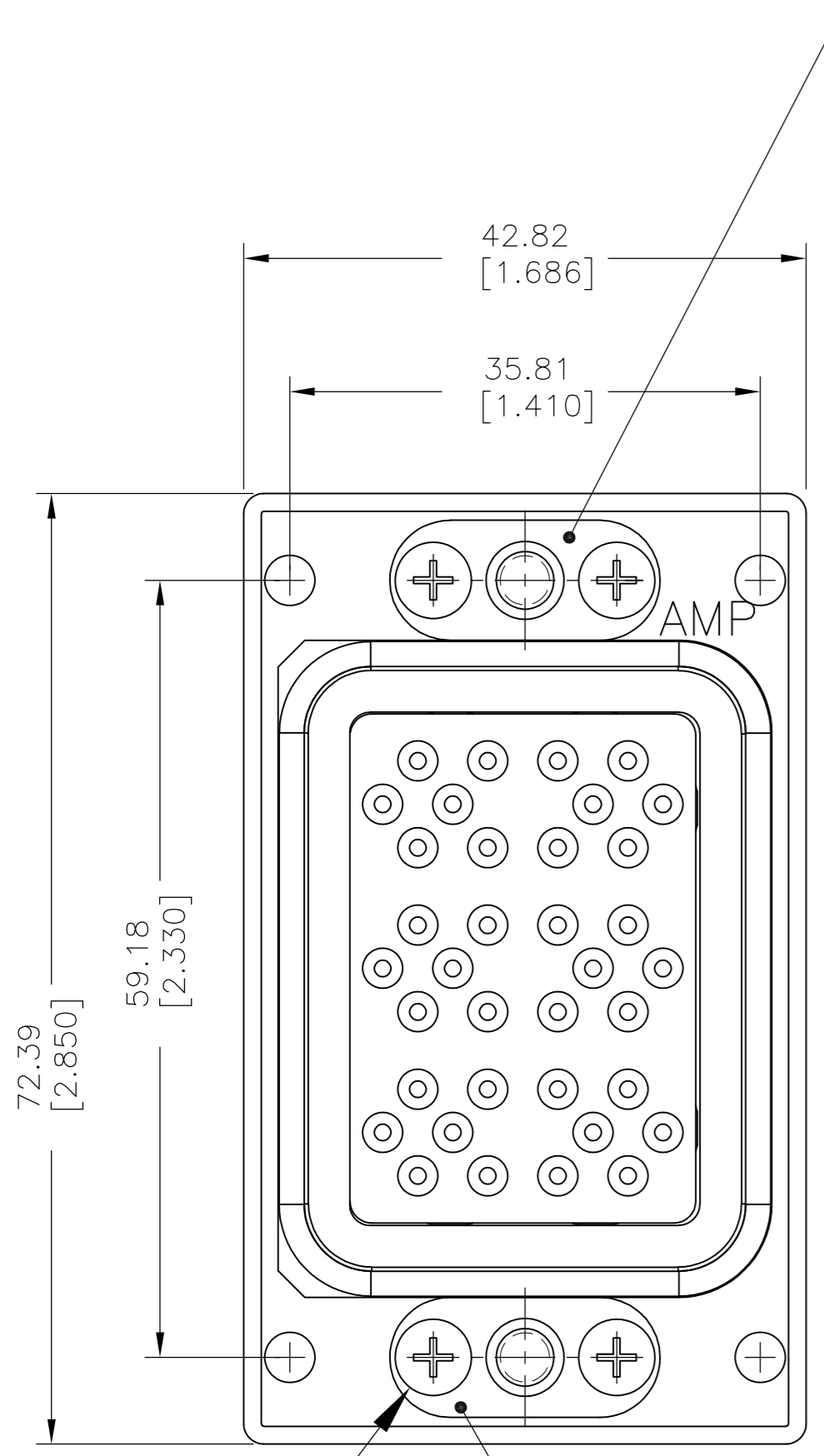
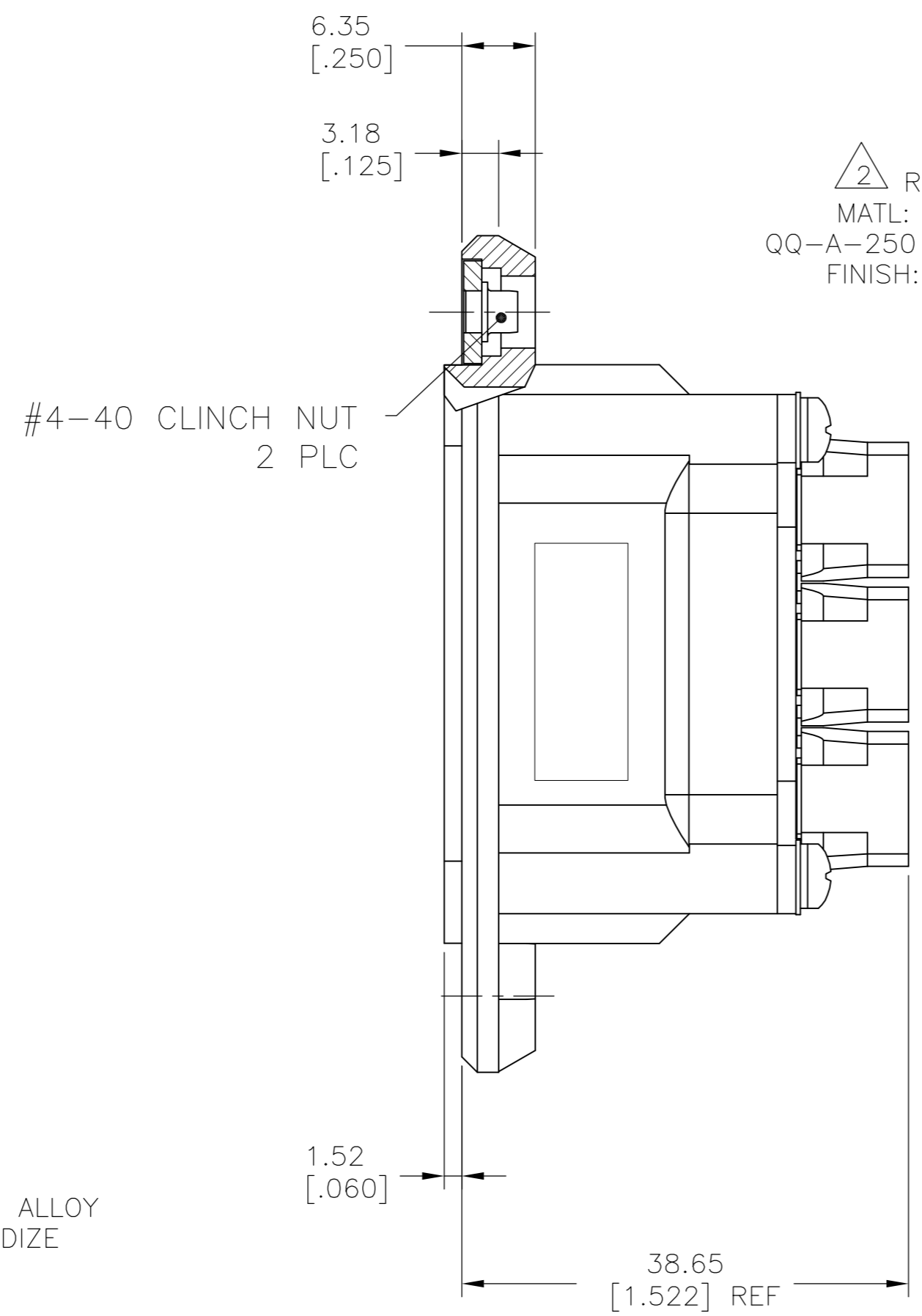


THIS DRAWING IS UNPUBLISHED. RELEASED FOR PUBLICATION
 © COPYRIGHT BY TYCO ELECTRONICS CORPORATION. ALL INTERNATIONAL RIGHTS RESERVED.

LOC		DIST		REVISIONS			
P	LTR	DESCRIPTION		DATE	DWN	APVD	
DF	XO	G		REV PER ECO 08-026967	11NOV08	CT	KT



RETAINING PLATE
 MAT'L: ALUMINUM ALLOY
 FINISH: BLUE ANODIZE



#4-40 CLINCH NUT
 2 PLC

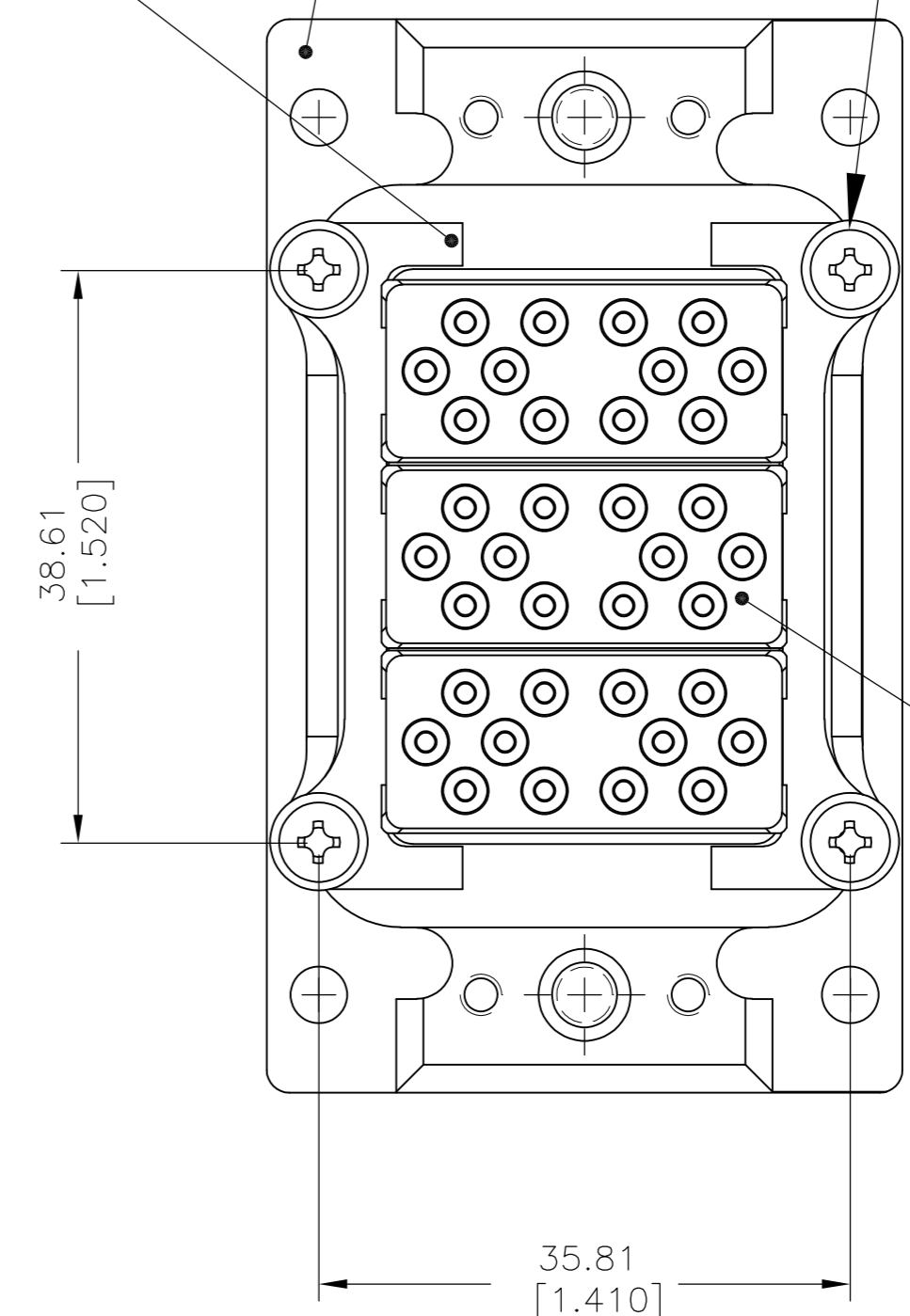
RETAINING PLATE
 MAT'L: ALUMINUM ALLOY
 FINISH: RED ANODIZE

#4-40 SCREW, FLAT HEAD
 MATL: STAINLESS STEEL
 FINISH: PASSIVATE
 4 PLC

2 RETAINING PLATE
 MATL: ALUMINUM PER
 QQ-A-250 OR QQ-A-591
 FINISH: ALODINE 1200

SHELL
 MATL: ALUMINUM ALLOY PER
 QQ-A-250 OR QQ-A-591
 FINISH: ELECTROLESS NICKEL

#4-40 SCREW, PAN HEAD
 MATL: STEEL
 FINISH: CHROMATE
 4 PLC



36F36 INSERT
 REAR RELEASE
 REAR REMOVE
 MATL: THERMOPLASTIC
 EPOXY
 COLOR: BLACK
 3 PLC
 TE PN 1757549-2

- RUBBER GROMMET MAY BE ONE OR THREE PARTS.
- RETAINING PLATE MAY BE ONE OR TWO PIECES
- INSTALL LuxCis TERMINI INTO THE PROPER INSERT POSITION ACCORDING TO ARINC 806-2, SECTION 7.4.2.f.

1996183-1
 PART NUMBER

THIS DRAWING IS A CONTROLLED DOCUMENT.		DWN C.C.THOMAS 7-16-07	Tyco Electronics Corporation Harrisburg, PA 17105-3608	
DIMENSIONS: mm [INCHES]		CHK K.THACKSTON 7-16-07	NAME SINGLE MOD RECEPTACLE ASSY,ARINC 600,F36	
TOLERANCES UNLESS OTHERWISE SPECIFIED:		APVD K.THACKSTON 7-16-07	SIZE A2	
0 PLC ± -		PRODUCT SPEC	CAGE CODE 00779	DRAWING NO 1996183
1 PLC ± -		APPLICATION SPEC	RESTRICTED TO	
2 PLC ± -			SCALE 2:1	SHEET 1 OF 1
3 PLC ± .005 [0.13]		WEIGHT -	REV G	
4 PLC ± -				
ANGLES ± -				
FINISH SEE CALLOUTS		CUSTOMER DRAWING		