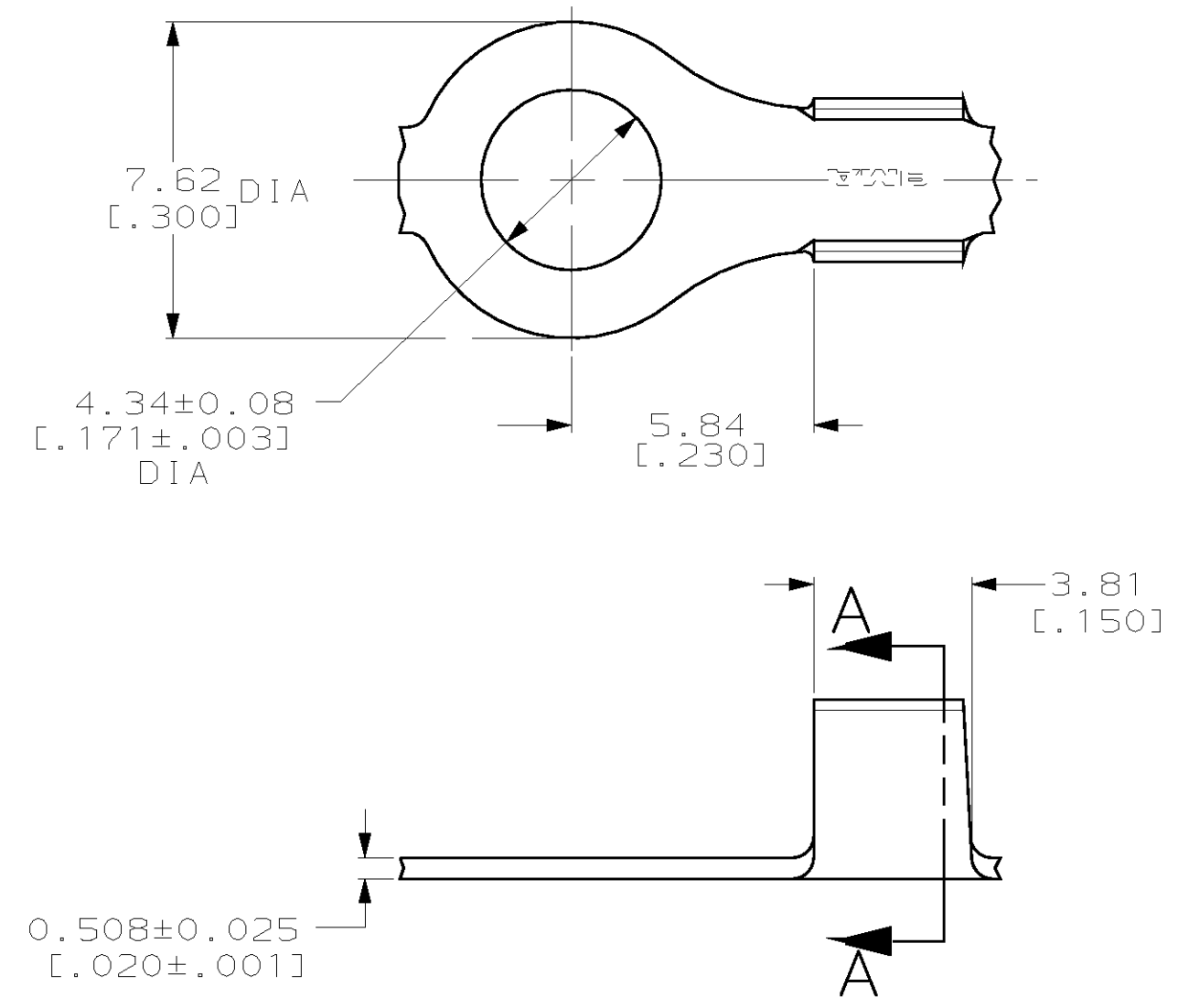
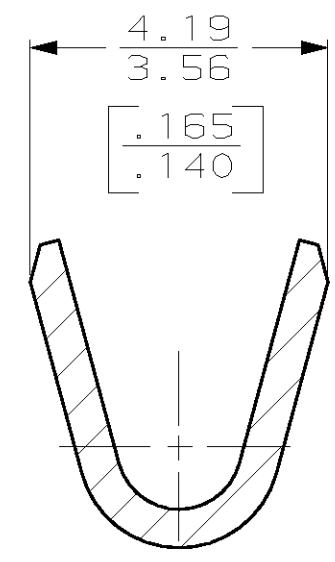


THIS DRAWING IS UNPUBLISHED. RELEASED FOR PUBLICATION ,19 .  
 © COPYRIGHT 19 BY AMP INCORPORATED. ALL RIGHTS RESERVED.

LOC		DIST		REVISIONS			
P	LTR	DESCRIPTION		DATE	DWN	APVD	
AF	50	E		REVISED PER 0G3A-0271-02	19AUG02	MF	DD



1 CONTINUOUS STRIP ON REEL.



SECTION A-A  
SCALE 10:1

[18-14] AWG	41346	
WIRE RANGE	PART NUMBER	
AMP Incorporated Harrisburg, PA 17105-3608		
NAME		
TERMINAL, RING		
SIZE	CAGE CODE	DRAWING NO
A3	00779	C-41346
CUSTOMER DRAWING		SCALE 6:1 SHEET 1 OF 1 REV E

THIS DRAWING IS A CONTROLLED DOCUMENT.		DWN 02/AUG/96 PHILLIP M FORTNEY
DIMENSIONS: mm [inches]		CHK 02/AUG/96 JEFF R RUTH
TOLERANCES UNLESS OTHERWISE SPECIFIED:		APVD 02/AUG/96 GARY YETTER
0 PLC ±-	1 PLC ±-	PRODUCT SPEC
2 PLC ±0.25 [.010]	3 PLC ±-	APPLICATION SPEC
4 PLC ±-	ANGLES ±-	WEIGHT -
MATERIAL T3 STEEL	FINISH NICKEL	