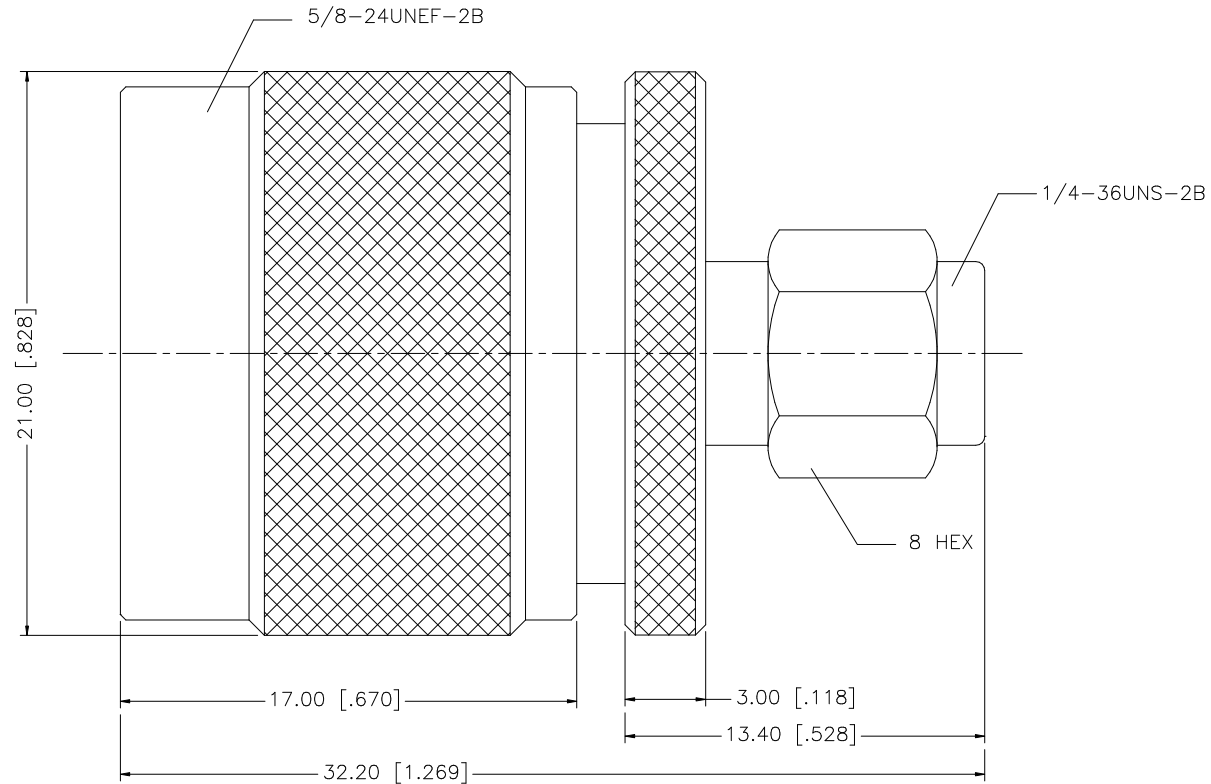


REV.	DATE	DESCRIPTION
NC	01/08/97	INITIAL RELEASE
A	06/10/07	UPDATE DRAWING FORMAT



8					<small>UNLESS OTHERWISE SPECIFIED DIMENSIONS ARE IN MILLIMETERS. DIMENSIONS IN [] ARE IN INCHES AND FOR CUSTOMER REFERENCE ONLY.</small> <small>UNLESS OTHERWISE SPECIFIED TOLERANCES FOR MILLIMETERS ARE:</small> 0.5 - 8mm ± 0.20mm 8 - 30mm ± 0.40mm 30 - 120mm ± 0.50mm <small>UNLESS OTHERWISE SPECIFIED TOLERANCES FOR INCHES ARE:</small> .020 - .315 = ± 0.007" .315 - 1.180 = ± 0.015" 1.180 - 4.724 = ± 0.020"	APPROVALS	DATE	<h1 style="color: blue;">Amphenol Connex</h1>			
7				DRAWN		G.R.S.	06/10/07		PART DESCRIPTION SMA MALE TO N MALE ADAPTER -		
6				CHECKED							
5				ISSUED							
4					SHEET	1 OF 1		PART NO.	242114		
3	CONTACT PIN	BRASS	GOLD	1	CAD FILE	C:/242/242114.DWG	DWG. NO.	242114.DWG	REV. A	SIZE A	SCALE NA
2	INSULATOR	TEFLON	NATURAL	1	DO NOT SCALE DRAWING						
1	SHELL/BODY	BRASS	NICKEL	1							