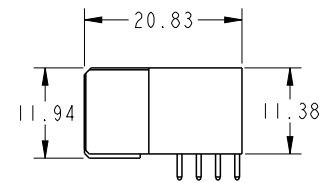
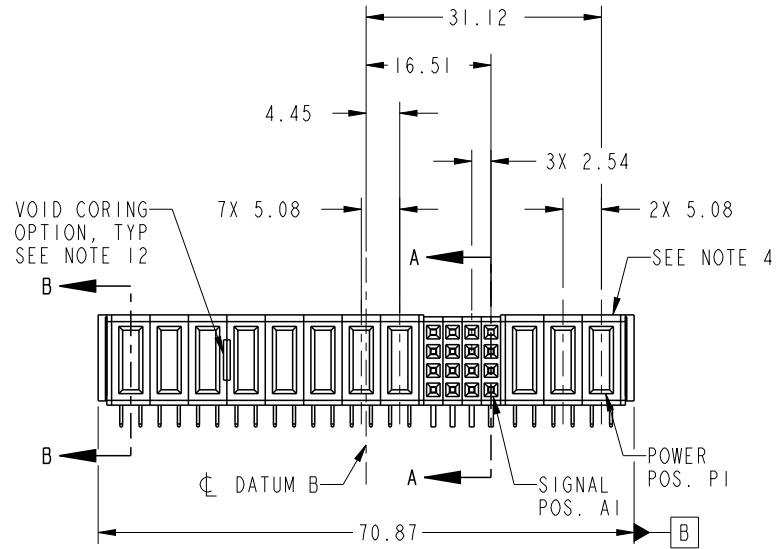




Copyright FCI.

PRODUCT NO. 51915-303-- NOTE 3	ROWS D C B A	POWER								SIGNAL				POWER		
		P11	P10	P9	P8	P7	P6	P5	P4	4	3	2	1	P3	P2	P1
		PC	PC	PC	PC	PC	PC	PC	PC	H	H	H	H	PA	PC	PC
										G	G	G	G			
										F	F	F	F			
										E	E	E	E			



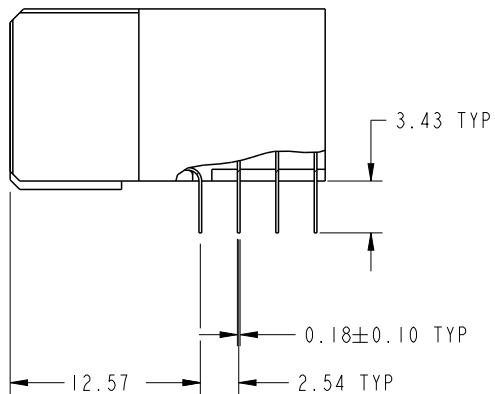
CODE	DIM "M" MATING LENGTH	CONTACT TYPE
PC	[2.34]	POWER
H	[N/A]	SIGNAL
G	[N/A]	SIGNAL
F	[N/A]	SIGNAL
E	[N/A]	SIGNAL
PA	[1.07]	POWER

spec ref	See Notes		dr	X Q Wang	2011/06/04	projection 	MM 	size	A4	scale	1:1
tolerance std	TOLERANCES UNLESS OTHERWISE SPECIFIED		eng	Guang, Shi	2011/07/15			ecn no	-		
See Notes			chr	-	-			rel level	Released		
surface	linear	0.X ±0.50	appr	Pei-Ming Zheng	2011/07/15	product family	PwrBlade	rev	A		
		0.XX ±0.25				title	3P + 16S + 8P	dwg no	51915-303		
		0.XXX ±0.10					R/A SOLDER RECEPTACLE				
	angular	0° ±2°	www.fci.com	cat. no.	-	Product - Customer Drw	sheet 1 of 4				

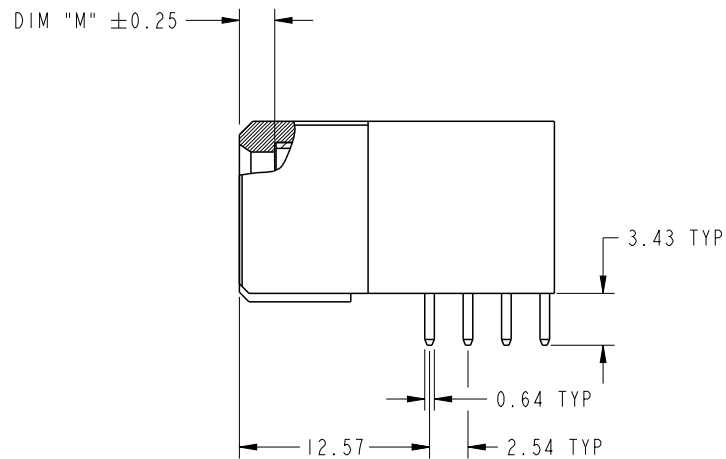
PrdE File - REV C - 2009-06-09

PRODUCT NUMBER

51915-303\_  
NOTE: 3



BROKEN-OUT SECTION A-A  
SCALE 2:1



BROKEN-OUT SECTION B-B  
SCALE 2:1

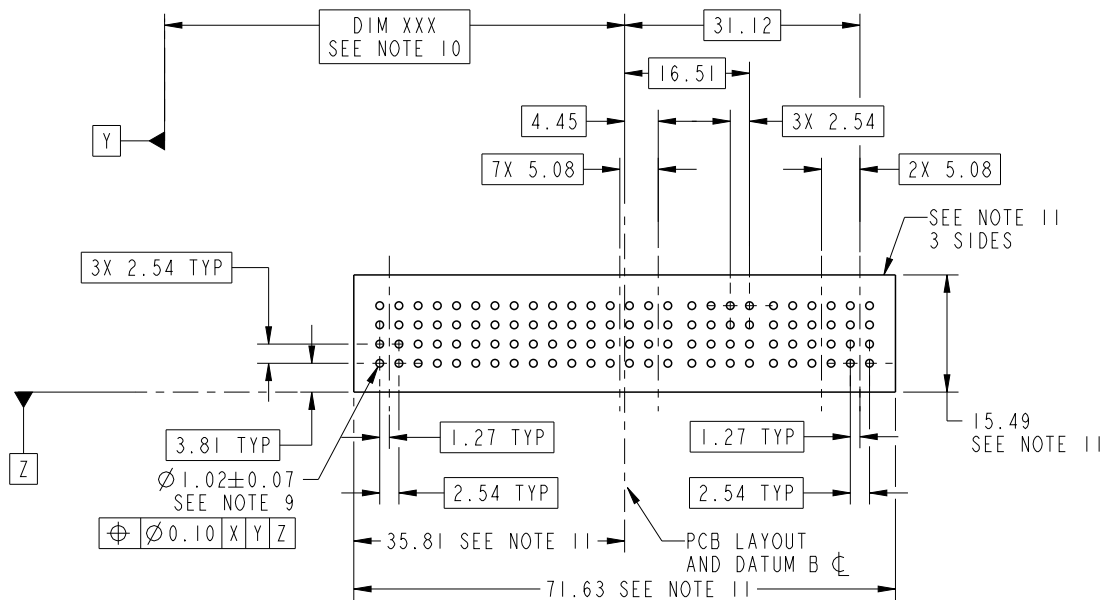


Copyright FCI.

spec ref	See Notes			dr	X Q Wang	2011/06/04	projection 	MM ←→	size	A4	scale	1:1	
tolerance std	TOLERANCES UNLESS OTHERWISE SPECIFIED			eng	Guang, Shi	2011/07/15			ecn no	-			
See Notes				chr	-	-							
surface	linear	0.X	±0.50	appr	Pei-Ming Zheng	2011/07/15	product family	PwrBlade		rel level	Released		
		0.XX	±0.25				title	3P + 16S + 8P		dwg no	51915-303	rev	A
		0.XXX	±0.10					R/A SOLDER RECEPTACLE					
	angular	0°	±2°	www.fci.com	cat. no.	-	Product - Customer Drw			sheet 2 of 4			

PRODUCT NUMBER

51915-303\_\_  
NOTE: 3



RECOMMENDED PCB LAYOUT

spec ref	See Notes			dr	X Q Wang	2011/06/04	projection 	MM 	size	A4	scale	1:1	
tolerance std	TOLERANCES UNLESS OTHERWISE SPECIFIED			eng	Guang, Shi	2011/07/15			ecn no	-			
See Notes				chr	-	-			rel level	Released			
surface	linear	0.X	±0.50	FCj www.fci.com	title	3P + 16S + 8P R/A SOLDER RECEPTACLE	product family	PwrBlade	dwg no	51915-303	rev	A	
		0.XX	±0.25										
		0.XXX	±0.10										
	angular	0°	±2°	cat. no.	-	Product - Customer Drw	sheet 3 of 4						

PRODUCT NUMBER

51915-303\_\_  
NOTE: 3

NOTES:

1. DIMENSIONS AND TOLERANCES ARE IN ACCORDANCE WITH ASME Y14.5M, 1994 UNLESS OTHERWISE SPECIFIED.

CONNECTOR NOTES:

- 2. HOUSING MATERIAL: UL 94 V-0 GLASS FILLED HIGH-TEMP THERMOPLASTIC  
POWER CONTACT MATERIAL: COPPER ALLOY  
SIGNAL PIN MATERIAL: COPPER ALLOY
- 3. SEE ITEM 5 & 6 IN PRINT 10064183 FOR PLATING SPEC OF 51915-303 AND 51915-303LF RESPECTIVELY.
- 4. MANUFACTURER'S NAME, DATE CODE AND OPTIONAL P/N TO APPEAR ON THIS SURFACE. THE P/N CAN BE OMITTED IF THERE IS NOT ENOUGH SPACE ON THIS SURFACE.
- 5. PRODUCT SPECIFICATION GS-12-149.  
APPLICATION SPECIFICATION BUS-20-067.
- 6. PACKAGED IN TRAYS.

PCB NOTES:

- 7. ALL HOLE DIAMETERS ARE FINISHED HOLE SIZE.
- 8. MOUNTING HOLES, WHERE APPLICABLE, ARE UNPLATED.
- 9.  $\varnothing 1.151 \pm 0.025$  DRILLED HOLES PLATED WITH  
0.008 MIN SnPb OR Sn OVER 0.03  
TO 0.08 Cu PLATING TO ACHIEVE  
 $\varnothing 1.02 \pm 0.07$  HOLE.
- 10. "DIM XXX" TO BE DETERMINED BY THE CUSTOMER.
- 11. CONNECTOR KEEP-OUT ZONE.
- 12. THE VOID CORING IN BETWEEN POWER MODULES, SIGNAL MODULES AND END MODULES ARE OPTIONAL AND THE SHAPE MAY BE DIFFERENT FOR OPTIMIZE THE MOLDING PROCESS. THE VOID CORING WILL NOT EFFECT TO PRODUCT FUNCTION.

spec ref		See Notes		dr	X Q Wang	2011/06/04	projection 	MM 	size	A4	scale	1:1	
tolerance std		TOLERANCES UNLESS OTHERWISE SPECIFIED		eng	Guang, Shi	2011/07/15			ecn no	-			
See Notes				chr	-	-			product family	PwrBlade		rel level	Released
surface	linear	0.X	$\pm 0.50$		title	3P + 16S + 8P R/A SOLDER RECEPTACLE		dwg no	51915-303		rev	A	
		0.XX	$\pm 0.25$										
		0.XXX	$\pm 0.10$										
angular	0°	$\pm 2°$	www.fci.com	cat. no.	-	Product - Customer Drw			sheet 4 of 4				



Copyright FCI.