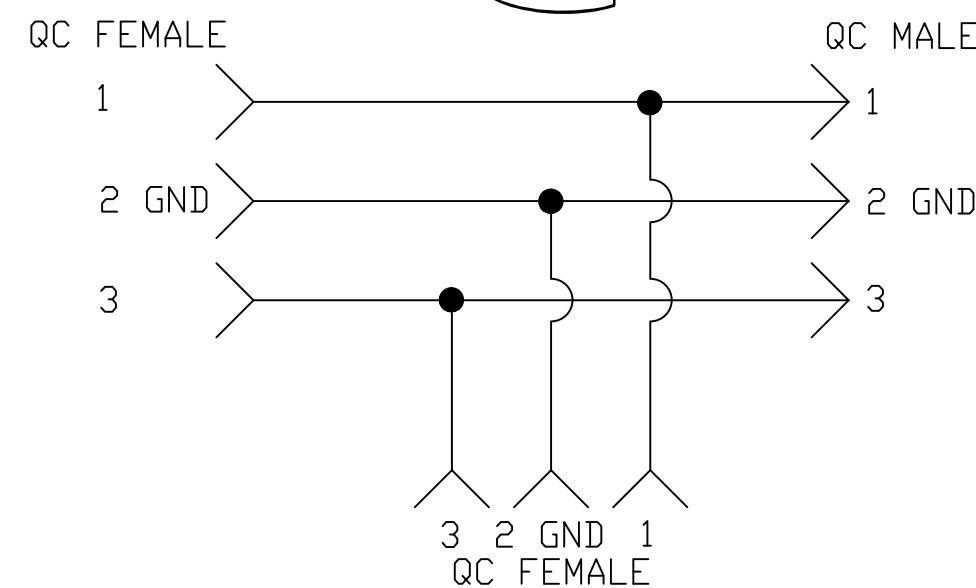
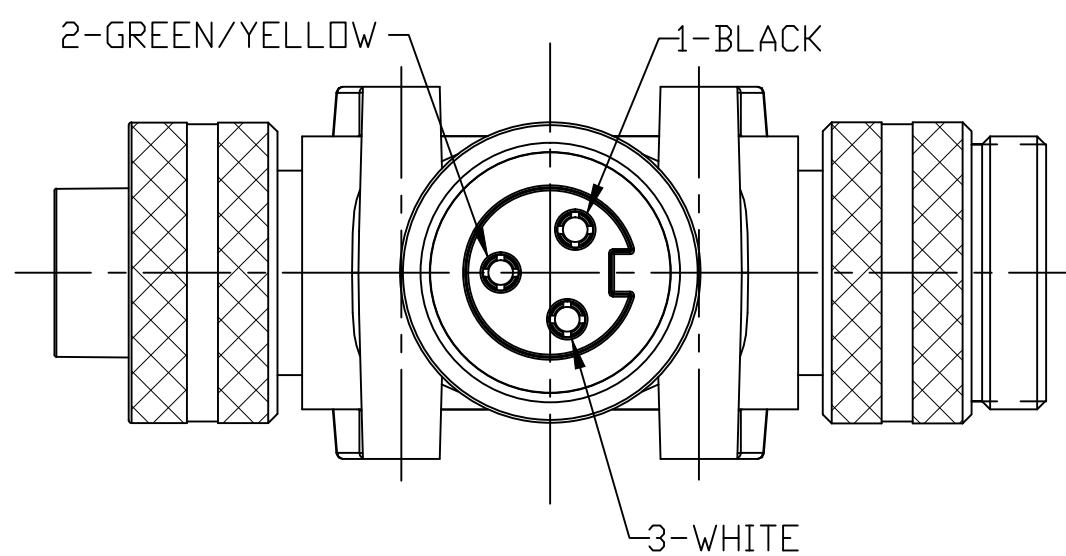
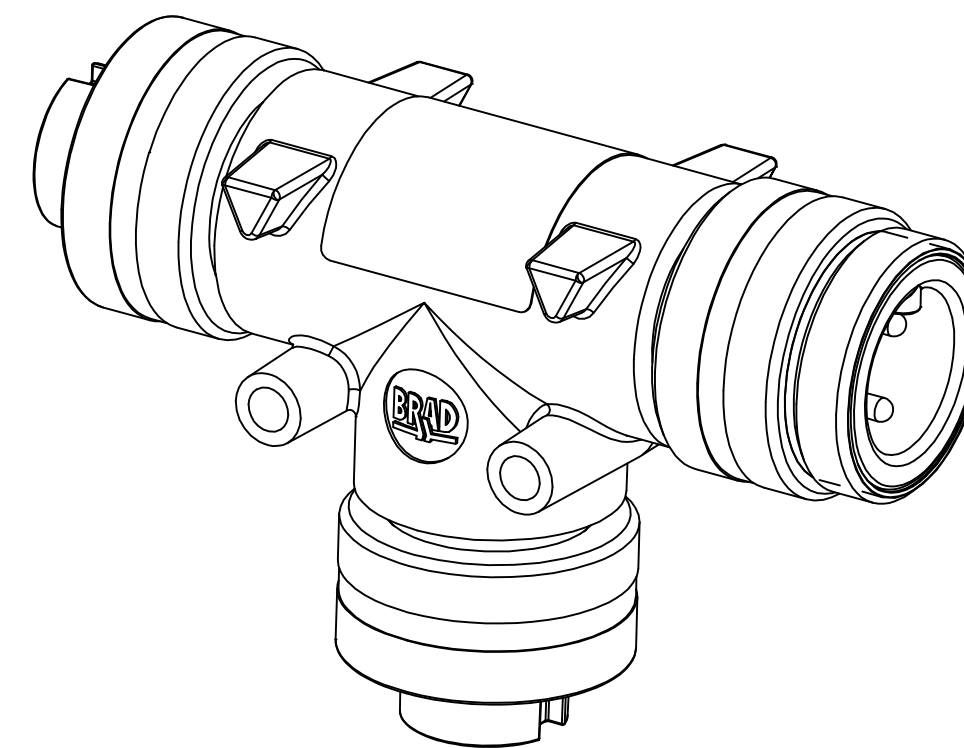
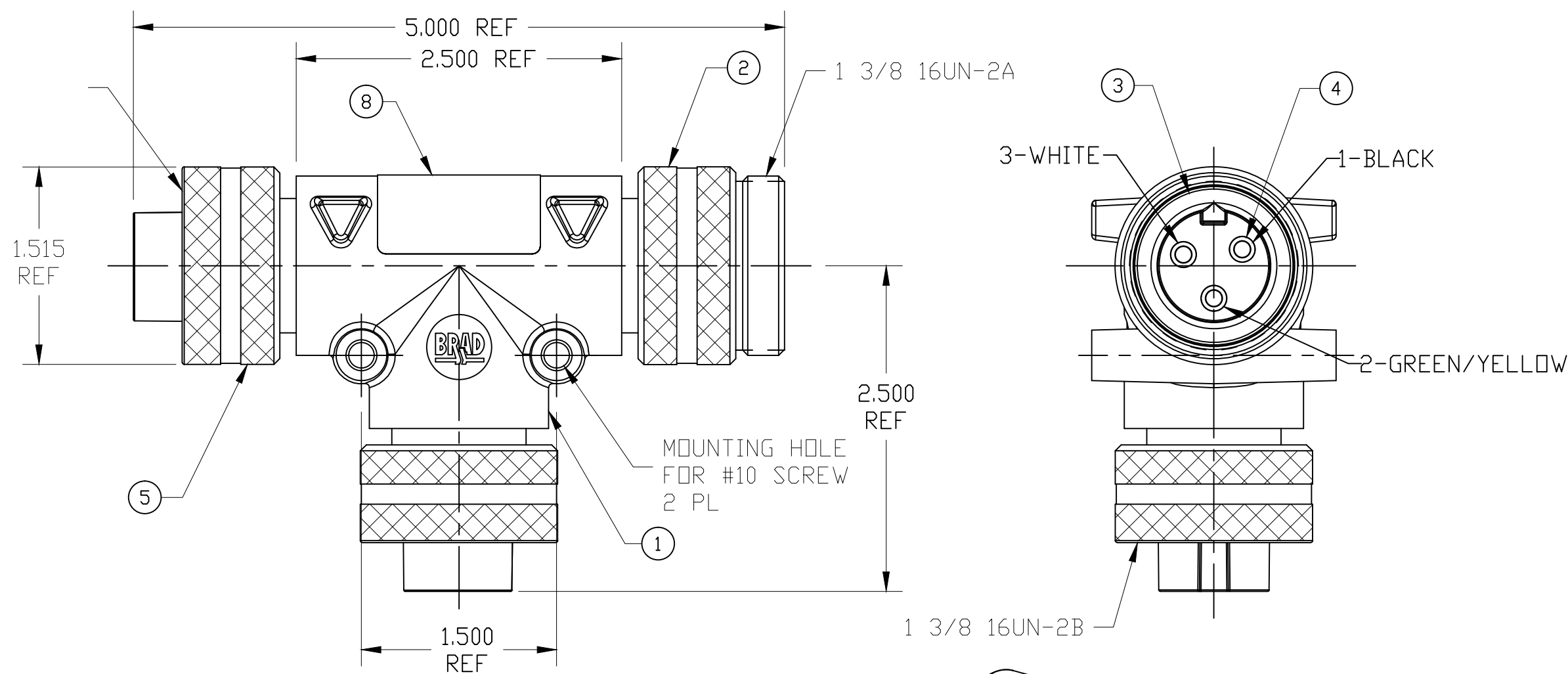
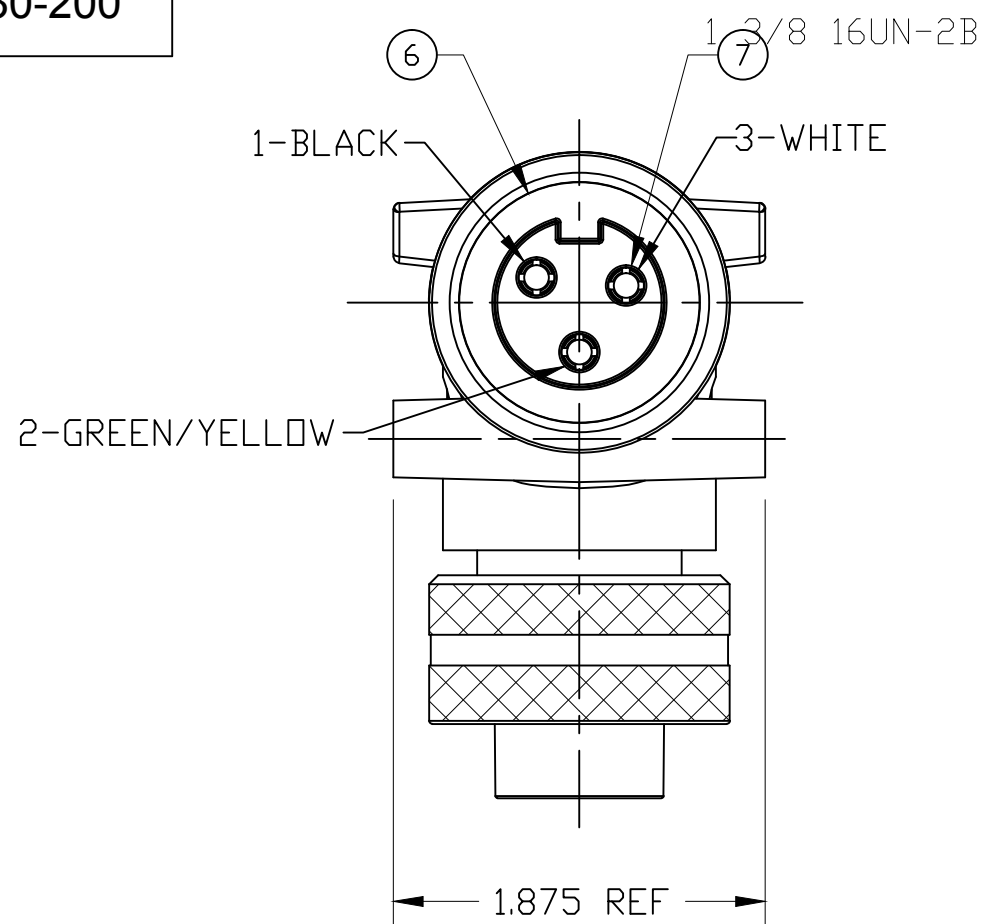


13	12	11	10	9	8	7	6	5	4	3	2	1
PART NUMBER		ENGINEERING NUMBER										
1300680045		TC30C30-200										



WIRE DIAGRAM

- NOTES:**
- MATERIAL: AS NOTED
  - FINISH: AS NOTED
  - ELECTRICAL:  
VOLTAGE: 500V PER IEC60664  
600V PER UL2237  
MAX THRU CURRENT: 32A  
MAX DROP CURRENT: 32A
  - TEMP RATING: -20° TO +90°C
  - PROTECTION: IP67 (WHEN MATED)
  - CERTIFICATION:  
UL LISTED/CSA CERTIFIED FILE NO: E258922

8	LABEL	POLYESTER	BLACK/DRANGE
7	QC SOCKET CONTACT	COPPER ALLOY	GOLD PLATED
6	QC FEMALE INSERT	PVC	BLACK
5	QC FEMALE COUPLING NUT	ALUMINUM	CLEAR ANODIZE
4	QC PIN CONTACT	COPPER ALLOY	GOLD PLATED
3	QC MALE INSERT	PVC	BLACK
2	QC MALE COUPLING NUT	ALUMINUM	CLEAR ANODIZE
1	OVERMOLD	PVC	GRAY
ITEM	DESCRIPTION	MATERIAL	FINISH

REV D NOTE 3 EC NO: IPG2017-0829 DRWN: RSTONE 3/2/17 CH'KD: K COX 2017/03/10 APPR: BWOODMAN 2010/01/15	QUALITY SYMBOL ▽=0 ▽=0	GENERAL TOLERANCES (UNLESS SPECIFIED)		DIMENSION STYLE		SCALE	DESIGN UNITS	THIRD ANGLE PROJECTION		
				INCH		1:1	INCH			
				DRAWN BY DATE		TITLE				
				CHECKED BY DATE		BRAD POWER QC 3 POLE TEE W/3 POLE QC DROP				
		APPROVED BY DATE		MOLEX INCORPORATED						
		MATERIAL NO.		DOCUMENT NO.						
		SEE TABLE		SD-130068-006						
		SIZE C		SHEET NO. 1 OF 1						
		THIS DRAWING CONTAINS INFORMATION THAT IS PROPRIETARY TO MOLEX INCORPORATED AND SHOULD NOT BE USED WITHOUT WRITTEN PERMISSION								