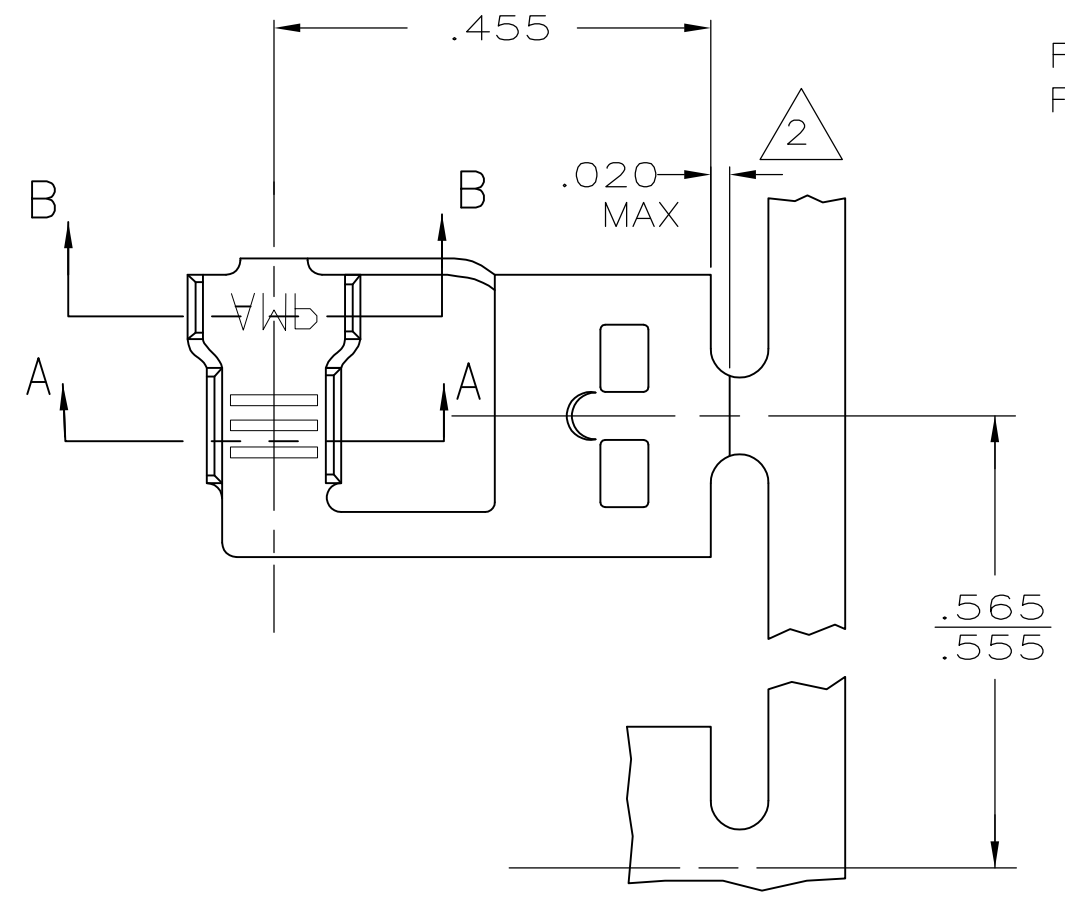
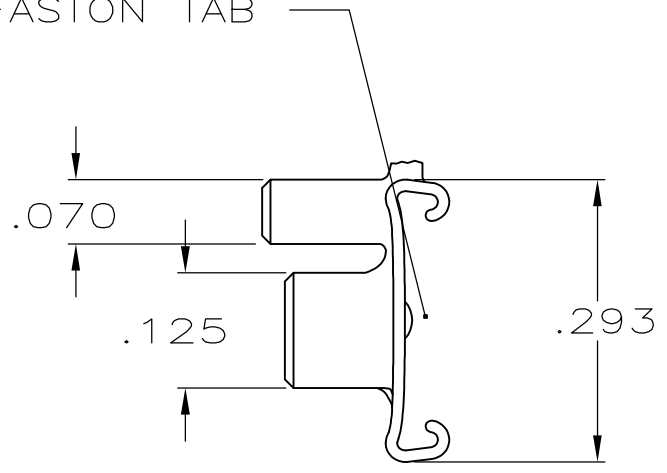


THIS DRAWING IS UNPUBLISHED. RELEASED FOR PUBLICATION
 © COPYRIGHT - By - ALL RIGHTS RESERVED.

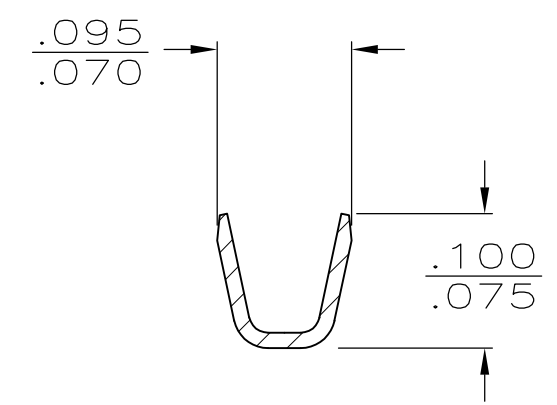
LOC	DIST	REVISIONS					
AF	50	P	LTR	DESCRIPTION	DATE	DWN	APVD
			H	REVISED PER ECR-12-013445	09NOV12	KH	PD



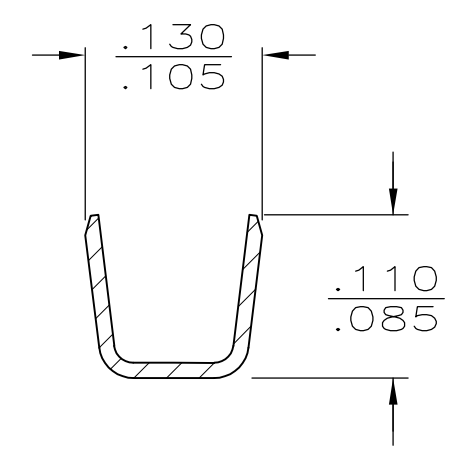
FITS .250 SERIES FASTON TAB



- 1 CONTINUOUS STRIP ON REELS.
- 2 FOR LOOSE PIECE ONLY



SECTION A-A



SECTION B-B

	60811-2	.048-.078	24-20	.032	TIN	BRASS	60736-2
OBSOLETE	60811-1	.048-.078	24-20	.032	---	.016 4M BRASS	60736-1
	LOOSE PIECE	INSUL RANGE	WIRE SIZE	TAB THK±.001	FINISH	MATERIAL	PART NO.

F	.090	.188	F	.062	.054	20
					.051	22
					.048	24
TYPE	WIDTH	STRIP LENGTH ±.015	TYPE	WIDTH	±.002 HEIGHT	WIRE
INSUL BARREL CRIMP			WIRE BARREL CRIMP			

THIS DRAWING IS A CONTROLLED DOCUMENT.

DWN	JR RUTH	10/4/85
CHK	MS FEHER	10/4/85
APVD	C MEYERS	10/4/85
PRODUCT SPEC	-	
APPLICATION SPEC	114-2079	
WEIGHT	-	

STE TE Connectivity

NAME: .250 SERIES FLAG FASTON RECEPTACLE

SIZE	CAGE CODE	DRAWING NO	RESTRICTED TO
A3	00779	C-60736	-

CUSTOMER DRAWING SCALE NTS SHEET 1 OF 1 REV H