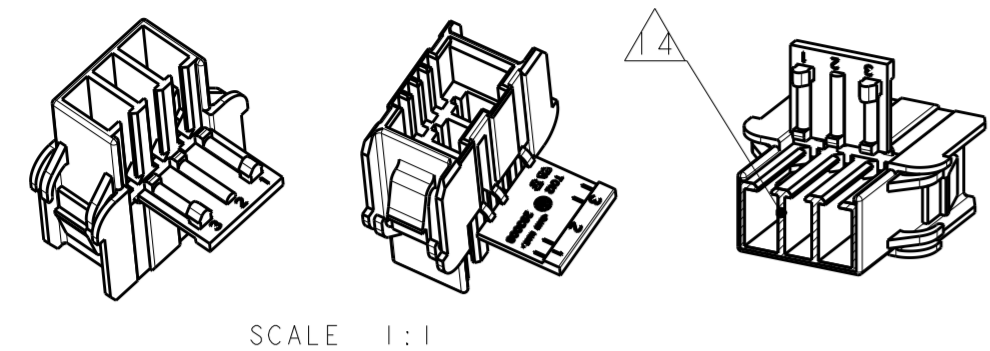
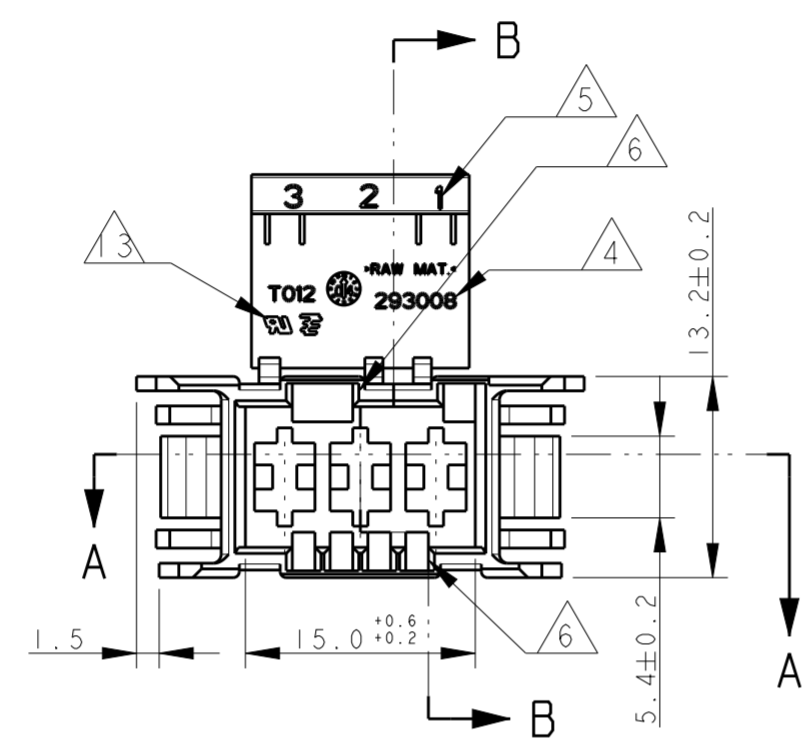


THIS DRAWING IS UNPUBLISHED. RELEASED FOR PUBLICATION 2003  
 © COPYRIGHT 2003 BY - ALL RIGHTS RESERVED.

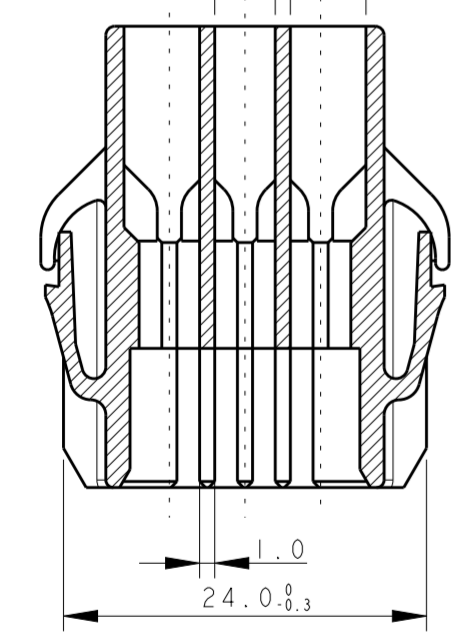


SCALE 1:1

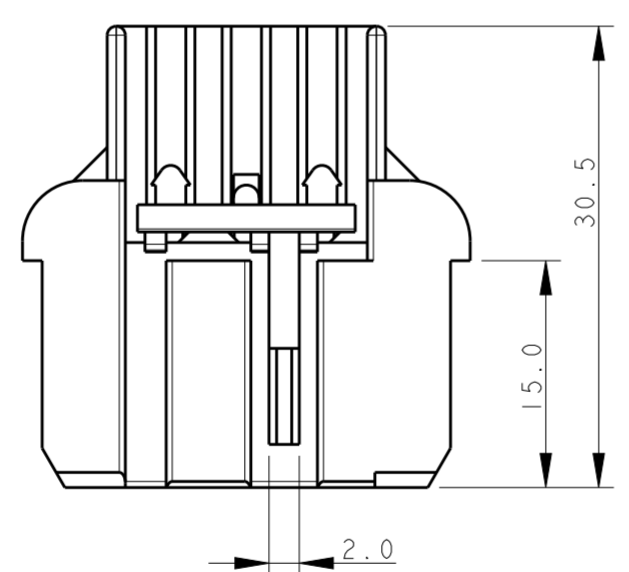


SECTION A-A

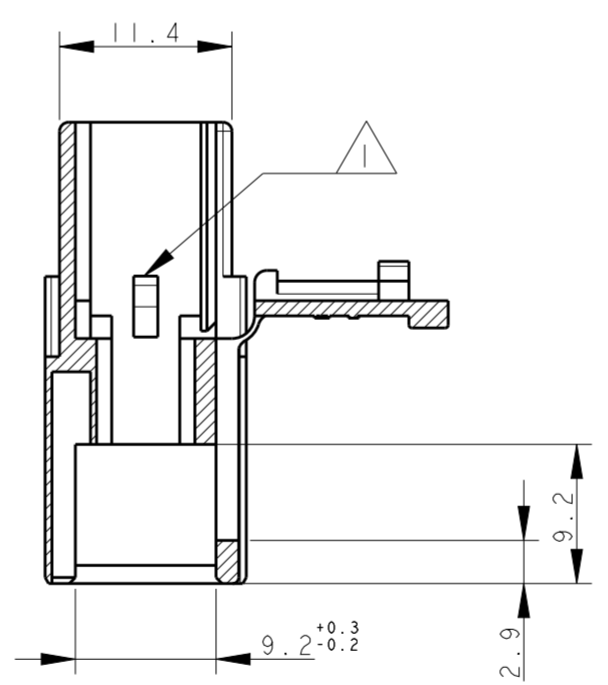
10.00 ±0.15  
 4.0 TYPICAL SYMMETRICAL CAVITY x3  
 5.00 ±0.15 PITCH  
 5.0



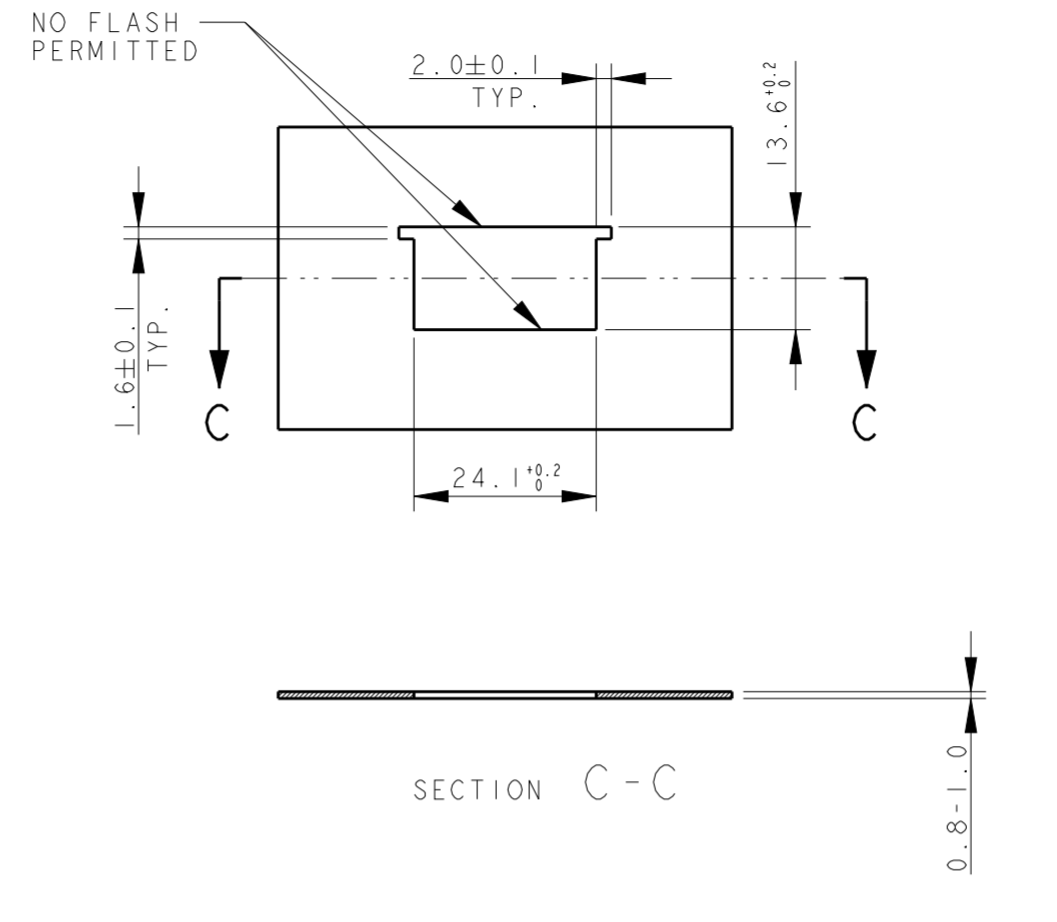
SUITABLE FOR 0.8-1.0 mm PANEL THK.



SECTION B-B



PANEL MOUNT DIMENSIONS SCALE 1:1



REVISIONS				
P	LTR	DESCRIPTION	DATE	APVD
	C	ECR-17-015100	25OCT2017	KD RR
	C1	ECR-17-015894	31OCT2017	KD RR
	C2	ECR-18-003302	06MAR2018	KD RR
	D	ECR-18-007762	26JUN2018	KD FL

- 1) TYPICAL CAVITY SUITABLE FOR:  
 FASTIN-FASTON TAB CONTACTS 6.3 mm SRS:  
 P/N: 60294, 0.3-0.8 mm<sup>2</sup> WIRE RANGE  
 160691, 0.3-0.8 mm<sup>2</sup> WIRE RANGE  
 AMPLIVAR CONTACTS:  
 P/N: 141051, 0.1-0.5 mm<sup>2</sup> WIRE RANGE  
 142411, 0.3-1.6 mm<sup>2</sup> WIRE RANGE  
 MAX. INSULATION DIA. 2.8 mm,  
 MAX. INSULATION CRIMP WIDTH 3.3 mm.
- 2) PA6 UNFILLED, UL 94-V2, NATURE COLOUR  
 ACCORDING TO IEC 60335-1 NORM. EDITION 4
- 3) PA66 UNFILLED, UL 94-V2, NATURAL COLOUR
- 4) TRADEMARK "LOGO" AND  
 TYCO ELECTRONICS "PART NUMBER"  
 OPTIONAL POSITION.
- 5) CIRCUIT IDENTIFICATION NUMBERS, 1 TO 3
- 6) POLARIZATION KEYS DIMENTIONS AND POSITIONS  
 ARE ACCORDING TO "RAST 5" NORM  
 RAST CODE 03-A & 03-1.
- 7) PA66 UNFILLED, UL 94-V0, NATURAL COLOUR
- 8) PA66 UNFILLED, UL 94-V0 GWT, NATURAL COLOUR
- 9) PRELIMINARY - NOT RELEASED FOR PRODUCTION
- 10) PA66 UNFILLED, UL94-V0 GWT, NATURAL COLOUR
- 11) -
- 12) PA66 UNFILLED, UL94-V0 GWT, BLUE COLOR
- 13) ONLY FOR 293008-3, ADD UL LOGO
- 14) ADD GREEN COLOR MARKING

COLOUR	MATERIAL	TE P/N
BLUE	SEE NOTE 12	3-293008-1
NATURAL	SEE NOTE 10	2-293008-2
NATURAL	SEE NOTE 10	2-293008-1
NATURAL	SEE NOTE 2	1-293008-2
NATURAL	SEE NOTE 2	1-293008-1
NATURAL	SEE NOTE 10	293008-6
NATURAL	SEE NOTE 8	293008-5
NATURAL	SEE NOTE 7	293008-3
NATURAL	SEE NOTE 3	293008-2
NATURAL	SEE NOTE 2	293008-1

THIS DRAWING IS A CONTROLLED DOCUMENT. DWN 27 FEB 2004  
 H. YAALI  
 CHK C. TARTARI  
 APVD -

DIMENSIONS: mm  
 TOLERANCES UNLESS OTHERWISE SPECIFIED:  
 0 PLC ±  
 1 PLC ±0.3  
 2 PLC ±  
 3 PLC ±  
 4 PLC ±  
 ANGLES ±1°  
 FINISH SEE TABLE

MATERIAL SEE TABLE  
 FINISH SEE TABLE

PRODUCT SPEC 108-20256  
 APPLICATION SPEC -  
 WEIGHT -

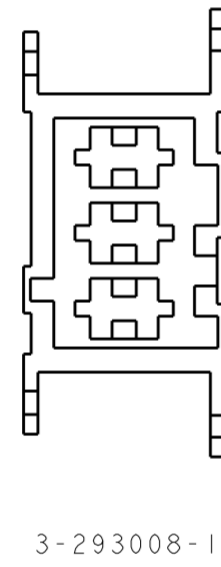
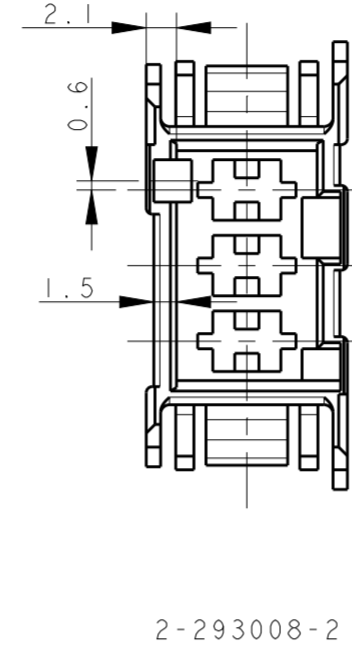
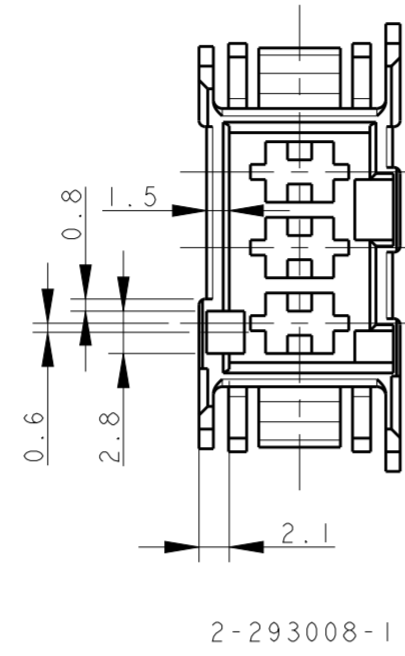
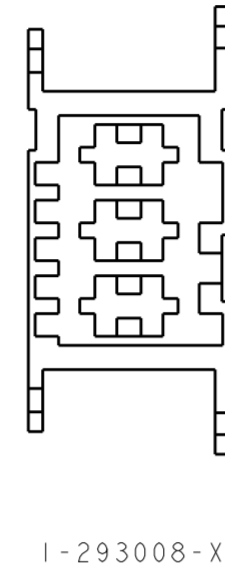
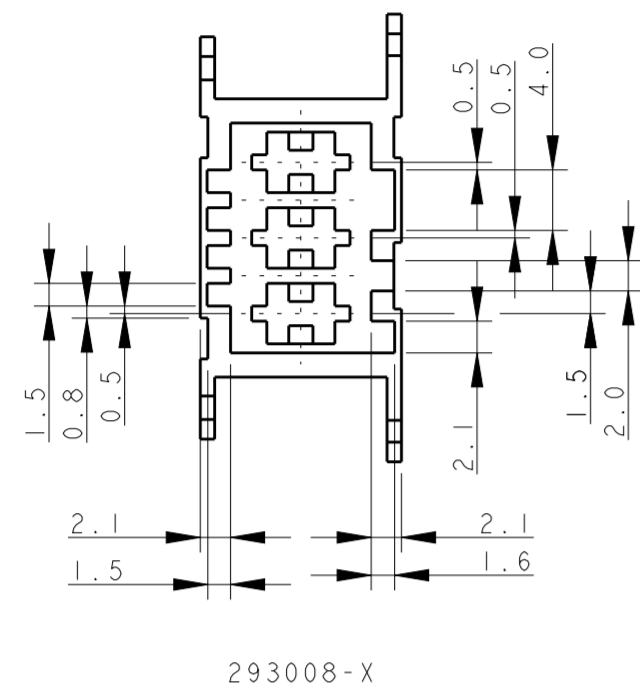
CUSTOMER DRAWING SCALE 5:1 SHEET 1 OF 2 REV D

STE TE Connectivity  
 NAME 3 POS. FASTIN-FASTON Connector  
 TAB HOUSING, RAST 5  
 0.8-1.0 MM THK. PANEL MOUNT  
 SIZE A2 CAGE CODE - DRAWING NO. C-293008  
 RESTRICTED TO -

THIS DRAWING IS UNPUBLISHED. RELEASED FOR PUBLICATION 2003  
 © COPYRIGHT 2003 BY - ALL RIGHTS RESERVED.

REVISIONS				
P	LTR	DESCRIPTION	DATE	APVD
-	-	SEE SHEET 1	-	-

POLARIZATION SCHEME



THIS DRAWING IS A CONTROLLED DOCUMENT.		DWN H. YAALI	27 FEB 2004	<b>STE</b> TE Connectivity	
DIMENSIONS: mm		CHK C. TARTARI	APVD -		
TOLERANCES UNLESS OTHERWISE SPECIFIED: 0 PLC ± 1 PLC ±0.3 2 PLC ± 3 PLC ± 4 PLC ± ANGLES ±1°		PRODUCT SPEC 108-20256		SIZE A2	CAGE CODE -
MATERIAL SEE TABLE		APPLICATION SPEC -		DRAWING NO. C-293008	RESTRICTED TO -
FINISH -		WEIGHT -		SCALE 2:1	SHEET 2 OF 2
-		CUSTOMER DRAWING		REV D	