

THIS DRAWING IS UNPUBLISHED.

RELEASED FOR PUBLICATION

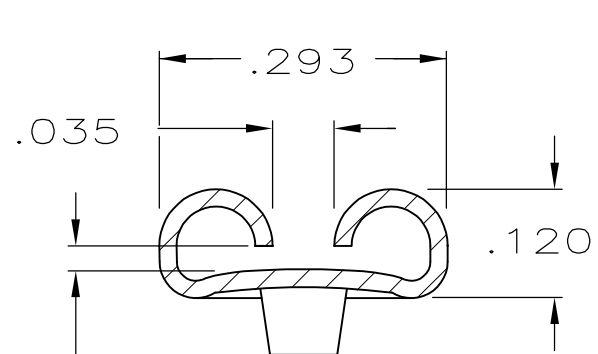
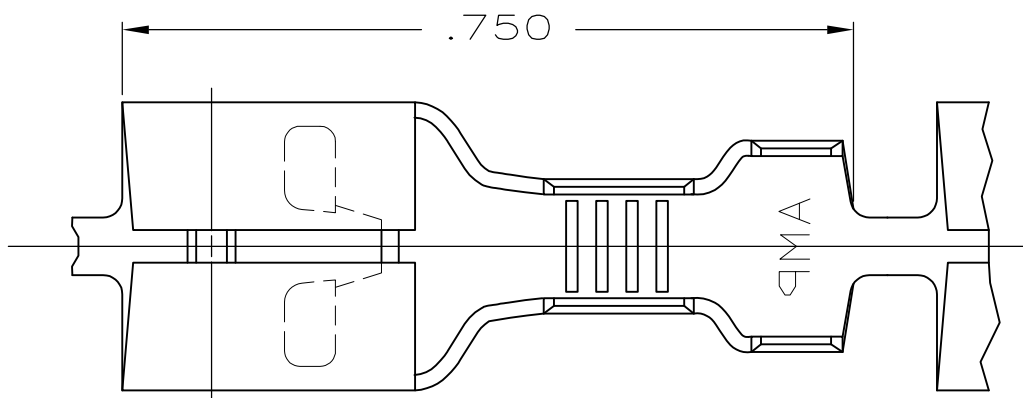
ALL RIGHTS RESERVED.

© COPYRIGHT - By -

LOC AF DIST 50

REVISIONS

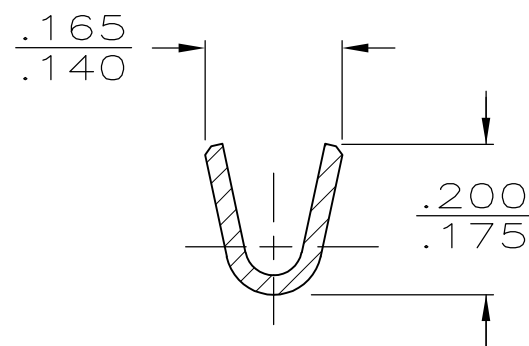
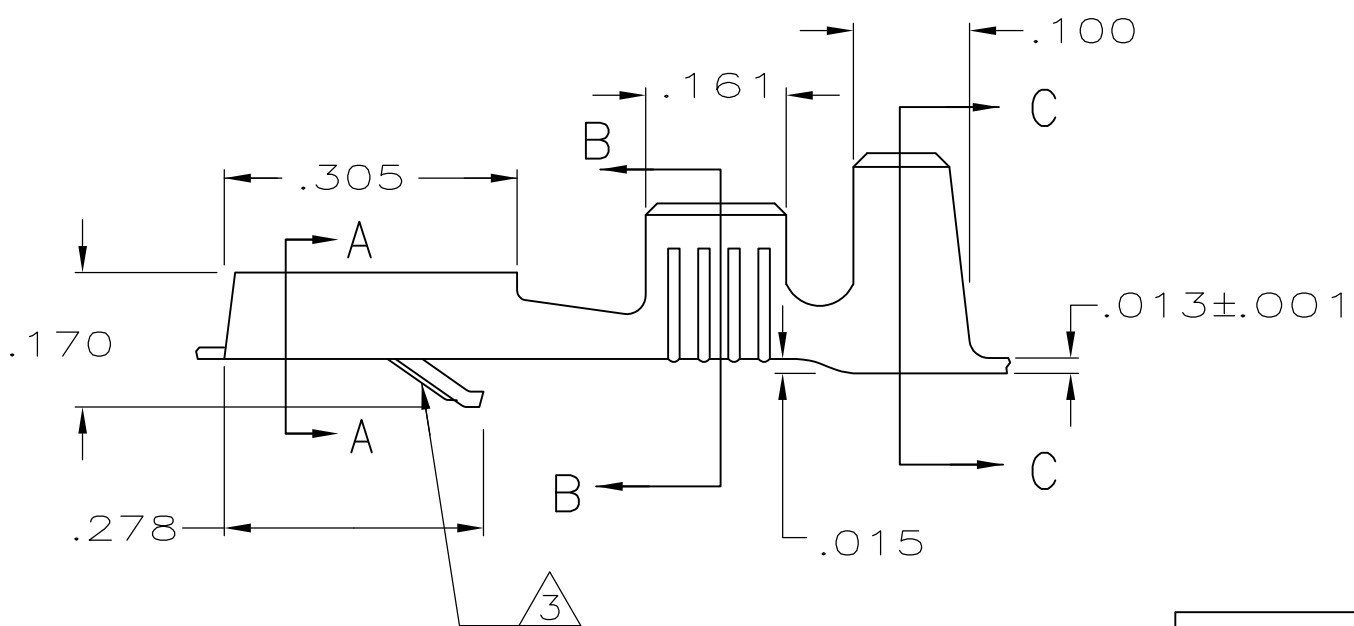
P	LTR	DESCRIPTION	DATE	DWN	APVD
	L	REVISED PER ECR-13-005733	23AUG2013	KH	PD



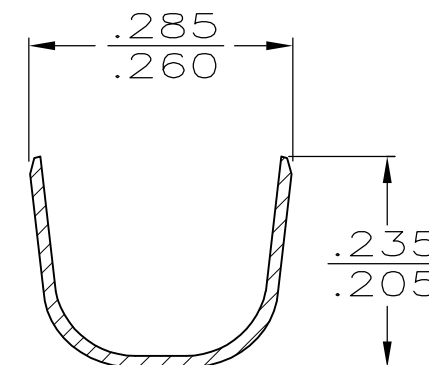
FITS '.250' SERIES FASTIN-FASTON TAB

SECTION A-A

- △ 1 FOREIGN PRODUCTION ONLY
- 2 CONTINUOUS STRIP ON REELS
- △ 3 RIB ON 1-60253-2 ONLY.



SECTION B-B



SECTION C-C

OBSOLETE	OBSOLETE	16-12	.032	.160-.210 OR (2) -.130 MAX	TIN PL .000080 MIN	△ 1 1-60253-2 △ 3
					SILVER .000150 MIN	60253-3
					TIN	60253-2
					NONE	60253-1 △ 1
					FINISH	PART NO

THIS DRAWING IS A CONTROLLED DOCUMENT.		DWN DK SCHRUM 4/10/89	<b>STE</b> TE Connectivity			
DIMENSIONS: INCHES		CHK JR RUTH 4/17/89				
TOLERANCES UNLESS OTHERWISE SPECIFIED:		APVD J GILLESPIE 5/19/89	NAME			
0 PLC ± -		PRODUCT SPEC	RECEPTACLE, FASTIN-FASTON, .250 SERIES			
1 PLC ± -		APPLICATION SPEC	SIZE	CAGE CODE	DRAWING NO	RESTRICTED TO
2 PLC ± -			A3	00779	C-60253	-
3 PLC ± .015			CUSTOMER DRAWING			SCALE 5:1
4 PLC ± -						SHEET 1 OF 1
ANGLES ± -						REV L
MATERIAL BRASS	FINISH SEE TABLE	WEIGHT -				