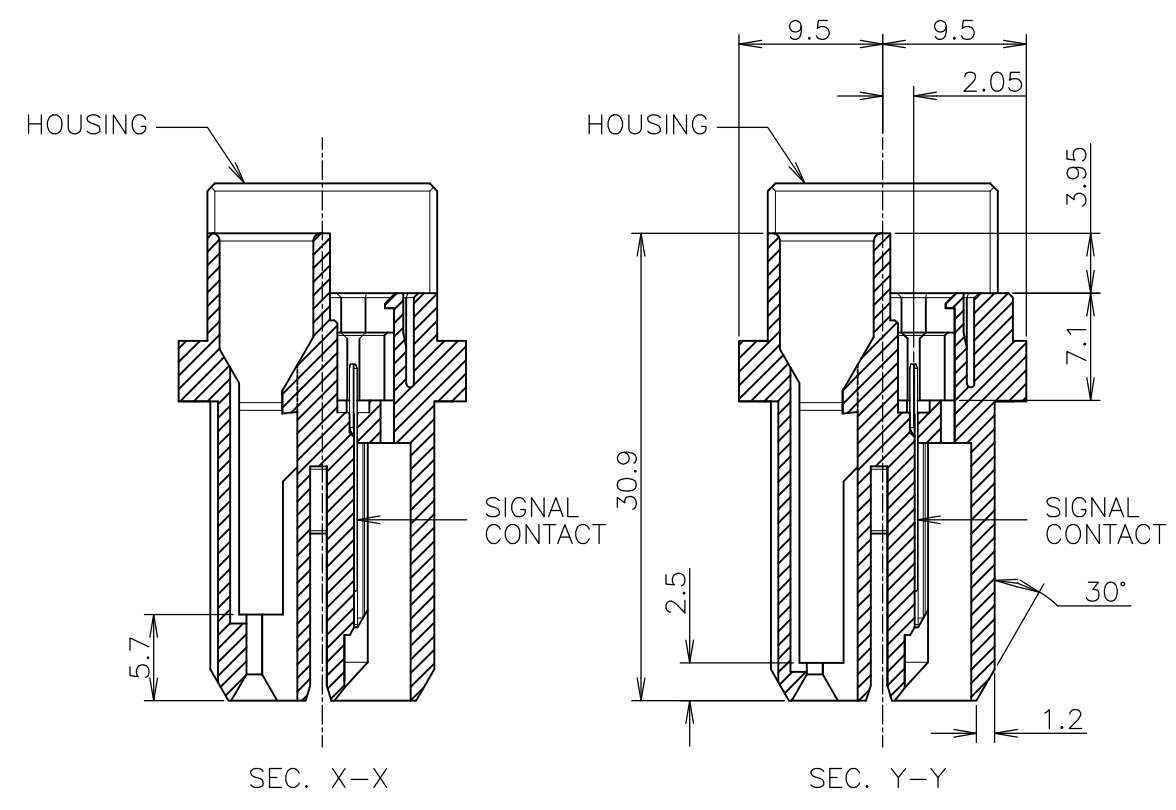
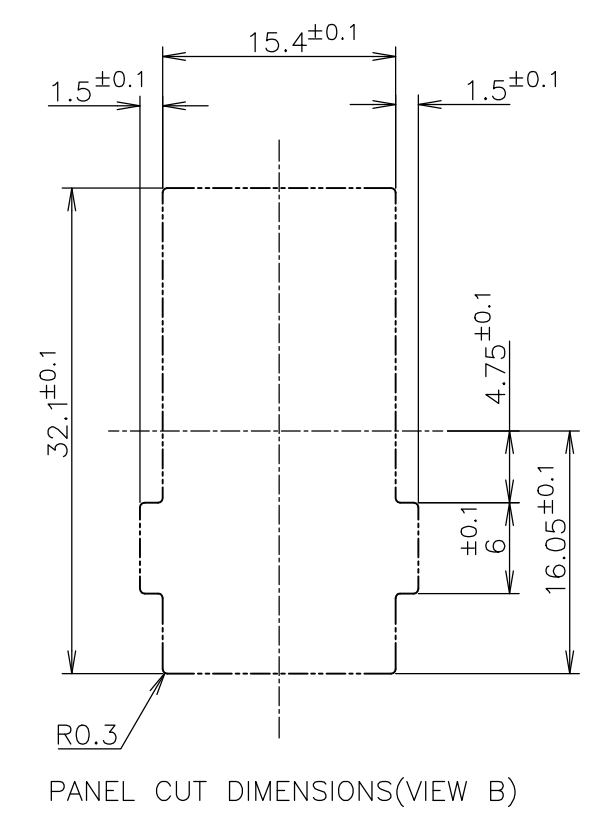
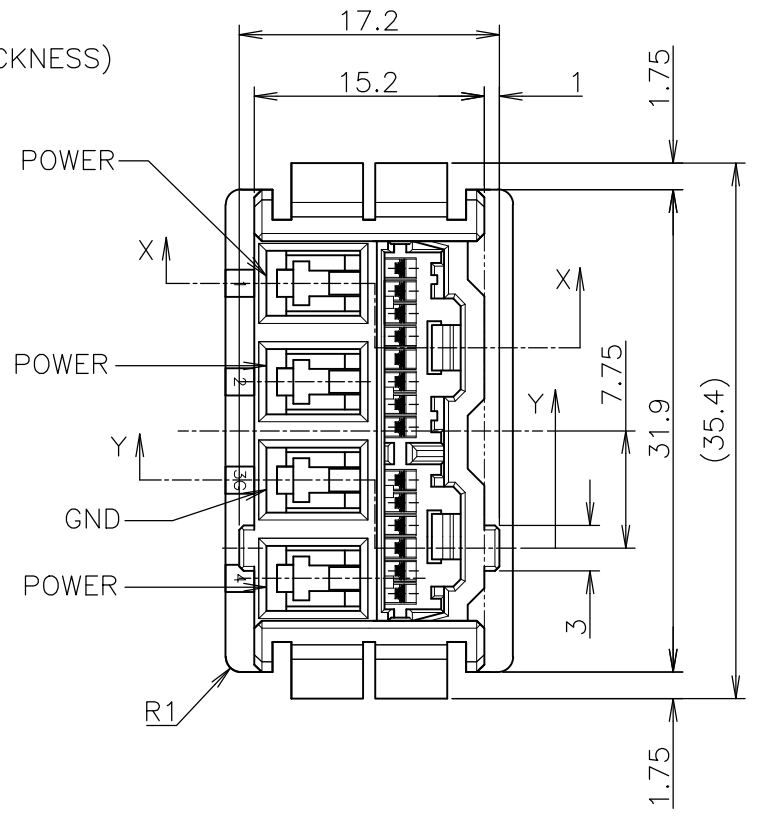
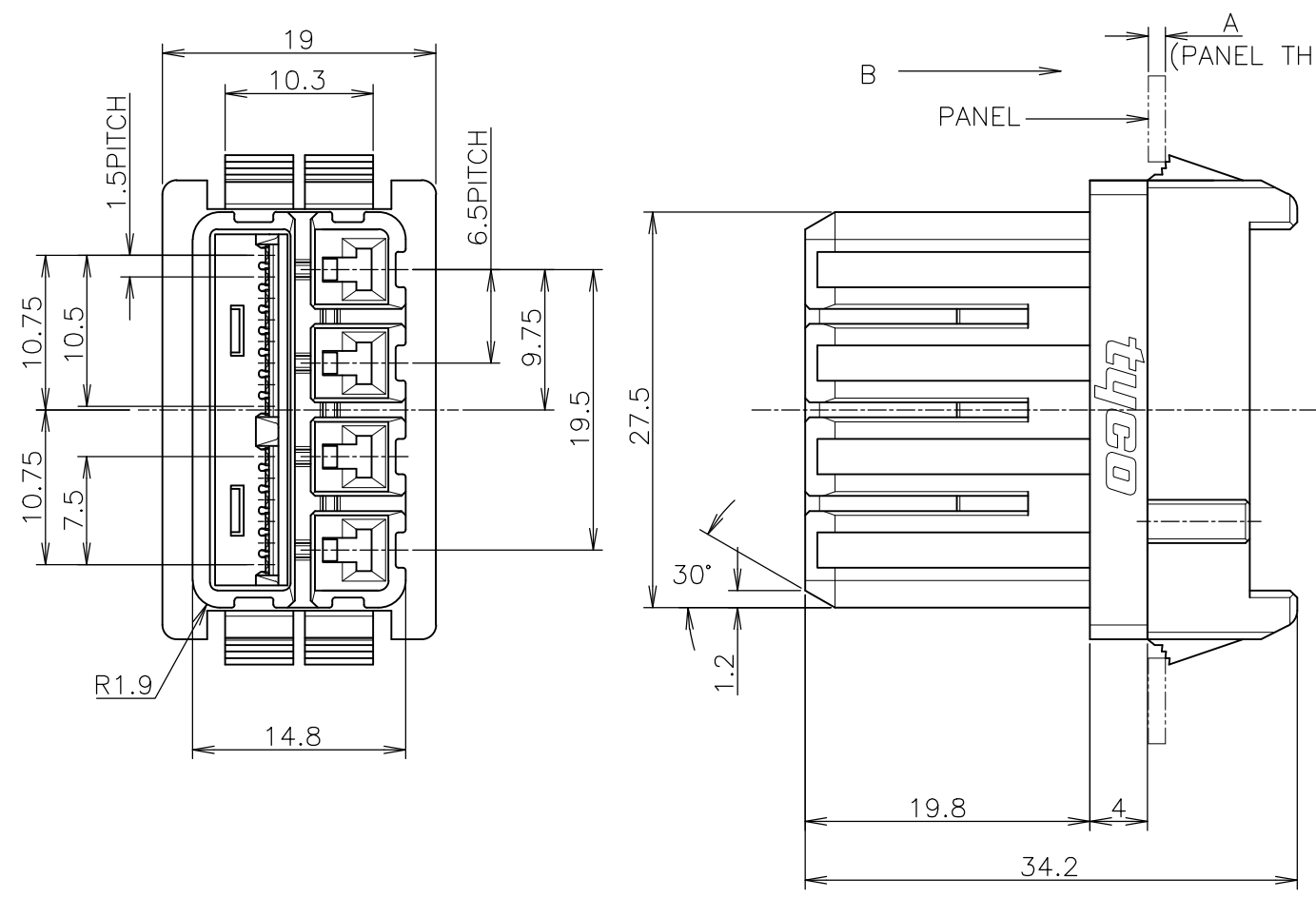


THIS DRAWING IS UNPUBLISHED. RELEASED FOR PUBLICATION
 © COPYRIGHT - TE Connectivity Ltd. ALL RIGHTS RESERVED.

P		LTR	REVISIONS	DATE	DWN	APVD
			変更			
			DESCRIPTION			
		A1	REVISED	17APR2010	J.J	W.H



NOTE
 1 GENERAL TOLERANCE : ± 0.3, ± 3°
 2 MATERIAL
 SIGNAL CONTACT : BRASS
 HOUSING : PBT G.F, UL94V-0, COLOR:BLACK

1981536-1:AS SHOWN

0.8/1.0/1.2
 DIMENSION "A"
 (PANEL THICKNESS)

THIS DRAWING IS A CONTROLLED DOCUMENT.		DWN M.KATO 17APR2008	STE TE Connectivity Ltd.	
DIMENSIONS: 单位: 耗 mm		CHK T.YAMADA 17APR2008		
TOLERANCES UNLESS OTHERWISE SPECIFIED. 一般公差		APVD T.YAMADA 17APR2008	NAME 名称	
0 PLC ±		PRODUCT SPEC 製品規格		REC. ASS'Y FOR 1.5mm PITCH MINI CT SNAP-FIT HYBRID DRAWER CONNECTOR 4-14Pos.
1 PLC ±		APPLICATION SPEC 取付適用規格		
2 PLC ±		WEIGHT		SIZE A3
3 PLC ±		FINISH 仕上		CAGE CODE 00779
4 PLC ±		MATERIAL 材料		DRAWING NO. 1981536
ANGLES ±		CUSTOMER DRAWING		RESTRICTED TO
FINISH 仕上		SCALE 尺度 2:1		SHEET 1 OF 2
FINISH 仕上		REVISIONS		REV A1

THIS DRAWING IS UNPUBLISHED.

RELEASED FOR PUBLICATION

ALL RIGHTS RESERVED.

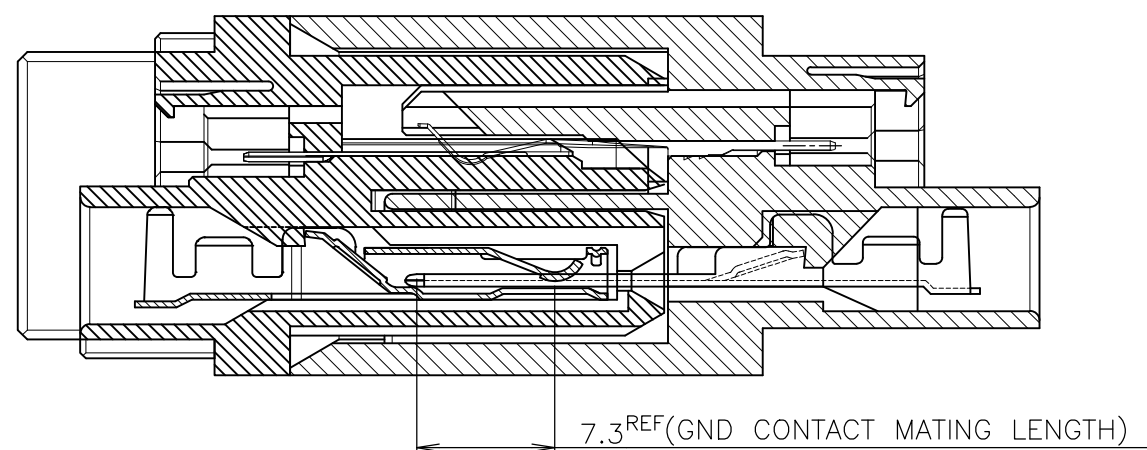
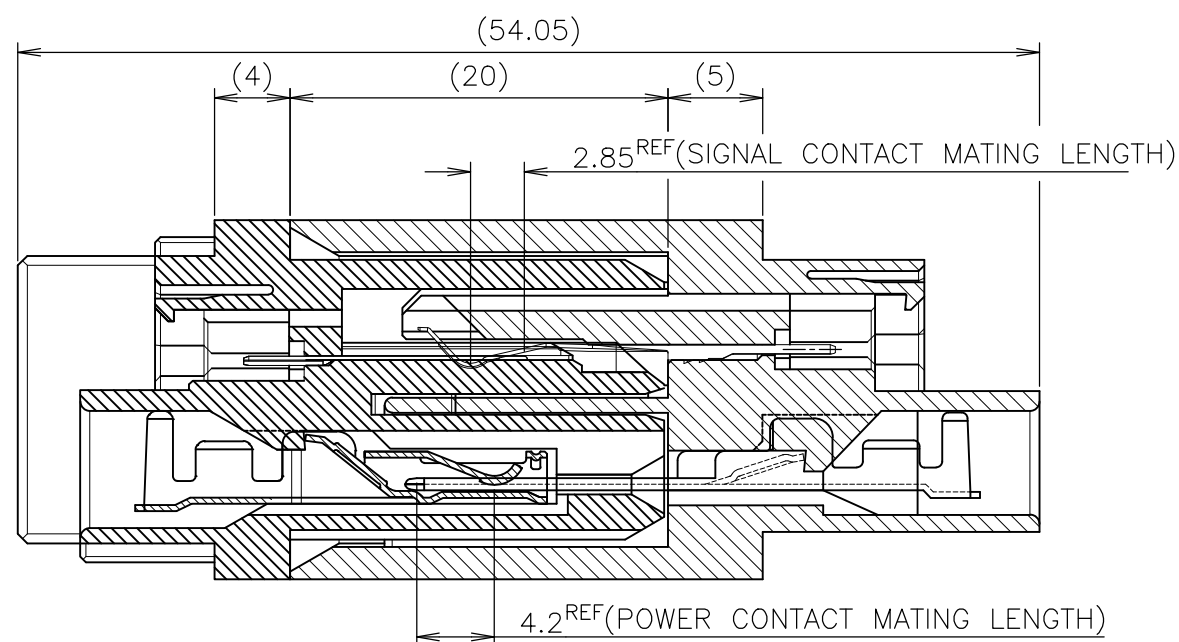
© COPYRIGHT - TE Connectivity Ltd.

REVISIONS

変更

P	LTR	DESCRIPTION	DATE	DWN	APVD
-	-	SEE SHEET 1	-	-	-

DIMENSIONS ARE REFERENCE ONLY.



THIS DRAWING IS A CONTROLLED DOCUMENT.		DWN	STE TE Connectivity Ltd.		
DIMENSIONS: 单位: 耗 mm		CHK			
TOLERANCES UNLESS OTHERWISE SPECIFIED: 一般公差		APVD	NAME 名称 REC. ASS'Y FOR 1.5mm PITCH MINI CT SNAP-FIT HYBRID DRAWER CONNECTOR		
0 PLC ±		PRODUCT SPEC 製品規格	SIZE		
1 PLC ±		APPLICATION SPEC 取付適用規格	CAGE CODE	DRAWING NO 番号	RESTRICTED TO
2 PLC ±		WEIGHT	A3	00779	G-1981536
3 PLC ±		CUSTOMER DRAWING	SCALE 尺度	SHEET 2 OF 2	REV A1
4 PLC ±			NTS		
ANGLES ±					
MATERIAL 材料					
FINISH 仕上					