

Smart Box (part no. 73-00001.1)

Technical specifications

Description

Housing with two Series 84 white illuminated pushbuttons, directly wired to a 5 pin M12 plug. The housing and switches are sealed to IP67
Pushbutton lenses to be ordered separately



Shipped

- Without lenses
- with mounting adapter
- with marking plate

Equipment

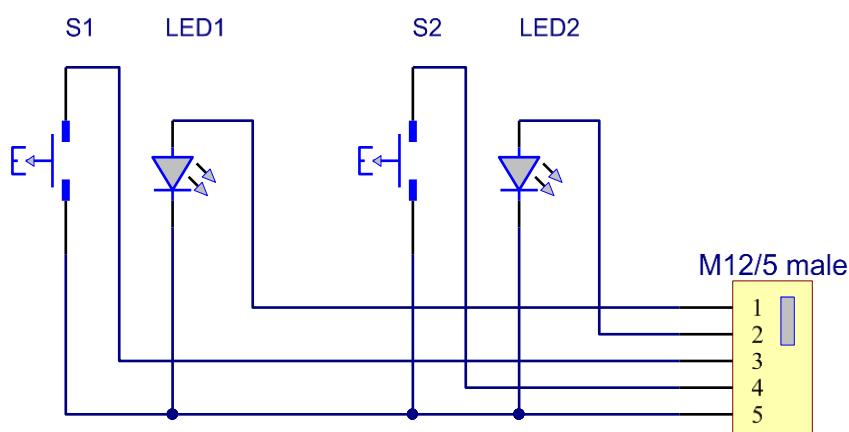
Connection: M12 5-pin plug, male, A-coding

Control element position [S1]: S84 button without lens / white LED
 Base product: Part no. 84-1101.0

Control element position [S2]: S84 button without lens / white LED
 Base product: Part no. 84-1101.0

Connector pin assignment

- Pin 1: LED1
Positive terminal
- Pin 2: LED2
Positive terminal
- Pin 3: S1 button terminal
- Pin 4: S2 button terminal
- Pin 5: Shared terminal
Button S1 / S2 / LED1 / LED2



Electrical characteristics

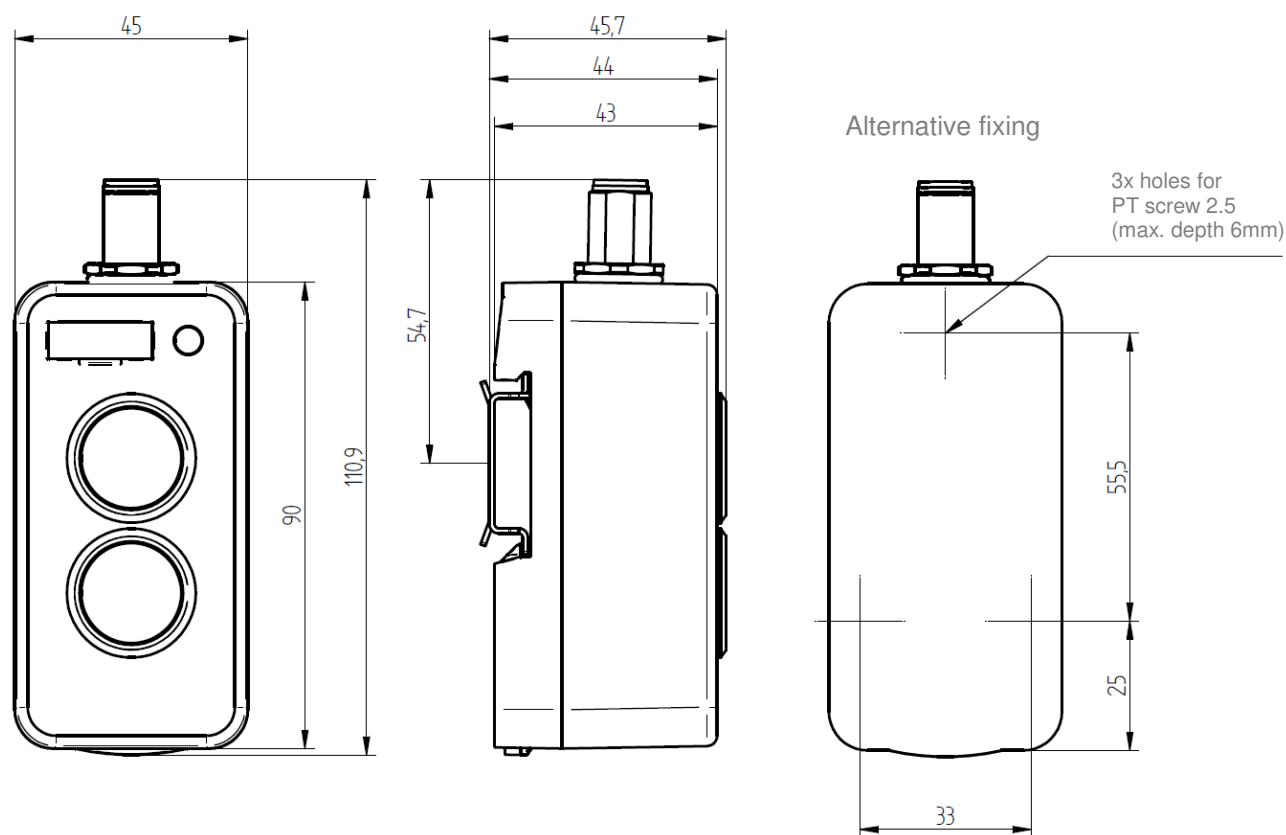
Switch operating voltage: Maximum 30VDC
 Switching rate: 10µA ... 100mA / Maximum 2W
 LED operating voltage: 24VDC
 White LED operating current: 10mA ±10% at 24VDC

Please refer to EAO Series 84 for more technical data on the mounted switches / LEDs.

Mechanical characteristics

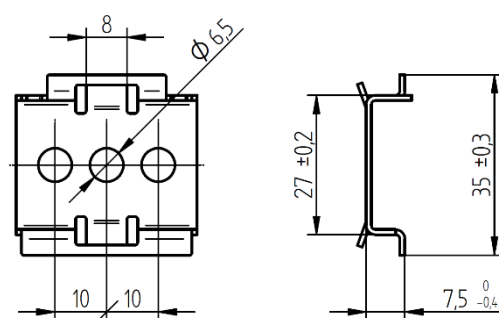
Dimensions:

See dimensional diagrams
(Female M12 connector not included)



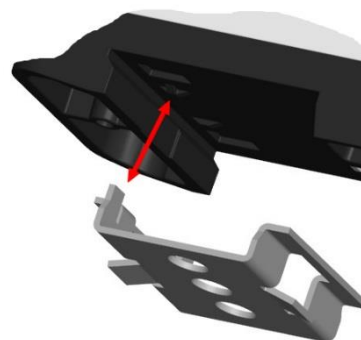
Mounting

- Mount mounting adapter onto mounting surface
- Mount Smart Box on one side (note direction of mounting adapter on the housing)
- Push the housing down onto the adaptor on the other side until the Smart Box audibly clicks into place
- Alternatively, the module can be mounted on a standard top hat rail, or it can be mounted on a base using screws on the rear (see dimensional diagrams).



Dismantling

- Pull out spring element using screwdriver and lift Smart Box
- Remove Smart Box from the other side



Operating temperatures

Temperature range:	Rated temperature:	25°C
	Operating temperature:	-25 ... 60°C
	Storage temperature:	-40 ... 85°C

Materials

Upper part of housing:	PBT / UL-V0 / colour similar to RAL9010
Lower part of housing:	PBT / UL-V0 / colour similar to RAL9011
Spring element (for restraint):	POM (nature)
Seal:	MVQ silicone foam bright
Blind plug:	PC / glass clear
Mounting adaptor:	Stainless steel 1.4301 / surface vibratory finish
Housing screws:	Stainless steel A2
Marking plate:	Black PVC / surface aluminium-coloured, adhesive
M12 connector housing:	Die cast zinc

Standards

Degree of protection:	IP67 (with mounted female connector / lenses)
Insulation:	EN 60664-1:2008 / degree of contamination I / insulation material IIIa/b
EMC:	Defined based on components of EAO Series 84
Vibrations:	EN 60068-2-6:2008-10 / 10 – 150Hz / 2g
Shock:	EN 60068-2-27:2010-02 / 15g / 11ms
Conformity	CE

EAO reference number: **Part no. 73-00001.1**

EAO reserves the right to change specifications without further notice.