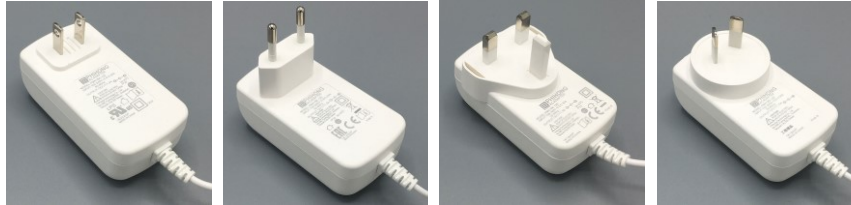




18W Medical Grade Adapter Series



Features

- Meets DoE Level VI
- 2xMOPP Isolation
- Suitable for BF applications with system consideration
- OVP, OCP, SCP, OTP, brown-in and brown out protections
- LPS compliant

Applications

- CPAP & BIPAP machines
- Medical imaging
- Nebulizers
- Blood pressure monitor

Safety Approvals and Certifications

- AANSI/AAMI ES60601-1
- CAN/CSA-C22.2 No. 60601-1
- IEC60601-1: 2005 + A1:2012 (Edition 3.1)
- IEC60601-1-2:2014 (4th Edition)
- IEC60601-1-6:2010 + A1:2013
- IEC60601-1-11:2015
- IEC 62366: 2007 (First Edition) + A1: 2014

Mechanical Characteristics

- Length: 82mm (3.23in)
- Width: 43.2mm (1.7in)
- Height: 30mm (1.18in)

Output Specifications

Model	DC Output Voltage	Load		Ripple ¹ P-P (max.)	Regulation Line & Load	Prong Style
		Min.	Max.			
PMA18A-120PHW-R	12V	0A	1.5A	150mV	±5%	US
PMA18E-120PHW-R ²	12V	0A	1.5A	150mV	±5%	EU
PMA18K-120PHW-R ²	12V	0A	1.5A	150mV	±5%	UK
PMA18S-120PHW-R ²	12V	0A	1.5A	150mV	±5%	AU
PMA18A-240-R ²	24V	0A	0.75A	240mV	±5%	US
PMA18E-240-R ²	24V	0A	0.75A	240mV	±5%	EU
PMA18K-240-R ²	24V	0A	0.75A	240mV	±5%	UK

Notes:

1. Performed by applying a 0.1µF ceramic capacitor and a 10µF low-ESR Electrolytic capacitor across the test point and oscilloscope setting at 20MHz.
2. Special order MOQ

Input:

AC Input Voltage Rating
100 - 240VAC

AC Input Voltage Range
85 ~ 264VAC

AC Input Frequency
12V models: 50Hz - 60Hz
24V models: 47Hz ~ 63Hz

Input Current (Typical)
0.6A at 100VAC
0.25A at 240VAC

Leakage Current
<100uA at 264VAC/50Hz

Inrush Current
80A max at 240VAC
(cold start @ambient 25°C)

No Load Input Power
≤100mW max 115VAC/230VAC

Output:
Efficiency²
DOE Level VI

Environmental:
Temperature
Operation 10°C to +40°C
Non-operation -20°C to +80°C
Relative Humidity 95% RH Max

Emissions

Complies with FCC Class B
Complies with CISPR 11 Class B

Immunity

ESD: EN 61000-4-2
RS : EN61000-4-3
EFT/Burst : EN61000-4-4
Surge: EN 61000-4-5
CS : EN61000-4-6
Power Frequency Magnetic Field : EN61000-4-8
Voltage Dips : EN61000-4-11

Over-Voltage Protection

12V models: 16V max
24V models: 34V max

Short-Circuit Protection

The output can be shorted without damage.
Auto recovery mode.

Over-Current Protection

12V models: 2.2A(min)
24V models: 0.9A~1.2A max

Over-Temperature Protection

Auto recovery

Dielectric Withstand (Hi-pot) Test

12V models: Pri. to Sec.>4000VAC, 10mA,
1min
24V models: Pri. to Sec. 4400VAC, 10mA,
1min

DC Output Connector

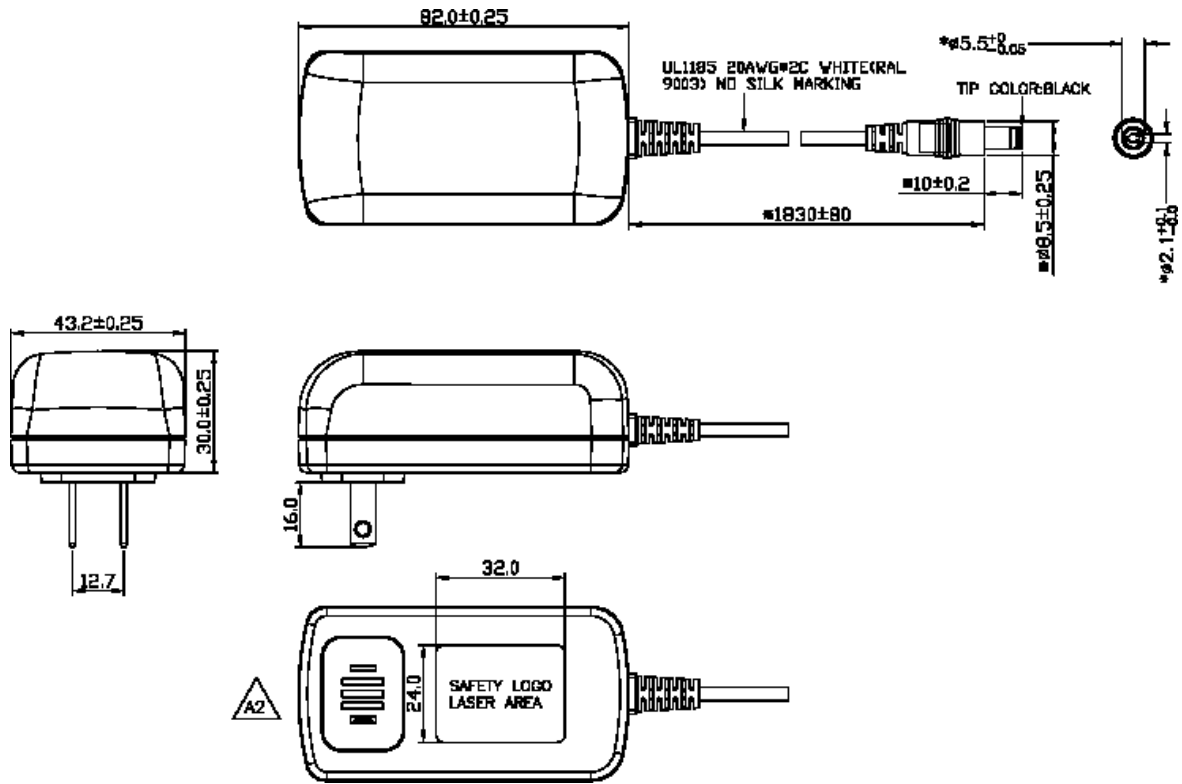
DC plug type 5.5 x 2.1 x 10mm (fork &
groove); DC plug pin assignment: Inner (+V),
Outer GND(-)

Notes:

1. The characteristics defined are at ambient temperature of 25°C unless otherwise specified
2. Efficiency is measured after 30 minutes burn-in

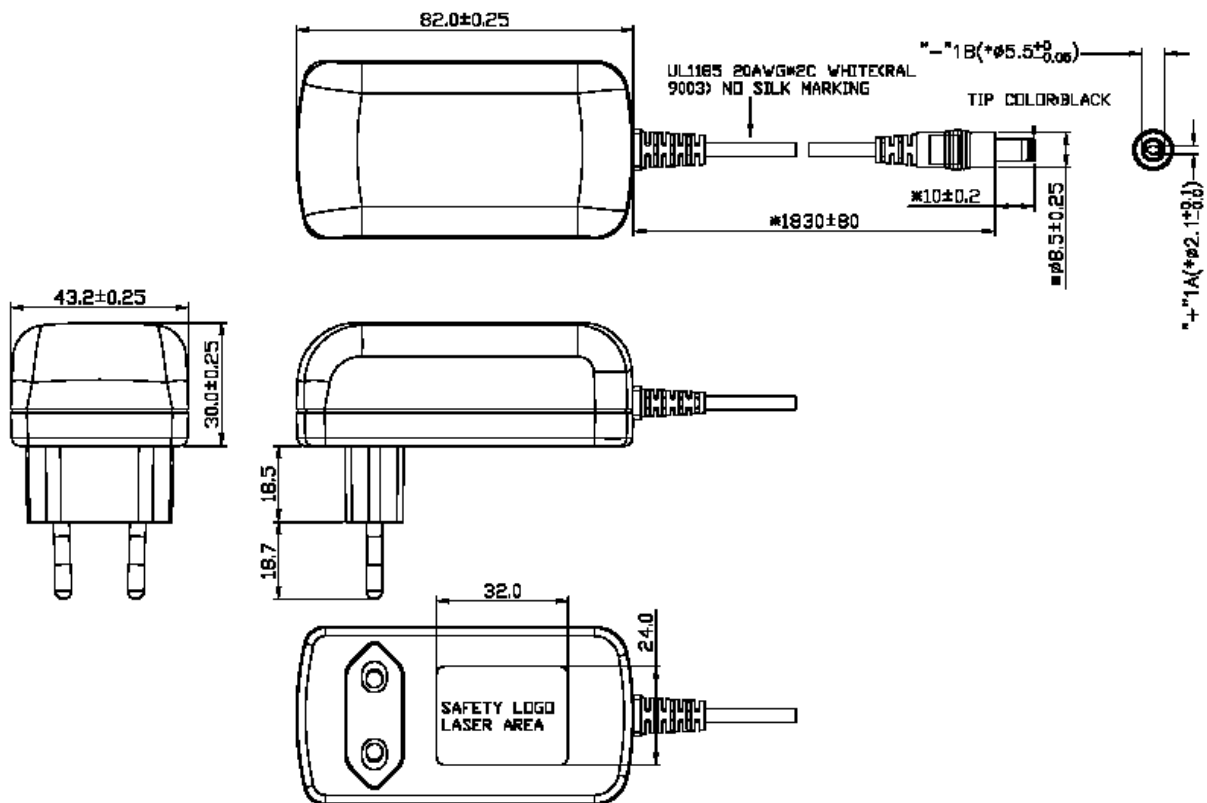
Dimension Diagram Unit: mm

US Models



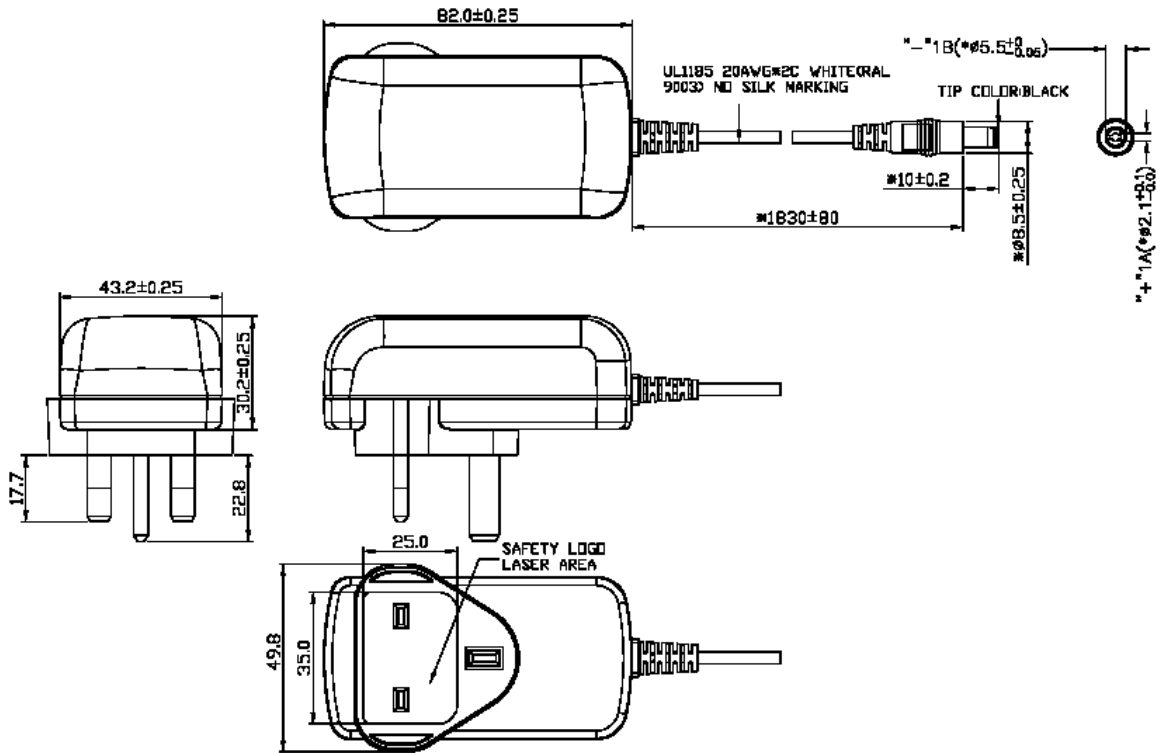
Dimension Diagram Unit: mm

EU Models



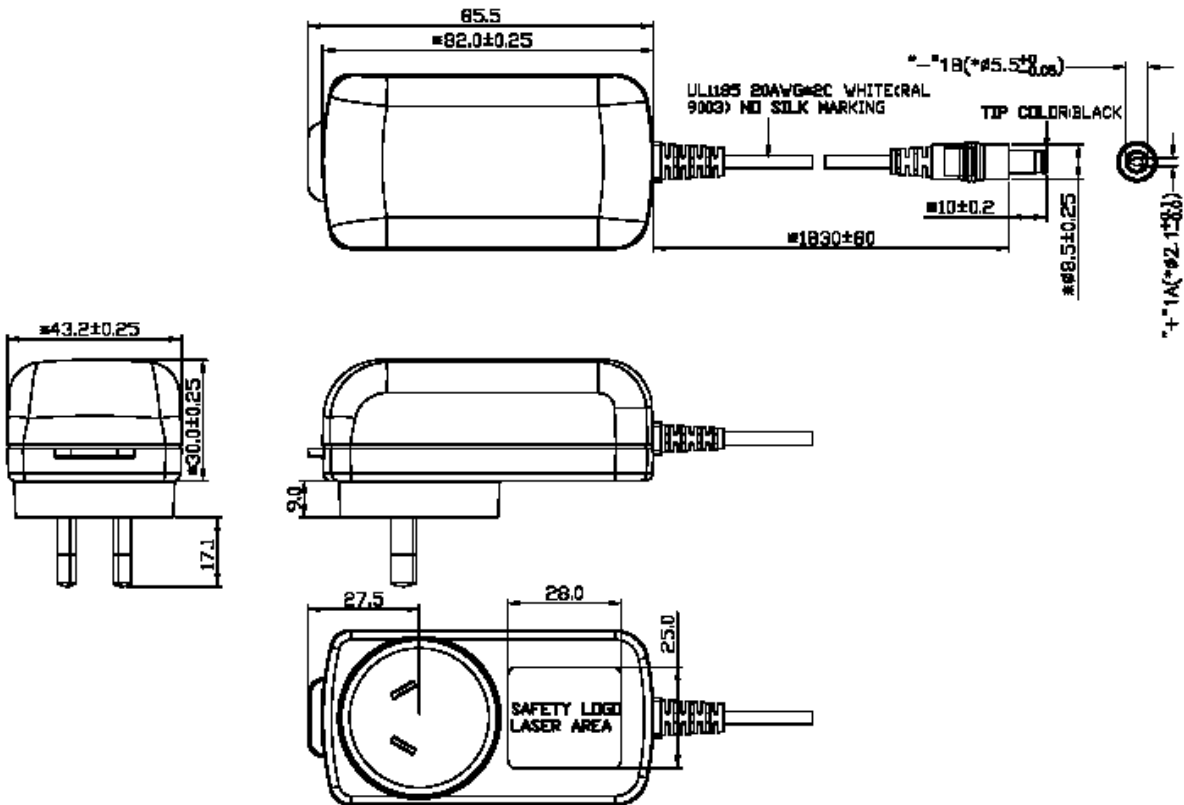
Dimension Diagram Unit: mm

UK Models



Dimension Diagram Unit: mm

AU Model



**Supplier's Declaration of Conformity
47 CFR § 2.1077 Compliance Information**

PMA18A-120PHW-R

Phihong USA Corporation
47800 Fremont Boulevard
Fremont, CA 94538
Telephone: (510) 445-0100
www.phihong.com

NOTE: This model has/The models in this product series have been tested and found to comply with the limits for a Class B digital device, pursuant to part 15 of the FCC Rules. These limits are designed to provide reasonable protection against harmful interference in a residential installation. This equipment generates, uses and can radiate radio frequency energy and, if not installed and used in accordance with the instructions, may cause harmful interference to radio communications. However, there is no guarantee that interference will not occur in a particular installation. If this equipment does cause harmful interference to radio or television reception, which can be determined by turning the equipment off and on, the user is encouraged to try to correct the interference by one or more of the following measures:

- Reorient or relocate the receiving antenna.
- Increase the separation between the equipment and receiver.
- Connect the equipment into an outlet on a circuit different from that to which the receiver is connected.
- Consult the dealer or an experienced radio/TV technician for help.

Changes or modifications to equipment not expressly approved by PHIHONG could void the user's authority to operate the equipment.