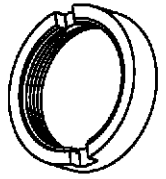
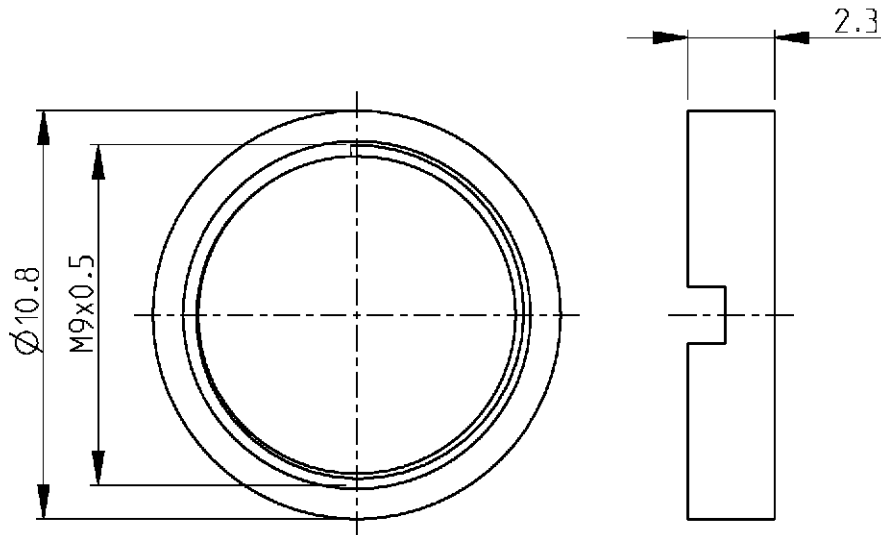


LOC	DIST	REVISIONS			
P	LTR	DESCRIPTION	DATE	DWN	APVD
GW	-	A	-	05FEB2001	BL KM



2:1



△2 Material : Brass

Plating : Nickel min 2 µm .

△1 Tolerance : ISO 8015 ISO 2768-m-R

Cross reference tabel

Old part number	Tyco part number
C42334-A76-C6	1-1393562-0



1:1

2000

RELEASED FOR PUBLICATION

THIS DRAWING IS UNPUBLISHED.

BY TYCO ELECTRONICS CORPORATION. ALL RIGHTS RESERVED.

© COPYRIGHT 2000

DIMENSIONS: mm	DWN	21FEB2001	MATERIAL	△2	FINISH	-
	CHR	22FEB2001	Tyco Electronics Oostkamp - Belgium			
TOLERANCES UNLESS OTHERWISE SPECIFIED:	K. Mattheeuws	23FEB2001				
	APVD		SIZE	CAGE CODE	DRAWING NO	RESTRICTED TO
0 PLC ±	PRODUCT SPEC	-	A 4	00779	©=1-1393562-0	-
1 PLC ±	APPLICATION SPEC	-	CUSTOMER DRAWING			
2 PLC ±	WEIGHT	-	SCALE	5/1	SHEET	1 OF 1
3 PLC ±			REV	A		
4 PLC ±						
ANGLES ±						