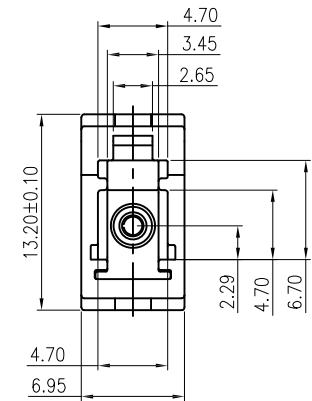
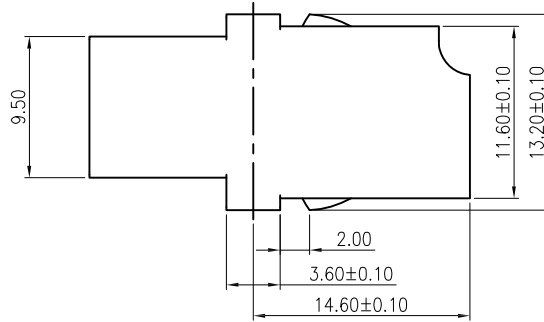
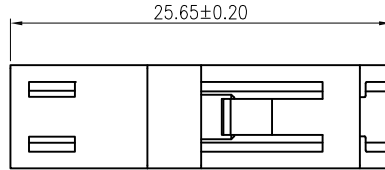
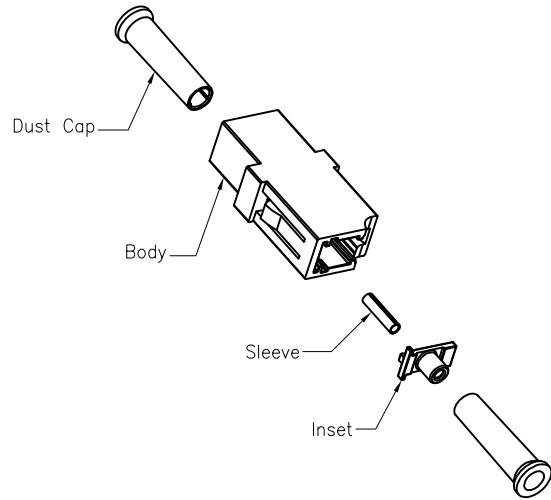


6	5	4	3	2	1
APPROVED: _____ DATE: _____ TITLE: _____				Rev	AWO #
				Description	Date
				RELEASED	9/8/20
				Appr	



OPLC1BNNC1NA	PBT Beige	PP White
OPLA1BNNC1NA	PBT Green	PP White
OPLB1BNNC1NA	PBT Blue	PP White
Part name	Material, Color	CAP Color

**SPECIFICATIONS:**

Material:  
 Housing: PBT, rated UL 94V-0, Color: See Chart  
 Cap: PP, rated UL 94V-0, Color: White  
 Sleeve: Zirconia Ceramic  
 Electrical:  
 Standards of IEC 61754-20, YD/T 1272.1-2003  
 Repeatability: 500 min times  
 Insertion loss: 0.2dB max  
 Interchangeability: 0.2dB  
 Temperature Rating:  
 Operating temperature: -40°C to +85°C  
 Environmental:  
 Lead free, RoHS compliant.



UNLESS OTHERWISE SPECIFIED ALL DIMENSIONS ARE MILLIMETERS TOLERANCES: EXCEPT AS NOTED		
MM	ANGLE	
X. ± 0.35	X.* ± 2°	
.X ± 0.30	.X* ± 1°	
.XX ± 0.25	.XX* ± 0.5°	
.XXX ± 0.15	.XXX* ± 0.5°	
APPROVALS		DATE
DRAWN	OW	9/8/20
CHECKED	JL	9/8/20
APPROVED		

**ADAM TECH** INTERCONNECTS  
 909 Rahway Avenue,  
 Union, NJ 07083  
 Phone: 908-687-5000  
 Fax: 908-687-5710

TITLE: OPTICAL LC ADAPTERS, APC&PC&MM, 1 PORTS  
 SHORT EARS, WITH LC DUST CAP

SIZE	PART NO.	REV.
X	OPLX1BNNC1NA	-
REF:	S00005C	SCALE: NTS
		SHEET 1 OF 1