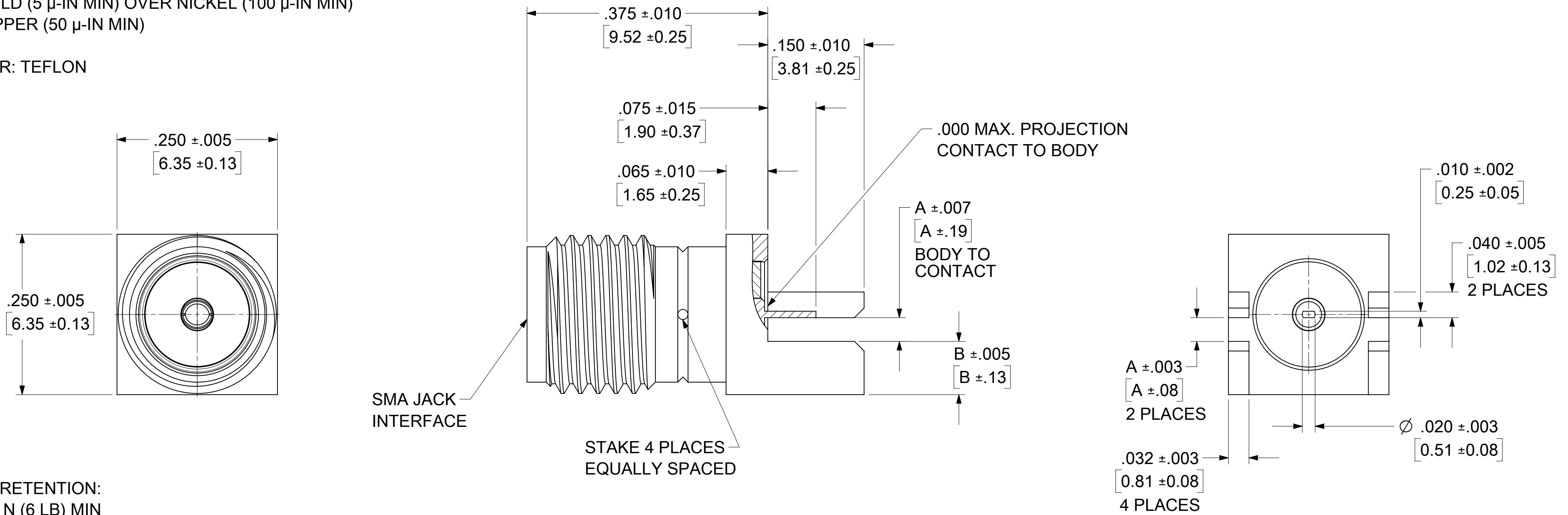
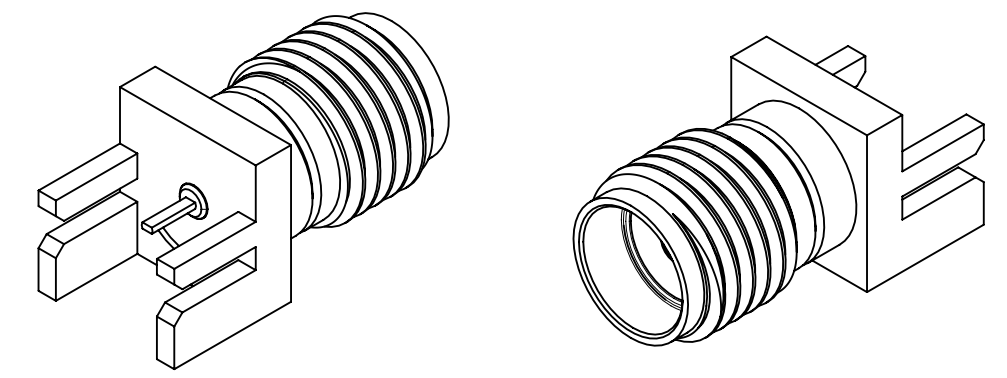


MATERIALS AND FINISHES:

BODY: BRASS
 73251-4430, -4431, -4432
 FINISH GOLD (10 μ-IN MIN) OVER NICKEL (100 μ-IN MIN)
 OVER COPPER (50 μ-IN MIN)
 73251-4433
 FINISH GOLD (1 μ-IN MIN) OVER NICKEL (100 μ-IN MIN)
 OVER COPPER (50 μ-IN MIN)

CONTACT: BERYLLIUM COPPER
 73251-4430, -4431, -4432
 FINISH GOLD (10 μ-IN MIN) OVER NICKEL (50 μ-IN MIN)
 OVER COPPER (50 μ-IN MIN)
 73251-4433
 FINISH GOLD (5 μ-IN MIN) OVER NICKEL (100 μ-IN MIN)
 OVER COPPER (50 μ-IN MIN)

INSULATOR: TEFLON



CONTACT RETENTION:
 AXIAL 26.7 N (6 LB) MIN
 TORQUE 2.82 N-CM (4 IN-OZ) MIN

UL FILE NUMBER E107635

73251-4433	.048	1.22	.072	1.83	BY TRAY, PER 89542-0040
73251-4432	.068	1.73	.052	1.32	
73251-4431	.048	1.22	.072	1.83	
73251-4430	.037	0.94	.083	2.11	
PART NO.	IN	MM	IN	MM	PACKAGING
DIM (X)	DIM A		DIM B		

MIL-STD-348A, FIG.310.2	SMA JACK INTERFACE
PS-89675-346	PRODUCT SPECIFICATION
SPECIFICATION	DESCRIPTION

FUNCTIONAL SYMBOLS	THIS DRAWING CONTAINS INFORMATION THAT IS PROPRIETARY TO MOLEX ELECTRONIC TECHNOLOGIES, LLC AND SHOULD NOT BE USED WITHOUT WRITTEN PERMISSION		CURRENT REV DESC: ADD PKG NOTE PER EWR15242-A	
$\frac{F}{A} = 0$	DIMENSION UNITS	SCALE		
$\frac{F}{C} = 0$	IN/MM	NTS		
$\frac{F}{P} = 0$	GENERAL TOLERANCES (UNLESS SPECIFIED)			
DIVISIONAL SYMBOLS	ANGULAR TOL	± 2.0°		
	4 PLACES	±	EC NO: 709659	2022/06/06
	3 PLACES	±	DRWN: CWEI02	2022/06/15
	2 PLACES	±	CHK'D: YCHENG	2022/06/15
	1 PLACE	±	APPR: YCHENG	2022/06/15
	0 PLACES	±	INITIAL REVISION:	
			DRWN: JLEE02	2011/03/07
			APPR: JWIENER	2011/04/11
	DRAFT WHERE APPLICABLE MUST REMAIN WITHIN DIMENSIONS	THIRD ANGLE PROJECTION	DRAWING	SERIES
			C-SIZE	73251
	DOCUMENT NUMBER	CUSTOMER	DOC TYPE	DOC PART
	SD-73251-443	GENERAL MARKET	PSD	001
	MATERIAL NUMBER	CUSTOMER	DOC PART	REVISION
	SEE TABLE	GENERAL MARKET	001	A2
	DOCUMENT STATUS	RELEASE DATE	SHEET NUMBER	
	P1	2022/06/15 11:25:52	1 OF 1	