

ITEM	Q'TY	PART NUMBER	PART DESCRIPTION
1	1	FLPV-XX	Flexible Light Pipe Adapter, Vertical, w/LED
2	1	FLP5-XX.X	Flexible Light-Pipe Lens Cap Assembly, 7mm Round

REV.	DESCRIPTION	DATE	APPROVED
A	Engineering Release.	07/14/08	M. C.
B	3UWC-0.6K-F Changed to 3UWC1.035C-F	04/03/12	T. Y.
C	Updated Table For Length "L"	11/16/12	T. Y.
D	Updated LED Optical Characteristics	09/15/15	J. C.
E	Updated LED Tables	08/15/18	M. C.
F	Updated LED Tables	11/13/18	M. C.

NOTE: FLPV-XXX ADAPTER SHIPPED NON-ASSEMBLED

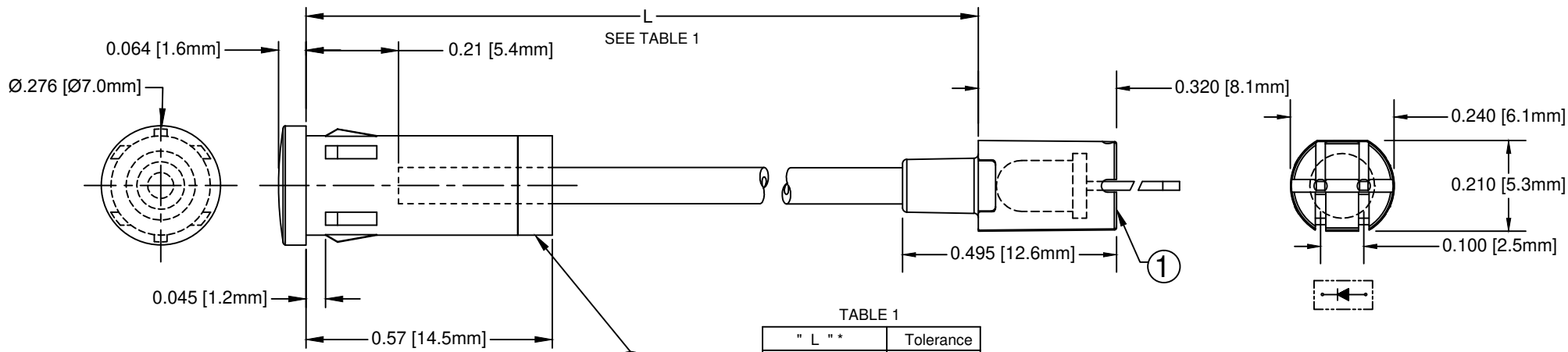
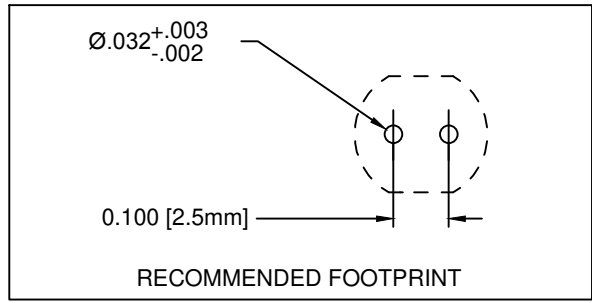
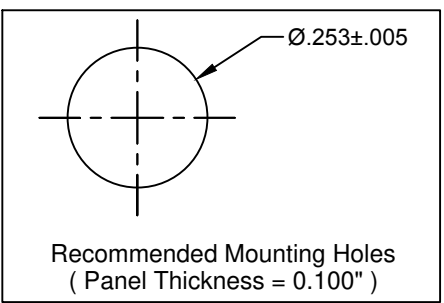
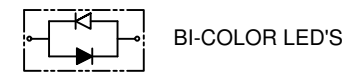


TABLE 1

" L " **	Tolerance
1.0" ~ 16.0"	±0.050"
16.1" ~ 40.0"	±0.15"
40.1" ~ 80.0"	±0.30"
80.1" ~ 3,940.0"	±0.5%

* Available in 0.1" increments only



SHORT LEAD CATHODE	LED PART NO.	LONG LEAD CATHODE
RED	3xBCC-F	GREEN
YELLOW	3BC-Y/G-F	GREEN

ABSOLUTE MAXIMUM RATINGS (Ta=25°C)

REVERSE VOLTAGE	5V
REVERSE CURRENT	100uA
OPERATING TEMPERATURE RANGE	-25° C - 85° C
STORAGE TEMPERATURE	-30° C - 100° C
LEAD SOLDERING TEMPERATURE(1/16" FROM BODY)	260° C FOR 5 SECONDS

STANDARD TOLERANCE (UNLESS OTHERWISE SPECIFIED)		 4 THOMAS, IRVINE, CA. 92618 TEL: (949) 951-8808 FAX: (949) 951-3974	
DECIMALS	ANGULAR		
.X ±.1	X° ±1°	TITLE: FLEXIBLE LIGHT-PIPE ASSY VERTICAL, 7mm LENS CAP W/LED PART NO: FLP5VX.X-XX REVISION: F	
.XX ±.02			
.XXX ±.010		CAGE CODE: 32559 SCALE: NONE SHEET # 1 OF 3	
DESIGNED: R. PAJE	DATE: 07/14/08		
REVISOR: K. BARON	DATE: 11/13/18	CAD GENERATED DOCUMENT, DO NOT MEASURE DRAWING	
CHECKED: TD. NGUYEN	DATE: 11/13/18		

FLEXIBLE LP ASSY Part No.	ADAPTER Part No.	LED Part No.	Peak Wave Length	Emitted Color	Electro-Optical Data @ 20mA		
			$\lambda p(nm)$		Vf (V)		Iv (mcd)
					TYP	MAX	TYP
FLP5VX.X-SG	FLPV-SG	3SGC-F	568	SUPER GREEN	2.1	2.8	50
FLP5VX.X-SY	FLPV-SY	3SYC-F	590	SUPER YELLOW	2.0	2.8	50
FLP5VX.X-SR	FLPV-SR	3SRC-F	645	SUPER RED	1.7	2.4	60
FLP5VX.X-UBW.6K	FLPV-UBW.6K	3UBWC-0.6K-F	470	BLUE	4.0	4.5	400
FLP5VX.X-UT	FLPV-UT	3UTC-F	500	TURQUOISE	3.5	4.0	800
FLP5VX.X-UG	FLPV-UG	3UGC-F	570	GREEN	2.1	2.4	200
FLP5VX.X-SUG	FLPV-SUG	3SUGC-F	570	GREEN	2.1	2.4	300
FLP5VX.X-UY	FLPV-UY	3UYC-F	590	YELLOW	2.0	2.4	300
FLP5VX.X-UR	FLPV-UR	3URC-F	645	RED	1.7	2.4	200
FLP5VX.X-SUR	FLPV-SUR	3SURC-F	640	RED	1.8	2.4	200
FLP5VX.X-UW.6K	FLPV-UW.6K	3UWC1.035C-F	-	WHITE	3.2	3.6	6000

VISIT WWW.BIVAR.COM FOR CURRENT LED DATASHEETS
LED DETAILS ON DATASHEETS TAKE PRECEDENCE OVER DETAILS SHOWN HERE

FLEXIBLE LIGHT PIPE SERIES FLP5V X.X - XXX

Emitted Colors

"L" LENGTH, inches
available in 0.1" increments only
e.g. 6.0, 11.5

FLEXIBLE LP ASSY Part No.	Adapter Part No.	LED Part No.	Peak Wave Length λ_p (nm)	Emitted Color	Electro-Optical Data @ 20mA		
					Vf (V)		Iv (mcd)
					TYP	MAX	TYP
FLP5VX.X-BC	FLPV-BC	3BCC-F	625	HE RED	2.0	2.8	8
			568	GREEN	2.1	2.8	8
FLP5VX.X-SBC	FLPV-SBC	3SBCC-F	645	SUPER RED	1.7	2.4	100
			568	HE GREEN	2.1	2.8	60

VISIT WWW.BIVAR.COM FOR CURRENT LED DATASHEETS
LED DETAILS ON DATASHEETS TAKE PRECEDENCE OVER DETAILS SHOWN HERE

FLEXIBLE LIGHT PIPE SERIES — FLP5V X.X - XXX

Emitted Colors

"L" LENGTH, inches
available in 0.1" increments only
e.g. 6.0, 11.5