



- 1
- 2
- 3
- 4
- 5
- 6
- 7
- 8
- 9
- 10
- 11

**BASE**

Glass-fibre reinforced polyamide based (PA) technopolymer, black colour, matte finish.

**ARTICULATED STEM**

Threaded zinc-plated steel with regulation hexagon.

**STANDARD EXECUTIONS**

- **LS.A:** without no-slip disk.
- **LS.A-AS:** with NBR rubber no-slip disk, hardness 70 Shore A, supplied assembled to the base.

**FEATURES**

The particular assembling system of the no-slip disk to the base assures a perfect anchoring, preventing separation even in case of impact during transport or of adhesion (sticking) to the floor (see No-slip disks on page 835).

**ORDER INFORMATION**

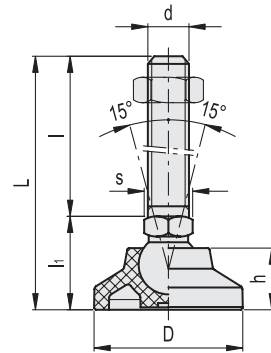
The levelling feet are supplied unassembled to make carriage and storage easier. The components (base and stem) are supplied in separate packing: less volume taken and better protection from scratches and dirt.

To order bases and stems separately, see:

- table of possible combinations Bases/Stems (see page 839)
- the codes of the Bases (see page 836)
- the codes of the Stems (see page 840).

**ACCESSORIES ON REQUEST**

Zinc-plated steel nut (see Nuts NT. on page 835).



**Conversion Table**  
1 mm = 0.039 inch

D	
mm	inch
25	0.98

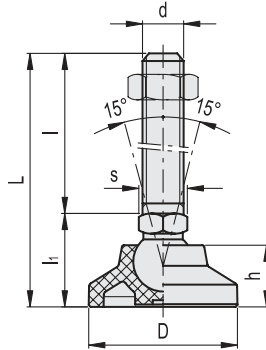
**LS.A**

Code	Description	D	d	L	l	l1	h	s	Articulation Ø	Max. limit static load* [N]	⚖️
340521	LS.A-25-8.5-M8x43	25	M8	61	43	18	12	10	8.5	5000	28
340525	LS.A-25-8.5-M8x68	25	M8	86	68	18	12	10	8.5	5000	38
340621	LS.A-25-8.5-M10x43	25	M10	61	43	18	12	10	8.5	5000	38
340625	LS.A-25-8.5-M10x68	25	M10	86	68	18	12	10	8.5	5000	50
340631	LS.A-25-8.5-M10x98	25	M10	116	98	18	12	10	8.5	5000	64
340721	LS.A-25-8.5-M12x43	25	M12	61	43	18	12	12	8.5	5000	48
340725	LS.A-25-8.5-M12x68	25	M12	86	68	18	12	12	8.5	5000	65
340731	LS.A-25-8.5-M12x98	25	M12	116	98	18	12	12	8.5	5000	86
341121	LS.A-25-14-M8x43	25	M8	67	43	24	12	14	14	7000	32
341125	LS.A-25-14-M8x68	25	M8	92	68	24	12	14	14	7000	42
341221	LS.A-25-14-M10x43	25	M10	67	43	24	12	14	14	7000	42
341225	LS.A-25-14-M10x68	25	M10	92	68	24	12	14	14	7000	54
341231	LS.A-25-14-M10x98	25	M10	122	98	24	12	14	14	7000	68
341321	LS.A-25-14-M12x43	25	M12	67	43	24	12	14	14	7000	52
341325	LS.A-25-14-M12x68	25	M12	92	68	24	12	14	14	7000	69
341331	LS.A-25-14-M12x98	25	M12	122	98	24	12	14	14	7000	90
341421	LS.A-25-14-M14x68	25	M14	92	68	24	12	14	14	7000	84
341431	LS.A-25-14-M14x98	25	M14	122	98	24	12	14	14	7000	105
341441	LS.A-25-14-M14x148	25	M14	172	148	24	12	14	14	7000	188
341521	LS.A-25-14-M16x68	25	M16	92	68	24	12	16	14	7000	113
341525	LS.A-25-14-M16x108	25	M16	132	108	24	12	16	14	7000	162
341541	LS.A-25-14-M16x148	25	M16	172	148	24	12	16	14	7000	214
341561	LS.A-25-14-M16x168	25	M16	192	168	24	12	16	14	7000	240

\* The max static load is the value above which the load applied to the element may cause some plastic material breakage, in particular conditions of use. Obviously, a factor that takes into consideration the importance and the safety level of the specific application must be applied to this value.

Levelling feet and supports

Conversion Table 1 mm = 0.039 inch	
D	
mm	inch
32	1.26
40	1.57

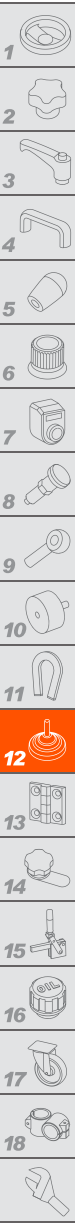


LS.A

METRIC

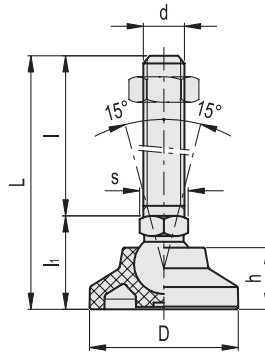
Code	Description	D	d	L	l	l1	h	s	Articulation ∅	Max. limit static load* [N]	⚖️
341611	LS.A-32-8.5-M8x43	32	M8	64.5	43	21.5	15	10	8.5	6000	33
341615	LS.A-32-8.5-M8x68	32	M8	89.5	68	21.5	15	10	8.5	6000	44
341621	LS.A-32-8.5-M10x43	32	M10	64.5	43	21.5	15	10	8.5	6000	44
341625	LS.A-32-8.5-M10x68	32	M10	89.5	68	21.5	15	10	8.5	6000	55
341631	LS.A-32-8.5-M10x98	32	M10	119.5	98	21.5	15	10	8.5	6000	69
341721	LS.A-32-8.5-M12x43	32	M12	64.5	43	21.5	15	12	8.5	6000	53
341725	LS.A-32-8.5-M12x68	32	M12	89.5	68	21.5	15	12	8.5	6000	70
341731	LS.A-32-8.5-M12x98	32	M12	119.5	98	21.5	15	12	8.5	6000	91
342121	LS.A-32-14-M8x43	32	M8	68	43	25	15	14	14	9000	37
342125	LS.A-32-14-M8x68	32	M8	93	68	25	15	14	14	9000	47
342221	LS.A-32-14-M10x43	32	M10	68	43	25	15	14	14	9000	47
342225	LS.A-32-14-M10x68	32	M10	93	68	25	15	14	14	9000	59
342231	LS.A-32-14-M10x98	32	M10	123	98	25	15	14	14	9000	73
342321	LS.A-32-14-M12x43	32	M12	68	43	25	15	14	14	9000	57
342325	LS.A-32-14-M12x68	32	M12	93	68	25	15	14	14	9000	74
342331	LS.A-32-14-M12x98	32	M12	123	98	25	15	14	14	9000	95
342421	LS.A-32-14-M14X68	32	M14	93	68	25	15	14	14	9000	90
342431	LS.A-32-14-M14X98	32	M14	123	98	25	15	14	14	9000	111
342441	LS.A-32-14-M14X148	32	M14	173	148	25	15	14	14	9000	194
342521	LS.A-32-14-M16x68	32	M16	93	68	25	15	16	14	9000	118
342525	LS.A-32-14-M16x108	32	M16	133	108	25	15	16	14	9000	170
342541	LS.A-32-14-M16x148	32	M16	173	148	25	15	16	14	9000	222
342561	LS.A-32-14-M16x168	32	M16	193	168	25	15	16	14	9000	248
342611	LS.A-40-8.5-M8x43	40	M8	66	43	23	17	10	8.5	7000	37
342615	LS.A-40-8.5-M8x68	40	M8	91	68	23	17	10	8.5	7000	47
342621	LS.A-40-8.5-M10x43	40	M10	66	43	23	17	10	8.5	7000	47
342625	LS.A-40-8.5-M10x68	40	M10	91	68	23	17	10	8.5	7000	59
342631	LS.A-40-8.5-M10x98	40	M10	121	98	23	17	10	8.5	7000	73
342721	LS.A-40-8.5-M12x43	40	M12	66	43	23	17	12	8.5	7000	57
342725	LS.A-40-8.5-M12x68	40	M12	91	68	23	17	12	8.5	7000	74
342731	LS.A-40-8.5-M12x98	40	M12	121	98	23	17	12	8.5	7000	95
343121	LS.A-40-14-M8x43	40	M8	68	43	25	17	14	14	13000	41
343125	LS.A-40-14-M8x68	40	M8	93	68	25	17	14	14	13000	51
343221	LS.A-40-14-M10x43	40	M10	68	43	25	17	14	14	13000	51
343225	LS.A-40-14-M10x68	40	M10	93	68	25	17	14	14	13000	63
343231	LS.A-40-14-M10x98	40	M10	123	98	25	17	14	14	13000	77
343321	LS.A-40-14-M12x43	40	M12	68	43	25	17	14	14	13000	61
343325	LS.A-40-14-M12x68	40	M12	93	68	25	17	14	14	13000	78
343331	LS.A-40-14-M12x98	40	M12	123	98	25	17	14	14	13000	99
343421	LS.A-40-14-M14X68	40	M14	93	68	25	17	14	14	13000	93
343431	LS.A-40-14-M14X98	40	M14	123	98	25	17	14	14	13000	114
343441	LS.A-40-14-M14X148	40	M14	173	148	25	17	14	14	13000	197
343521	LS.A-40-14-M16x68	40	M16	93	68	25	17	16	14	13000	122
343525	LS.A-40-14-M16x108	40	M16	133	108	25	17	16	14	13000	174
343541	LS.A-40-14-M16x148	40	M16	173	148	25	17	16	14	13000	226
343561	LS.A-40-14-M16x168	40	M16	193	168	25	17	16	14	13000	252

\* The max static load is the value above which the load applied to the element may cause some plastic material breakage, in particular conditions of use. Obviously, a factor that takes into consideration the importance and the safety level of the specific application must be applied to this value.



- 1
- 2
- 3
- 4
- 5
- 6
- 7
- 8
- 9
- 10
- 11
- 12
- 13
- 14
- 15
- 16
- 17
- 18

Conversion Table	
1 mm = 0.039 inch	
D	
mm	inch
50	1.97
60	2.34



METRIC

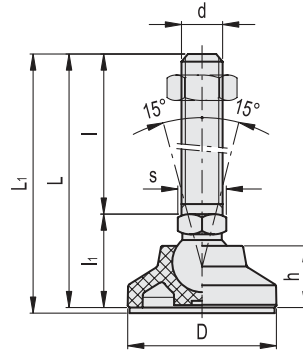
LS.A

Code	Description	D	d	L	l	l1	h	s	Articulation Ø	Max. limit static load* [N]	⚖️
343611	LS.A-50-8.5-M8x43	50	M8	68	43	25	19	10	8.5	8000	44
343615	LS.A-50-8.5-M8x68	50	M8	93	68	25	19	10	8.5	8000	54
343621	LS.A-50-8.5-M10x43	50	M10	68	43	25	19	10	8.5	8000	54
343625	LS.A-50-8.5-M10x68	50	M10	93	68	25	19	10	8.5	8000	66
343631	LS.A-50-8.5-M10x98	50	M10	123	98	25	19	10	8.5	8000	80
343721	LS.A-50-8.5-M12x43	50	M12	68	43	25	19	12	8.5	8000	64
343725	LS.A-50-8.5-M12x68	50	M12	93	68	25	19	12	8.5	8000	81
343731	LS.A-50-8.5-M12x98	50	M12	123	98	25	19	12	8.5	8000	102
344121	LS.A-50-14-M8x43	50	M8	70	43	27	19	14	14	13000	48
344125	LS.A-50-14-M8x68	50	M8	95	68	27	19	14	14	13000	58
344221	LS.A-50-14-M10x43	50	M10	70	43	27	19	14	14	13000	58
344225	LS.A-50-14-M10x68	50	M10	95	68	27	19	14	14	13000	70
344231	LS.A-50-14-M10x98	50	M10	125	98	27	19	14	14	13000	84
344321	LS.A-50-14-M12x43	50	M12	70	43	27	19	14	14	13000	68
344325	LS.A-50-14-M12x68	50	M12	95	68	27	19	14	14	13000	85
344331	LS.A-50-14-M12x98	50	M12	125	98	27	19	14	14	13000	106
344421	LS.A-50-14-M14x68	50	M14	95	68	27	19	14	14	13000	100
344431	LS.A-50-14-M14x98	50	M14	125	98	27	19	14	14	13000	121
344441	LS.A-50-14-M14x148	50	M14	175	148	27	19	14	14	13000	204
344521	LS.A-50-14-M16x68	50	M16	95	68	27	19	16	14	13000	129
344525	LS.A-50-14-M16x108	50	M16	135	108	27	19	16	14	13000	181
344541	LS.A-50-14-M16x148	50	M16	175	148	27	19	16	14	13000	233
344561	LS.A-50-14-M16x168	50	M16	195	168	27	19	16	14	13000	259
344611	LS.A-60-14-M8X43	60	M8	76	43	33	24	14	14	14000	59
344615	LS.A-60-14-M8X68	60	M8	101	68	33	24	14	14	14000	71
344621	LS.A-60-14-M10X43	60	M10	76	43	33	24	14	14	14000	68
344625	LS.A-60-14-M10X68	60	M10	101	68	33	24	14	14	14000	79
344631	LS.A-60-14-M10X98	60	M10	131	98	33	24	14	14	14000	94
344721	LS.A-60-14-M12X43	60	M12	76	43	33	24	14	14	14000	78
344725	LS.A-60-14-M12X68	60	M12	101	68	33	24	14	14	14000	95
344731	LS.A-60-14-M12X98	60	M12	131	98	33	24	14	14	14000	116
345121	LS.A-60-14-M14X68	60	M14	101	68	33	24	14	14	14000	121
345125	LS.A-60-14-M14X98	60	M14	131	98	33	24	14	14	14000	142
345221	LS.A-60-14-M14X148	60	M14	181	148	33	24	14	14	14000	225
345225	LS.A-60-14-M16X68	60	M16	101	68	33	24	16	14	14000	143
345231	LS.A-60-14-M16X108	60	M16	141	108	33	24	16	14	14000	195
345235	LS.A-60-14-M16X148	60	M16	181	148	33	24	16	14	14000	247
345241	LS.A-60-14-M16X168	60	M16	201	168	33	24	16	14	14000	273
345245	LS.A-60-24-M16X58	60	M16	101	58	43	24	24	24	18000	204
345251	LS.A-60-24-M16X98	60	M16	141	98	43	24	24	24	18000	255
345255	LS.A-60-24-M16X138	60	M16	181	138	43	24	24	24	18000	305
345261	LS.A-60-24-M16X158	60	M16	201	158	43	24	24	24	18000	332
345265	LS.A-60-24-M20X98	60	M20	141	98	43	24	24	24	18000	325
345271	LS.A-60-24-M20X138	60	M20	181	138	43	24	24	24	18000	404
345275	LS.A-60-24-M20X158	60	M20	201	158	43	24	24	24	18000	443
345281	LS.A-60-24-M20X198	60	M20	241	198	43	24	24	24	18000	526
345285	LS.A-60-24-M24X98	60	M24	141	98	43	24	24	24	18000	423
345291	LS.A-60-24-M24X158	60	M24	201	158	43	24	24	24	18000	595
345295	LS.A-60-24-M24X198	60	M24	241	198	43	24	24	24	18000	713

\* The max static load is the value above which the load applied to the element may cause some plastic material breakage, in particular conditions of use. Obviously, a factor that takes into consideration the importance and the safety level of the specific application must be applied to this value.

Levelling feet and supports

Conversion Table 1 mm = 0.039 inch	
D	
mm	inch
25	0.98
32	1.26

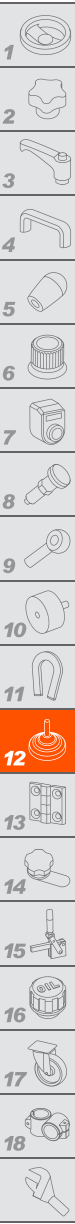


LS.A-AS

METRIC

Code	Description	D	d	L	L1	l	l1	h	s	Articulation Ø	Max. limit static load* [N]	⚖️
345521	LS.A-25-8.5-AS-M8x43	25	M8	61	64	43	18	12	10	8.5	5000	30
345525	LS.A-25-8.5-AS-M8x68	25	M8	86	89	68	18	12	10	8.5	5000	40
345621	LS.A-25-8.5-AS-M10x43	25	M10	61	64	43	18	12	10	8.5	5000	40
345625	LS.A-25-8.5-AS-M10x68	25	M10	86	89	68	18	12	10	8.5	5000	52
345631	LS.A-25-8.5-AS-M10x98	25	M10	116	119	98	18	12	10	8.5	5000	66
345721	LS.A-25-8.5-AS-M12x43	25	M12	61	64	43	18	12	12	8.5	5000	50
345725	LS.A-25-8.5-AS-M12x68	25	M12	86	89	68	18	12	12	8.5	5000	67
345731	LS.A-25-8.5-AS-M12x98	25	M12	116	119	98	18	12	12	8.5	5000	88
346121	LS.A-25-14-AS-M8x43	25	M8	67	70	43	24	12	14	14	7000	34
346125	LS.A-25-14-AS-M8x68	25	M8	92	95	68	24	12	14	14	7000	44
346221	LS.A-25-14-AS-M10x43	25	M10	67	70	43	24	12	14	14	7000	44
346225	LS.A-25-14-AS-M10x68	25	M10	92	95	68	24	12	14	14	7000	56
346231	LS.A-25-14-AS-M10x98	25	M10	122	125	98	24	12	14	14	7000	70
346321	LS.A-25-14-AS-M12x43	25	M12	67	70	43	24	12	14	14	7000	54
346325	LS.A-25-14-AS-M12x68	25	M12	92	95	68	24	12	14	14	7000	71
346331	LS.A-25-14-AS-M12x98	25	M12	122	125	98	24	12	14	14	7000	92
346421	LS.A-25-14-AS-M14x68	25	M14	92	95	68	24	12	14	14	7000	86
346431	LS.A-25-14-AS-M14x98	25	M14	122	125	98	24	12	14	14	7000	107
346441	LS.A-25-14-AS-M14x148	25	M14	172	175	148	24	12	14	14	7000	190
346521	LS.A-25-14-AS-M16x68	25	M16	92	95	68	24	12	16	14	7000	115
346525	LS.A-25-14-AS-M16x108	25	M16	132	135	108	24	12	16	14	7000	164
346541	LS.A-25-14-AS-M16x148	25	M16	172	175	148	24	12	16	14	7000	216
346561	LS.A-25-14-AS-M16x168	25	M16	192	195	168	24	12	16	14	7000	242
346611	LS.A-32-8.5-AS-M8x43	32	M8	64.5	67.5	43	21.5	15	10	8.5	6000	37
346615	LS.A-32-8.5-AS-M8x68	32	M8	89.5	92.5	68	21.5	15	10	8.5	6000	47
346621	LS.A-32-8.5-AS-M10x43	32	M10	64.5	67.5	43	21.5	15	10	8.5	6000	47
346625	LS.A-32-8.5-AS-M10x68	32	M10	89.5	92.5	68	21.5	15	10	8.5	6000	59
346631	LS.A-32-8.5-AS-M10x98	32	M10	119.5	122.5	98	21.5	15	10	8.5	6000	73
346721	LS.A-32-8.5-AS-M12x43	32	M12	64.5	67.5	43	21.5	15	12	8.5	6000	57
346725	LS.A-32-8.5-AS-M12x68	32	M12	89.5	92.5	68	21.5	15	12	8.5	6000	74
346731	LS.A-32-8.5-AS-M12x98	32	M12	119.5	122.5	98	21.5	15	12	8.5	6000	95
347121	LS.A-32-14-AS-M8x43	32	M8	68	71	43	25	15	14	14	9000	41
347125	LS.A-32-14-AS-M8x68	32	M8	93	96	68	25	15	14	14	9000	51
347221	LS.A-32-14-AS-M10x43	32	M10	68	71	43	25	15	14	14	9000	51
347225	LS.A-32-14-AS-M10x68	32	M10	93	96	68	25	15	14	14	9000	63
347231	LS.A-32-14-AS-M10x98	32	M10	123	126	98	25	15	14	14	9000	77
347321	LS.A-32-14-AS-M12x43	32	M12	68	71	43	25	15	14	14	9000	61
347325	LS.A-32-14-AS-M12x68	32	M12	93	96	68	25	15	14	14	9000	78
347331	LS.A-32-14-AS-M12x98	32	M12	123	126	98	25	15	14	14	9000	99
347421	LS.A-32-14-AS-M14x68	32	M14	93	96	68	25	15	14	14	9000	93
347431	LS.A-32-14-AS-M14x98	32	M14	123	126	98	25	15	14	14	9000	114
347441	LS.A-32-14-AS-M14x148	32	M14	173	176	148	25	15	14	14	9000	197
347521	LS.A-32-14-AS-M16x68	32	M16	93	96	68	25	15	16	14	9000	122
347525	LS.A-32-14-AS-M16x108	32	M16	133	136	108	25	15	16	14	9000	174
347541	LS.A-32-14-AS-M16x148	32	M16	173	176	148	25	15	16	14	9000	226
347561	LS.A-32-14-AS-M16x168	32	M16	193	196	168	25	15	16	14	9000	252

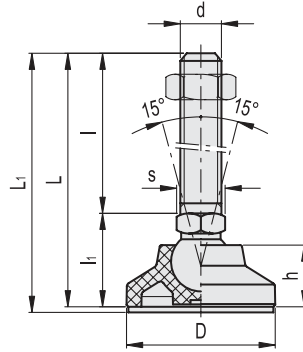
\* The max static load is the value above which the load applied to the element may cause some plastic material breakage, in particular conditions of use. Obviously, a factor that takes into consideration the importance and the safety level of the specific application must be applied to this value.



- 1
- 2
- 3
- 4
- 5
- 6
- 7
- 8
- 9
- 10
- 11
- 12
- 13
- 14
- 15
- 16
- 17
- 18

**Conversion Table**  
1 mm = 0.039 inch

D	
mm	inch
40	1.57
50	1.97



**METRIC**

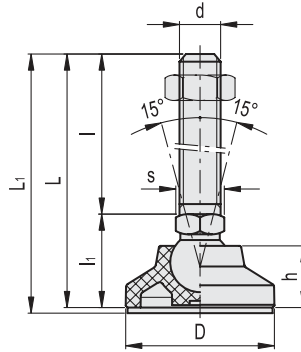
**LS.A-AS**

Code	Description	D	d	L	L1	l	l1	h	s	Articulation Ø	Max. limit static load* [N]	⚖️
347611	LS.A-40-8.5-AS-M8x43	40	M8	66	69	43	23	17	10	8.5	7000	44
347615	LS.A-40-8.5-AS-M8x68	40	M8	91	94	68	23	17	10	8.5	7000	54
347621	LS.A-40-8.5-AS-M10x43	40	M10	66	69	43	23	17	10	8.5	7000	54
347625	LS.A-40-8.5-AS-M10x68	40	M10	91	94	68	23	17	10	8.5	7000	66
347631	LS.A-40-8.5-AS-M10x98	40	M10	121	124	98	23	17	10	8.5	7000	80
347721	LS.A-40-8.5-AS-M12x43	40	M12	66	69	43	23	17	12	8.5	7000	64
347725	LS.A-40-8.5-AS-M12x68	40	M12	91	94	68	23	17	12	8.5	7000	81
347731	LS.A-40-8.5-AS-M12x98	40	M12	121	124	98	23	17	12	8.5	7000	102
348121	LS.A-40-14-AS-M8x43	40	M8	68	71	43	25	17	14	14	13000	48
348125	LS.A-40-14-AS-M8x68	40	M8	93	96	68	25	17	14	14	13000	58
348221	LS.A-40-14-AS-M10x43	40	M10	68	71	43	25	17	14	14	13000	58
348225	LS.A-40-14-AS-M10x68	40	M10	93	96	68	25	17	14	14	13000	70
348231	LS.A-40-14-AS-M10x98	40	M10	123	126	98	25	17	14	14	13000	84
348321	LS.A-40-14-AS-M12x43	40	M12	68	71	43	25	17	14	14	13000	68
348325	LS.A-40-14-AS-M12x68	40	M12	93	96	68	25	17	14	14	13000	85
348331	LS.A-40-14-AS-M12x98	40	M12	123	126	98	25	17	14	14	13000	106
348421	LS.A-40-14-AS-M14x68	40	M14	93	96	68	25	17	14	14	13000	100
348431	LS.A-40-14-AS-M14x98	40	M14	123	126	98	25	17	14	14	13000	121
348441	LS.A-40-14-AS-M14x148	40	M14	173	176	148	25	17	14	14	13000	204
348521	LS.A-40-14-AS-M16x68	40	M16	93	96	68	25	17	16	14	13000	129
348525	LS.A-40-14-AS-M16x108	40	M16	133	136	108	25	17	16	14	13000	181
348541	LS.A-40-14-AS-M16x148	40	M16	173	176	148	25	17	16	14	13000	233
348561	LS.A-40-14-AS-M16x168	40	M16	193	196	168	25	17	16	14	13000	259
348611	LS.A-50-8.5-AS-M8x43	50	M8	68	71	43	25	19	10	8.5	8000	56
348615	LS.A-50-8.5-AS-M8x68	50	M8	93	96	68	25	19	10	8.5	8000	66
348621	LS.A-50-8.5-AS-M10x43	50	M10	68	71	43	25	19	10	8.5	8000	66
348625	LS.A-50-8.5-AS-M10x68	50	M10	93	96	68	25	19	10	8.5	8000	78
348631	LS.A-50-8.5-AS-M10x98	50	M10	123	126	98	25	19	10	8.5	8000	92
348721	LS.A-50-8.5-AS-M12x43	50	M12	68	71	43	25	19	12	8.5	8000	76
348725	LS.A-50-8.5-AS-M12x68	50	M12	93	96	68	25	19	12	8.5	8000	93
348731	LS.A-50-8.5-AS-M12x98	50	M12	123	126	98	25	19	12	8.5	8000	114
349121	LS.A-50-14-AS-M8x43	50	M8	70	73	43	27	19	14	14	13000	60
349125	LS.A-50-14-AS-M8x68	50	M8	95	98	68	27	19	14	14	13000	70
349221	LS.A-50-14-AS-M10x43	50	M10	70	73	43	27	19	14	14	13000	70
349225	LS.A-50-14-AS-M10x68	50	M10	95	98	68	27	19	14	14	13000	82
349231	LS.A-50-14-AS-M10x98	50	M10	125	128	98	27	19	14	14	13000	96
349321	LS.A-50-14-AS-M12x43	50	M12	70	73	43	27	19	14	14	13000	80
349325	LS.A-50-14-AS-M12x68	50	M12	95	98	68	27	19	14	14	13000	97
349331	LS.A-50-14-AS-M12x98	50	M12	125	128	98	27	19	14	14	13000	118
349421	LS.A-50-14-AS-M14x68	50	M14	95	98	68	27	19	14	14	13000	112
349431	LS.A-50-14-AS-M14x98	50	M14	125	128	98	27	19	14	14	13000	132
349441	LS.A-50-14-AS-M14x148	50	M14	175	178	148	27	19	14	14	13000	216
349521	LS.A-50-14-AS-M16x68	50	M16	95	98	68	27	19	16	14	13000	141
349525	LS.A-50-14-AS-M16x108	50	M16	135	138	108	27	19	16	14	13000	193
349541	LS.A-50-14-AS-M16x148	50	M16	175	178	148	27	19	16	14	13000	245
349561	LS.A-50-14-AS-M16x168	50	M16	195	198	168	27	19	16	14	13000	271

\* The max static load is the value above which the load applied to the element may cause some plastic material breakage, in particular conditions of use. Obviously, a factor that takes into consideration the importance and the safety level of the specific application must be applied to this value.

Levelling feet and supports

Conversion Table	
1 mm = 0.039 inch	
D	
mm	inch
60	2.34



LS.A-AS

METRIC

Code	Description	D	d	L	L1	l	l1	h	s	Articulation Ø	Max. limit static load* [N]	⚖️
349611	LS.A-60-14-AS-M8X43	60	M8	76	79	43	33	24	14	14	14000	76
349615	LS.A-60-14-AS-M8X68	60	M8	101	104	68	33	24	14	14	14000	88
349621	LS.A-60-14-AS-M10X43	60	M10	76	79	43	33	24	14	14	14000	85
349625	LS.A-60-14-AS-M10X68	60	M10	101	104	68	33	24	14	14	14000	96
349631	LS.A-60-14-AS-M10X98	60	M10	131	134	98	33	24	14	14	14000	111
349721	LS.A-60-14-AS-M12X43	60	M12	76	79	43	33	24	14	14	14000	95
349725	LS.A-60-14-AS-M12X68	60	M12	101	104	68	33	24	14	14	14000	112
349731	LS.A-60-14-AS-M12X98	60	M12	131	134	98	33	24	14	14	14000	133
350121	LS.A-60-14-AS-M14X68	60	M14	101	104	68	33	24	14	14	14000	138
350125	LS.A-60-14-AS-M14X98	60	M14	131	134	98	33	24	14	14	14000	159
350221	LS.A-60-14-AS-M14X148	60	M14	181	184	148	33	24	14	14	14000	242
350225	LS.A-60-14-AS-M16X68	60	M16	101	104	68	33	24	16	14	14000	160
350231	LS.A-60-14-AS-M16X108	60	M16	141	144	108	33	24	16	14	14000	212
350321	LS.A-60-14-AS-M16X148	60	M16	181	184	148	33	24	16	14	14000	264
350325	LS.A-60-14-AS-M16X168	60	M16	201	204	168	33	24	16	14	14000	290
350331	LS.A-60-24-AS-M16X58	60	M16	101	104	58	43	24	24	24	18000	221
350421	LS.A-60-24-AS-M16X98	60	M16	141	144	98	43	24	24	24	18000	272
350431	LS.A-60-24-AS-M16X138	60	M16	181	184	138	43	24	24	24	18000	322
350441	LS.A-60-24-AS-M16X158	60	M16	201	204	158	43	24	24	24	18000	349
350521	LS.A-60-24-AS-M20X98	60	M20	141	144	98	43	24	24	24	18000	342
350525	LS.A-60-24-AS-M20X138	60	M20	181	184	138	43	24	24	24	18000	421
350541	LS.A-60-24-AS-M20X158	60	M20	201	204	158	43	24	24	24	18000	460
350561	LS.A-60-24-AS-M20X198	60	M20	241	244	198	43	24	24	24	18000	543
350571	LS.A-60-24-AS-M24X98	60	M24	141	144	98	43	24	24	24	18000	440
350575	LS.A-60-24-AS-M24X158	60	M24	201	204	158	43	24	24	24	18000	612
350581	LS.A-60-24-AS-M24X198	60	M24	241	244	198	43	24	24	24	18000	730

\* The max static load is the value above which the load applied to the element may cause some plastic material breakage, in particular conditions of use. Obviously, a factor that takes into consideration the importance and the safety level of the specific application must be applied to this value.

