

DIM.A= 1.27 x No. of Spaces
 DIM.B= DIM.A + 5.05
 DIM.C= DIM.A + 3.85
 *Available in 4 ~ 26 Circuits

Material:
 Insulation: High Temperature Plastic UL 94V-0
 Contact: Brass

Ordering Code:

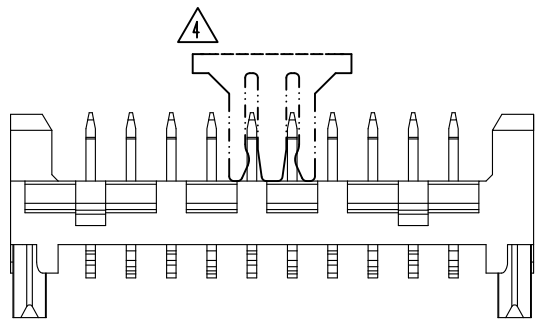
CA35 ** M 1 0 R P - NH
 ① ② ③ ④ ⑤ ⑥ ⑦ ⑧

- ① Series No.:
- ② No. of Circuits: 4 ~ 26 PIN
- ③ Contacts Type: M= SMT Type
- ④ Plating option:
 1= Matte Tin over Nickel plated
- ⑤ Color: 0= Nature
- ⑥ Packing options:
 ④ 0= Tape & Reel (Without pick & place pad)
 R= Tape & Reel (With pick & place pad)
 T= Tube
- ⑦ Other Options:
 G= Without positioning pegs, H= 4.10mm
 D= With positioning pegs, H= 4.10mm
 E= Without positioning pegs, H= 6.40mm
 P= With positioning pegs, H= 6.40mm
- ⑧ NH= For Lead Free IR Processes and Halogen-Free

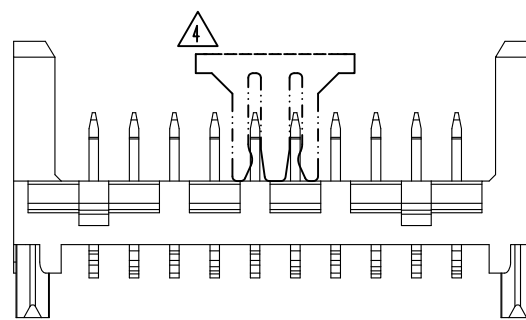
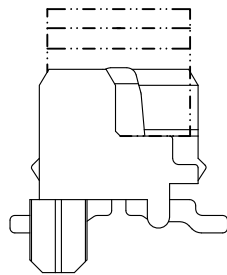
CVILUX
 2021.12.30
 ISSUED

Halogen-Free Lead Free Process RoHS compliant

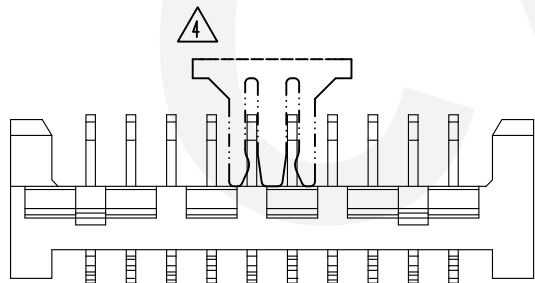
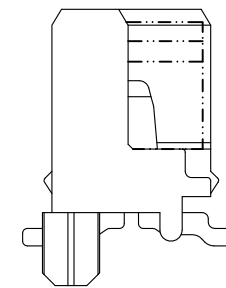
⑤	Sun	12/23-21'	ECNT121317		DATE	UNIT: mm / inch	TITLE: 1.27mm Pitch SMT Type Connector	 瀚荃股份有限公司 CviLux Corporation
④	Karen	8/17-20'	ECNT120216/ECRB120032	DRAWN BY:	Sun	12/23-21'	MATERIAL:	
③	Enya	11/8-13'	ECNT113112/ECRT113034	ENGINEER:	Sun	12/23-21'		
②	Enya	11/19-12'	ECN12290-0/ECR12086-1	CHECKED BY:	Eisley	12/24-21'	FINISH:	
SYM	NAME	DATE	REVISIONS	APPROVED BY:	Eisley	12/24-21'		
						TOLERANCE UNLESS OTHERWISE SPECIFIED	DRAWING NO. CA3501SF	PART NO. CA35**M10**-NH
						.X ± 0.30/.012 .X' ± 1'	SCALE 4 / 1	SHEET 1 OF 5
						.XX ± 0.20/.008 .X' ±		
						.XXX ± 0.10/.004 .XX' ±		



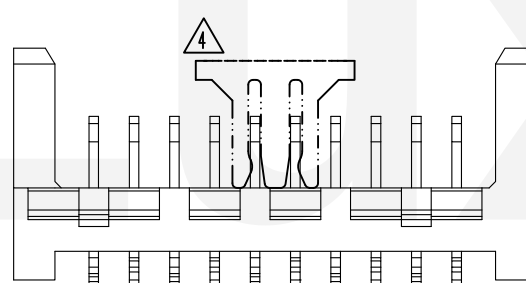
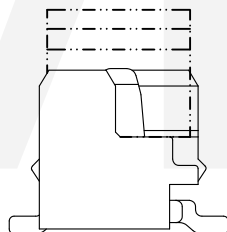
CA35**M10RD-NH



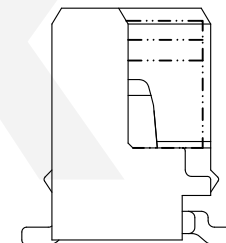
CA35**M10RP-NH



CA35**M10RG-NH




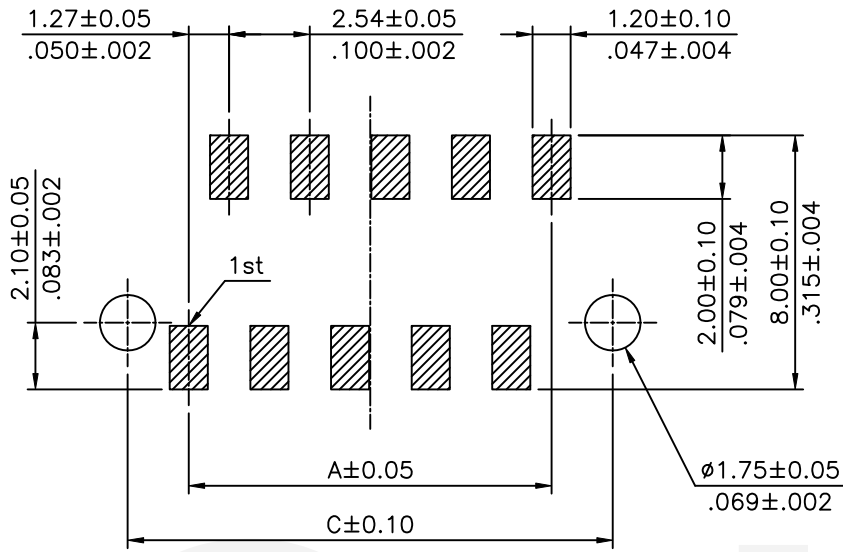
CA35**M10RE-NH



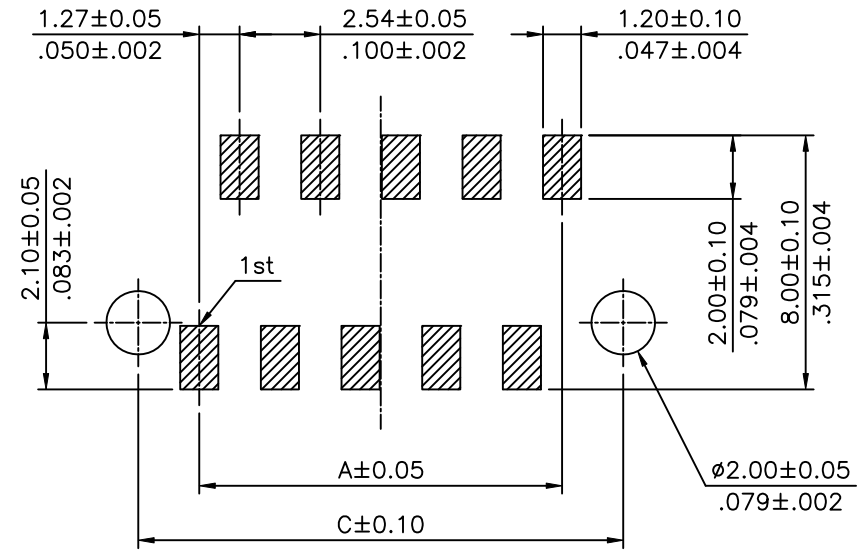
CVILUX
2021.12.30
ISSUED

Halogen-Free Lead Free Process RoHS compliant

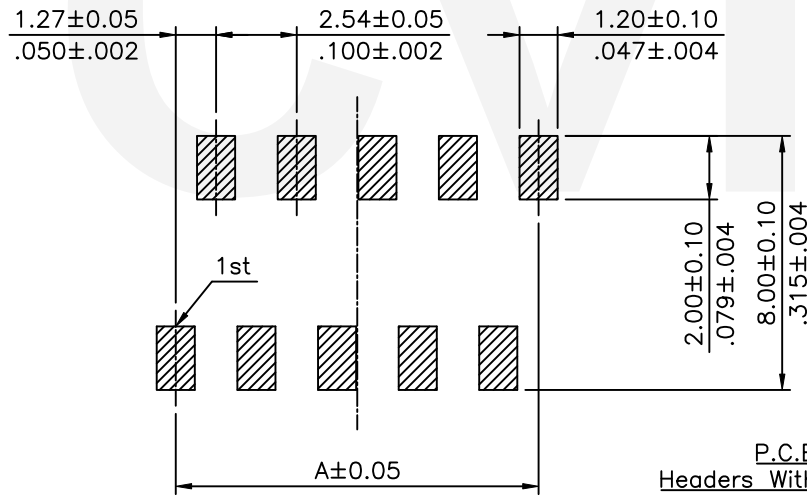
5	Sun	12/23-21'	ECNT121317		DATE	UNIT: mm / inch	TITLE: 1.27mm Pitch SMT Type Connector	 瀚荃股份有限公司 CviLux Corporation			
4	Karen	8/17-20'	ECNT120216/ECRB120032	DRAWN BY:	Sun 12/23-21'	TOLERANCE UNLESS OTHERWISE SPECIFIED	MATERIAL:				
3	Enya	11/8-13'	ECNT113112/ECRT113034	ENGINEER:	Sun 12/23-21'	.X ± 0.20/.008 X' ± 1"	FINISH:	SCALE	4 / 1	SHEET	2 OF 5
2	Enya	11/19-12'	ECN12290-0/ECR12086-1	CHECKED BY:	Eisley 12/24-21'	.XX ± 0.10/.004 .X' ±					
SYM	NAME	DATE	REVISIONS	APPROVED BY:	Eisley 12/24-21'	.XXX ± 0.05/.002 .XX' ±					



P.C.B Layout
Transition Fit With P.C.B Pegs



P.C.B Layout
Clearance Fit With P.C.B Pegs



P.C.B Layout
Headers Without P.C.B Pegs


DIM.A= 1.27 x No. of Spaces
 DIM.B= DIM.A + 5.05
 DIM.C= DIM.A + 3.85
 *Available in 4 ~ 26 Circuits

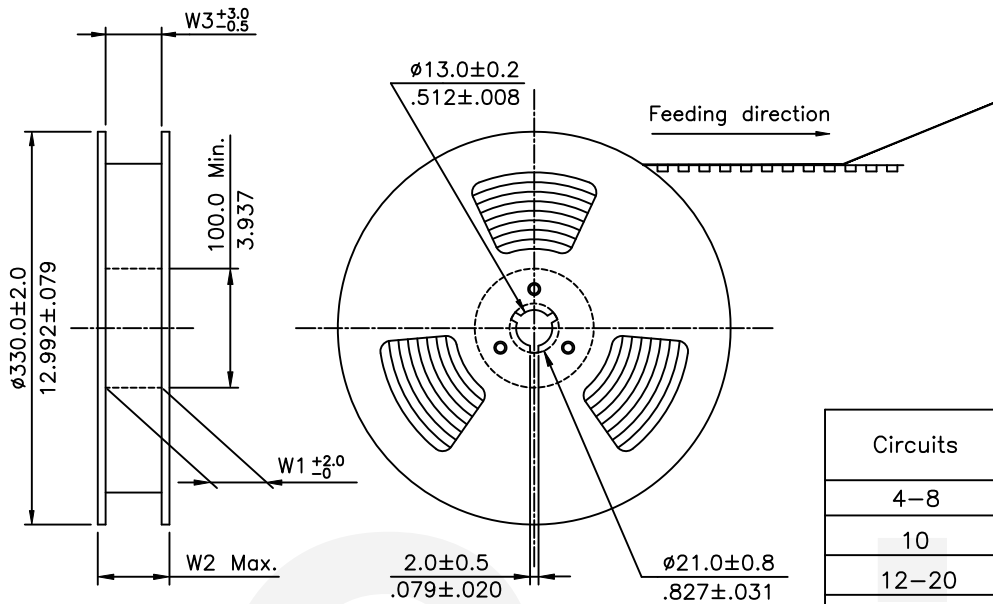
CVILUX
2021.12.30
ISSUED

Halogen-Free

Lead Free Process

RoHS Compliant

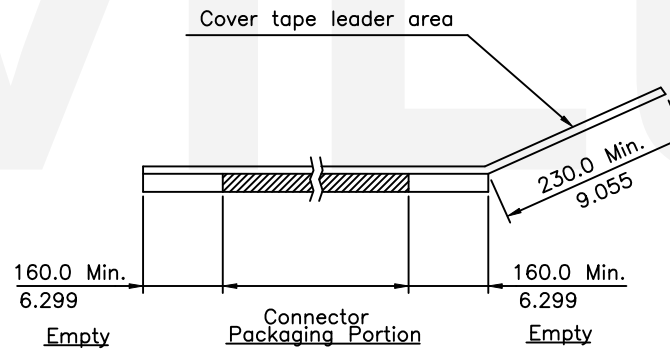
5	Sun	12/23-21'	ECNT121317		DATE	UNIT: mm / inch	TITLE: 1.27mm Pitch SMT Type Connector	 瀚荃股份有限公司 CviLux Corporation	DRAWING NO. CA3501SF	PART NO. CA35**M10**-NH
4	Karen	8/17-20'	ECNT120216/ECRB120032	DRAWN BY: Sun	12/23-21'	TOLERANCE UNLESS OTHERWISE SPECIFIED	MATERIAL:			
3	Enya	11/8-13'	ECNT113112/ECRT113034	ENGINEER: Sun	12/23-21'	.X ± 0.30/.012 X' ± 1'	FINISH:	SCALE 4 / 1	SHEET 3 OF 5	
2	Enya	11/19-12'	ECN12290-0/ECR12086-1	CHECKED BY: Eisley	12/24-21'	.XX ± 0.20/.008 .X' ±				
SYM	NAME	DATE	REVISIONS	APPROVED BY: Eisley	12/24-21'	.XXX ± 0.10/.004 .XX' ±				



NOTE :

- △ * Reel Material : Corrugated Paper
- * Carrier Material : Transparent Anti-static Polystyrene
- * Cover Tape Material : Polyester
- * Cover Tape Peel Strength : 0.1N – 1.3N
- * Carrier camber is within 1mm in 100mm
- * Packing length per 22" reel : 24.6 Meters
- * Quantity : 600 PCS/Reel

Circuits	Dimension					Packing (Reel/Carton)
	E	F	W1	W2	W3	
4-8	24.0(.945)	-	24.5(.965)	30.5(1.201)	24.5(.965)	9
10	32.0(1.260)	28.40(1.118)	32.5(1.280)	38.5(1.516)	32.5(1.280)	7
12-20	44.0(1.732)	40.40(1.591)	44.5(1.752)	50.5(1.988)	44.5(1.752)	5
22-26	56.0(2.205)	52.40(2.063)	56.5(2.224)	62.5(2.461)	56.5(2.224)	3



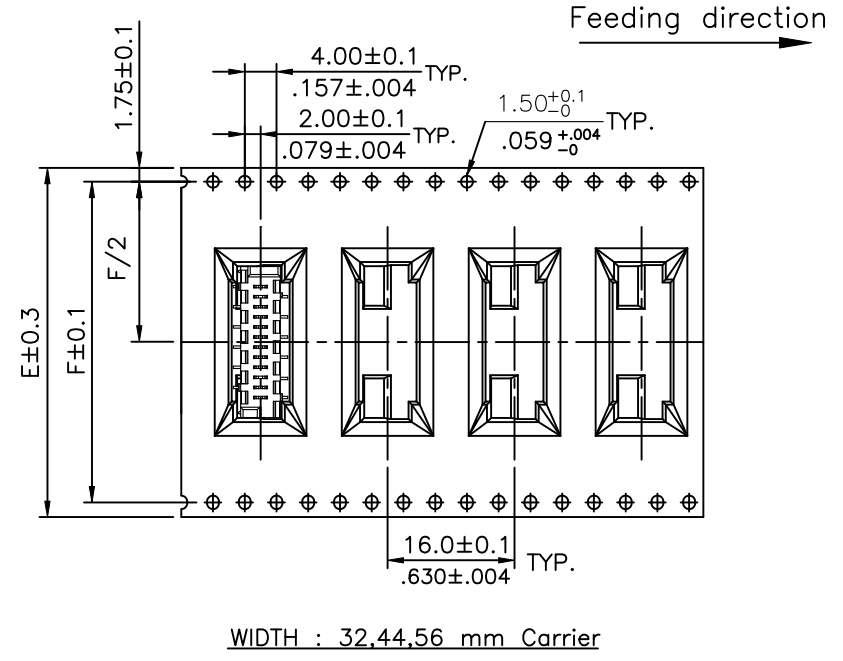
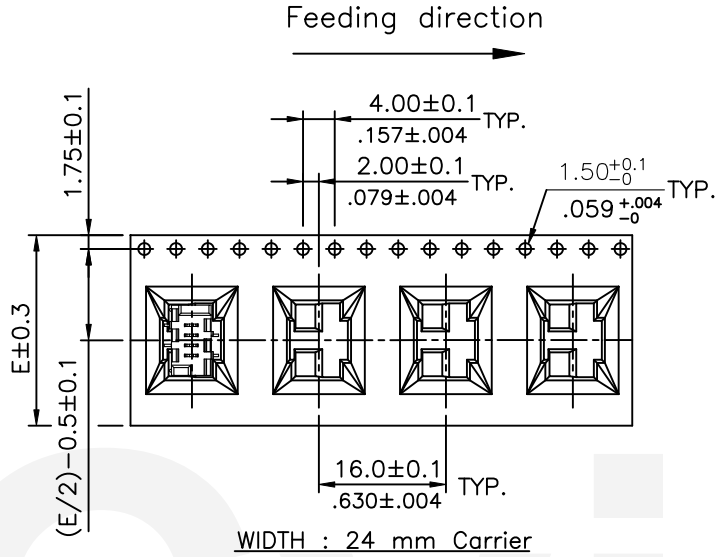
CVILUX
 2021.12.30
 ISSUED

RoHS Compliant

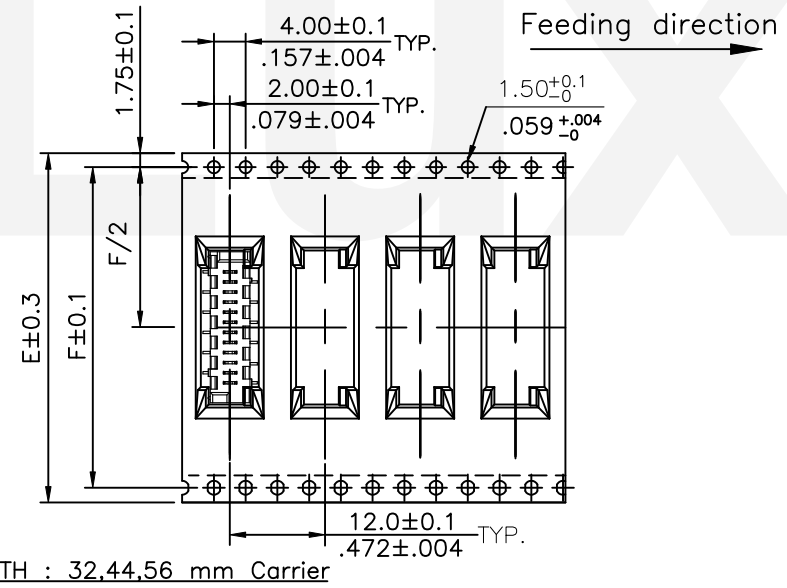
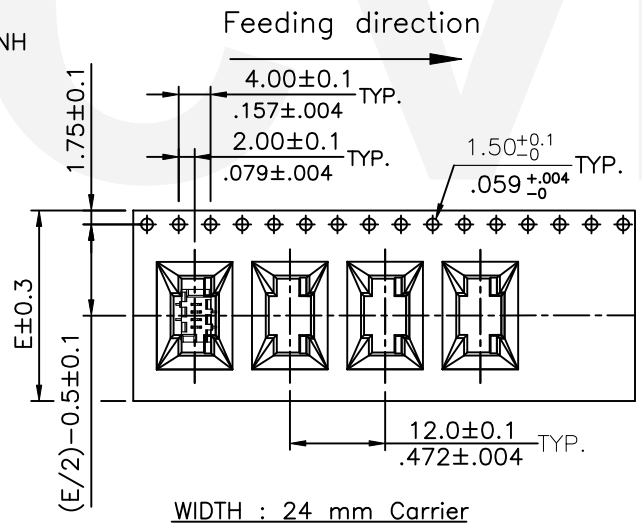
SYM	NAME	DATE	REVISIONS	APPROVED BY:	Eisley	12/24-21'	UNIT: mm / inch	TITLE: 1.27mm Pitch SMT Type Connector	MATERIAL:	FINISH:	DRAWING NO.	CA3501SF	PART NO.	CA35**M10**-NH	SHEET	4	OF	5
5	Sun	12/23-21'	ECNT121317				DATE											
4	Karen	8/17-20'	ECNT120216/ECRB120032	DRAWN BY:	Sun	12/23-21'	TOLERANCE UNLESS OTHERWISE SPECIFIED											
3	Enya	11/8-13'	ECNT113112/ECRT113034	ENGINEER:	Sun	12/23-21'	.X ±	X' ± 1'										
2	Enya	11/19-12'	ECN12290-0/ECR12086-1	CHECKED BY:	Eisley	12/24-21'	.XX ±	.X' ±										
				APPROVED BY:	Eisley	12/24-21'	.XXX ±	.XX' ±										

瀚荃股份有限公司
 CviLux Corporation

CA35**M10RD-NH/CA35**M10RE-NH/CA35**M10RP-NH




CA35**M10RG-NH



CVIL UX
2021.12.30
ISSUED

RoHS Compliant

5	Sun	12/23-21'	ECNT121317		DATE	UNIT: mm / inch	TITLE: 1.27mm Pitch SMT Type Connector	 瀚荃股份有限公司 CviLux Corporation	DRAWING NO. CA3501SF	PART NO. CA35**M10**-NH
4	Karen	8/17-20'	ECNT120216/ECRB120032	DRAWN BY: Sun	12/23-21'	TOLERANCE UNLESS OTHERWISE SPECIFIED	MATERIAL:			
3	Enya	11/8-13'	ECNT113112/ECRT113034	ENGINEER: Sun	12/23-21'	.X ±	.X' ± 1'	FINISH:	SCALE 4 / 1	SHEET 5 OF 5
2	Enya	11/19-12'	ECN12290-0/ECR12086-1	CHECKED BY: Eisley	12/24-21'	.XX ±	.X' ±			
SYM	NAME	DATE	REVISIONS	APPROVED BY: Eisley	12/24-21'	.XXX ±	.XX' ±			