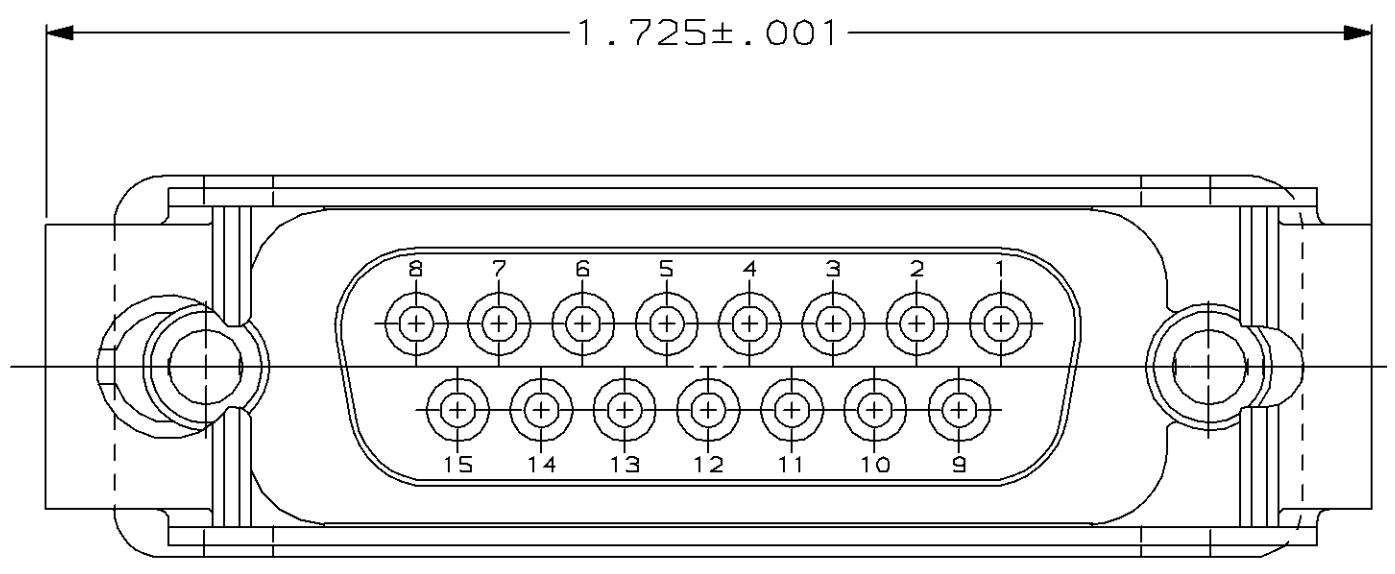


THIS DRAWING IS UNPUBLISHED. RELEASED FOR PUBLICATION ,19 .
 © COPYRIGHT 19 BY AMP INCORPORATED. ALL INTERNATIONAL RIGHTS RESERVED.

LOC	DIST	P	F	ZONE	LTR	DESCRIPTION	DATE	APPD
BD	48				0	RELEASED	-	-
					A	REVISED PER ECN BD3390	12-11-89	-
					B	REV PER EC 0020-972-93	07/27/93	SB



SLIDELATCH
 MATL: STAINLESS STEEL
 QTY: 1

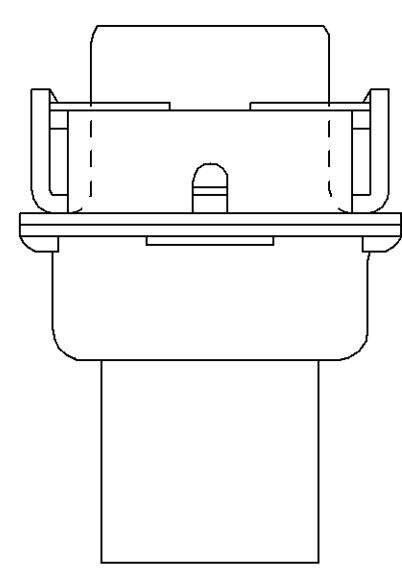
.160 ± .010

EYELET
 MTL: BRASS
 FINISH: BRIGHT TIN
 QTY: 2

MATING FACE

RECEPTACLE CONNECTOR
 P/N: 205205-2
 QTY: 1

AMP, 205205-2 & DATE CODE, MARKED
 IN AREA INDICATED, ON FAR SIDE



748507-1

PART NO

DO NOT SCALE PRINT. UNLESS SPECIFIED DIMENSIONS IN INCHES TOLERANCES ON : 2 PLC DEC ± - 3 PLC DEC ± - ANGLES ± -	DR 10-29-87 L.SIPE	AMP INCORPORATED Harrisburg, Pa. 17105	
	CHK 11-2-87 C.RICHARD		
MATERIAL SEE CALLOUTS	APPD 11-4-87 S.SCHIEFERLY	NAME RECEPTACLE ASSEMBLY, SIZE 2, 15 POSN, W/ SLIDELATCH, AMPLIMITE® HDP-20	
	APPD 1-29-88 V.KUMAR	PRODUCT SPEC -	
FINISH SEE CALLOUTS	APPLICATION SPEC -	SIZE C	FSCM NO 00779
	WEIGHT -	SCALE 4:1	DRAWING NO 748507
		SHEET	1 OF 1