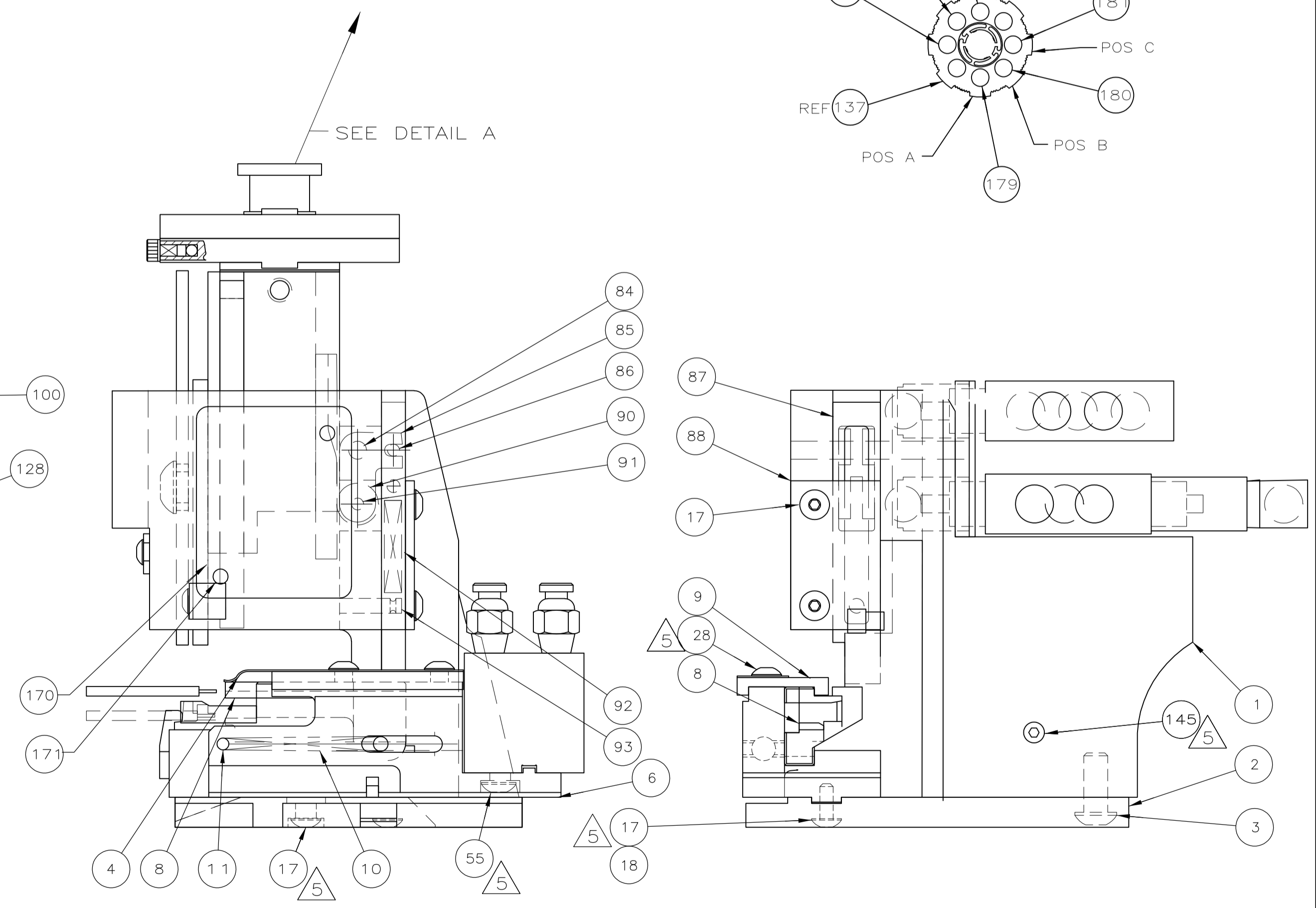
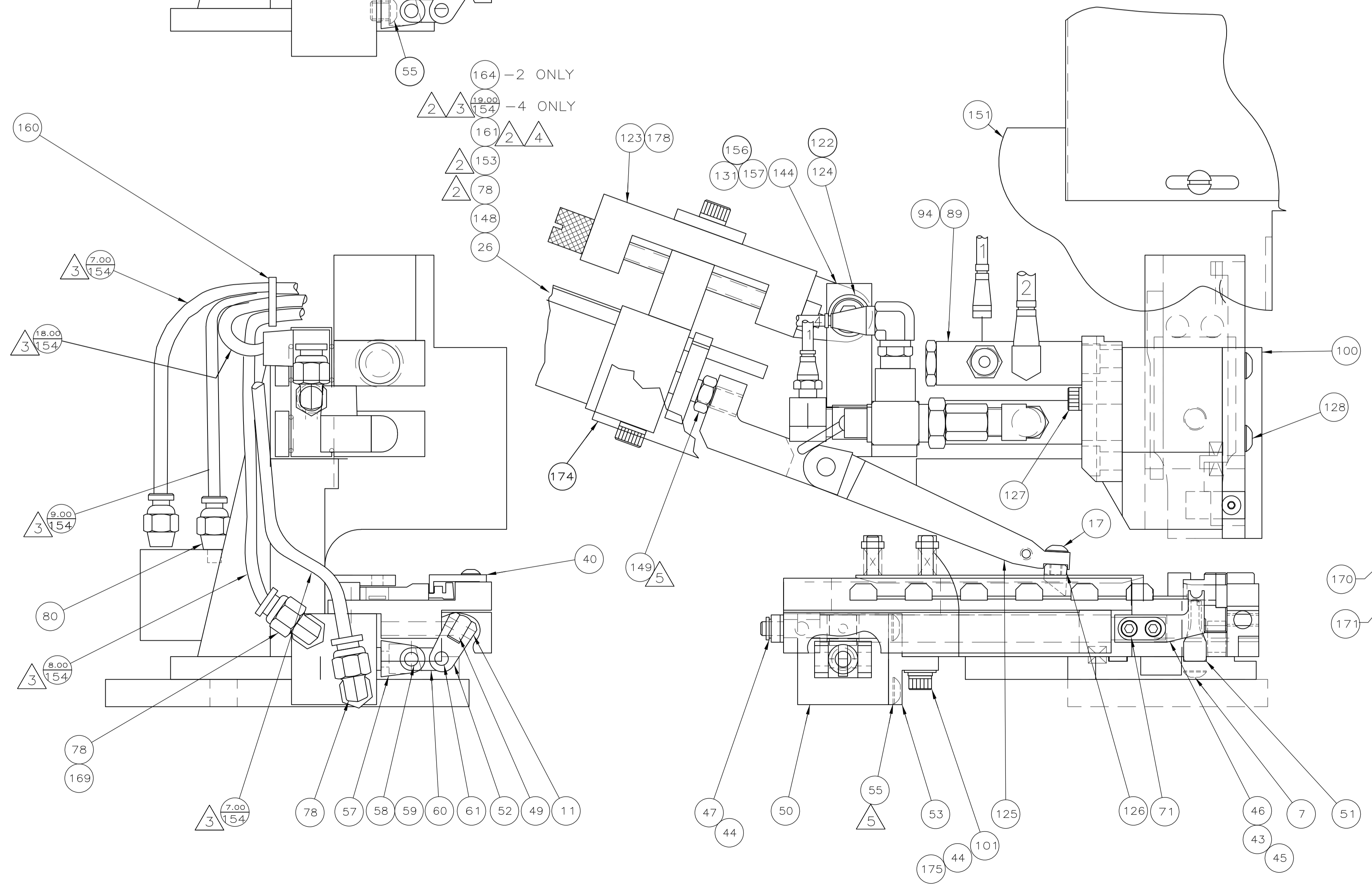
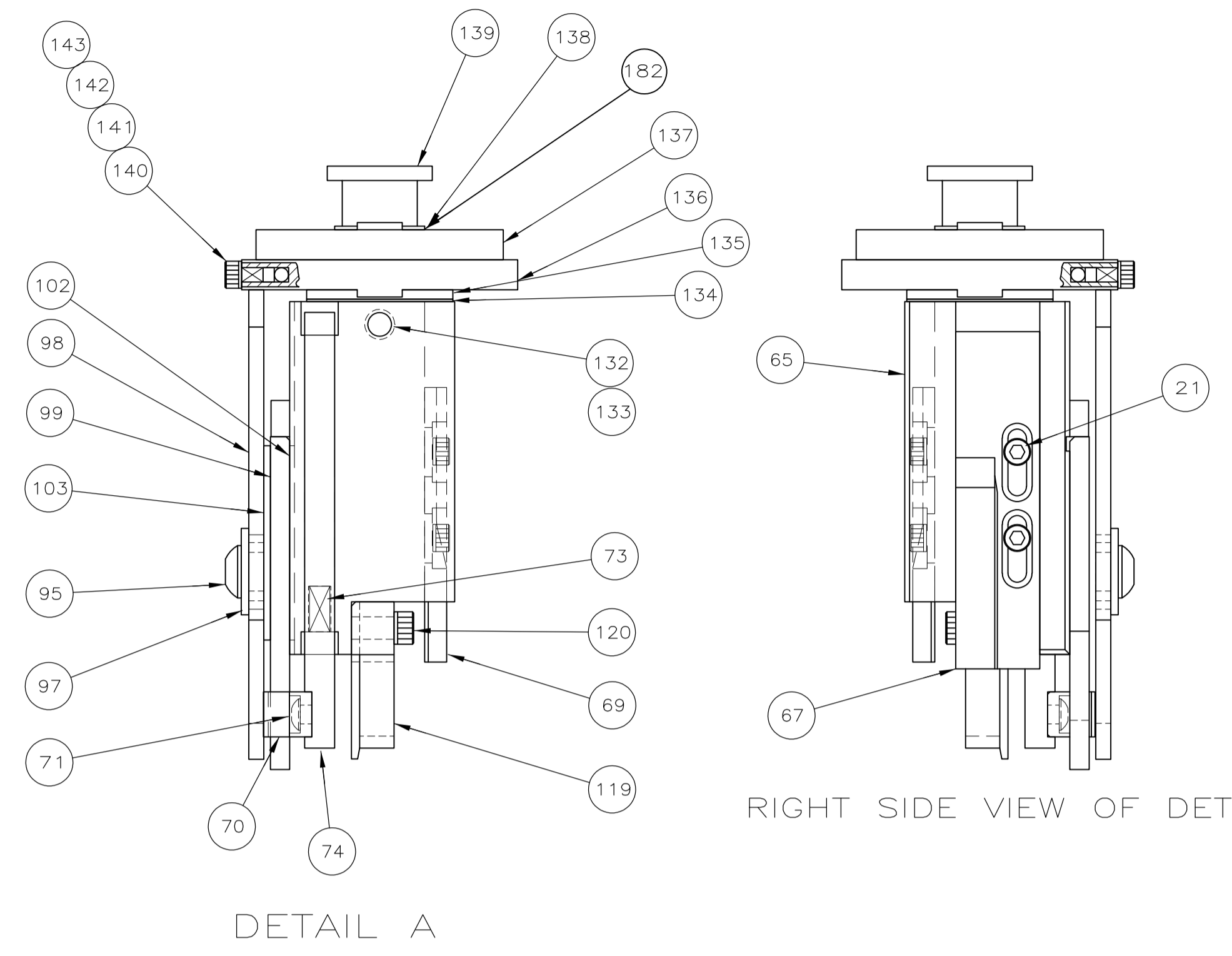
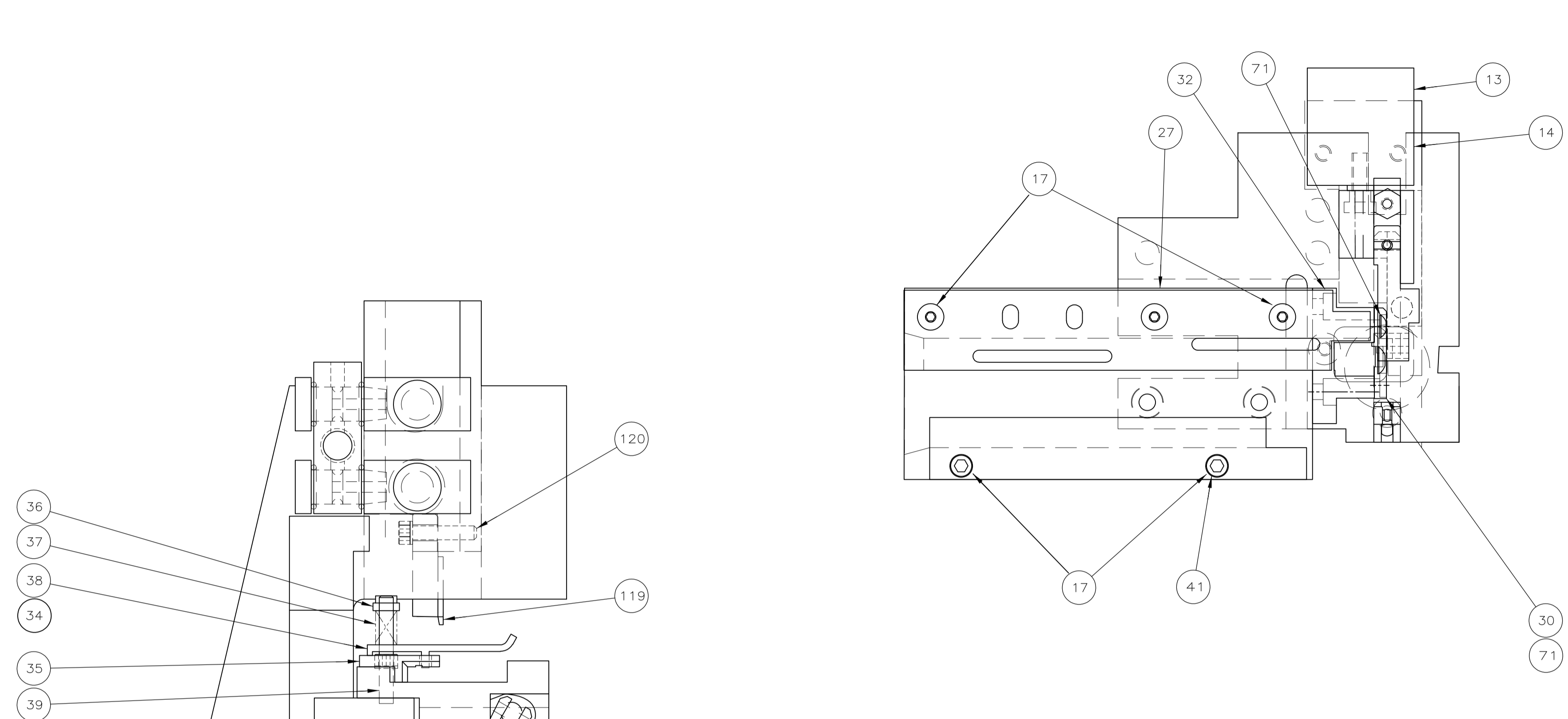




THIS DRAWING IS UNPUBLISHED. RELEASED FOR PUBLICATION.  
 COPYRIGHT © BY TYCO ELECTRONICS CORPORATION. ALL RIGHTS RESERVED.

REVISONS		DATE	DMN	APVD
A	66			
F	LTR	DESCRIPTION		
SEE SHEET 1				



THIS DRAWING IS A CONTROLLED DOCUMENT.		DIN	R	O WILSON	4-2-90	Tyco Electronics Corporation Harrisburg, PA 17105-3608	
		CHK	L	KENSINGER	4/22/90	NAME ULTRA-POD APPLICATOR, .187 STRAIGHT	
DIMENSIONS: INCHES		TOLERANCES UNLESS OTHERWISE SPECIFIED:		APVD B WOLFF		PRODUCT SPEC	
		0. PLC ± .001				APPLICATION SPEC	
		1. PLC ± .002				SIZE	
		2. PLC ± .003				CASE CODE	
		3. PLC ± .004				DRAWING NO.	
		4. PLC ± .005				RESTRICTED TO	
		ANGLES ± .5°				A1 00779	
MATERIAL	FINISH	WEIGHT	SCALE	1:1	SHEET	2	REV. AC
		CUSTOMER DRAWING	SCALE	1:1	SHEET	2	REV. AC