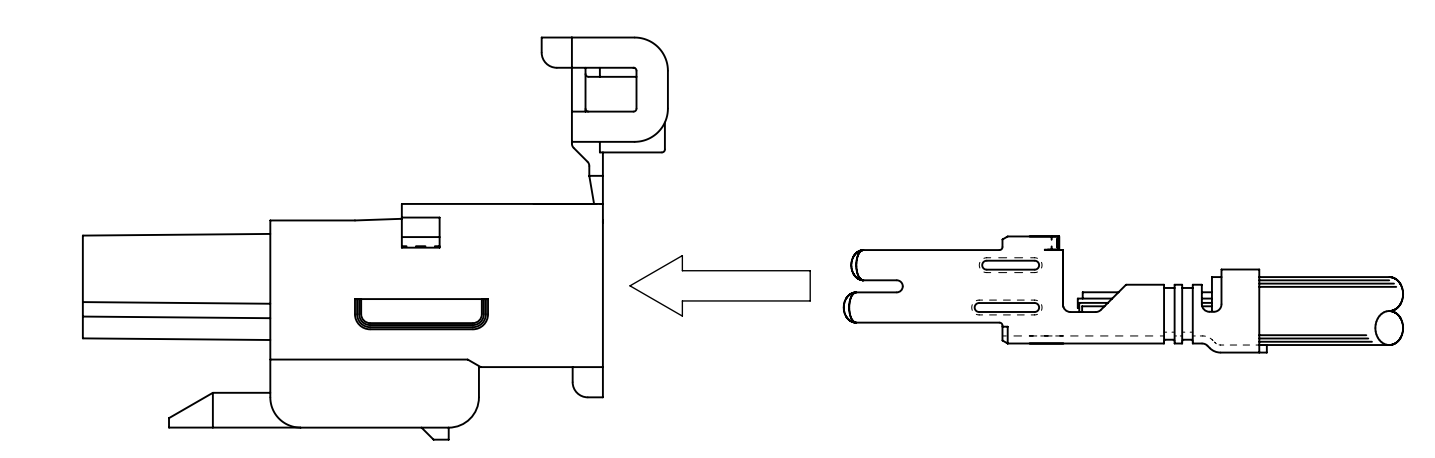
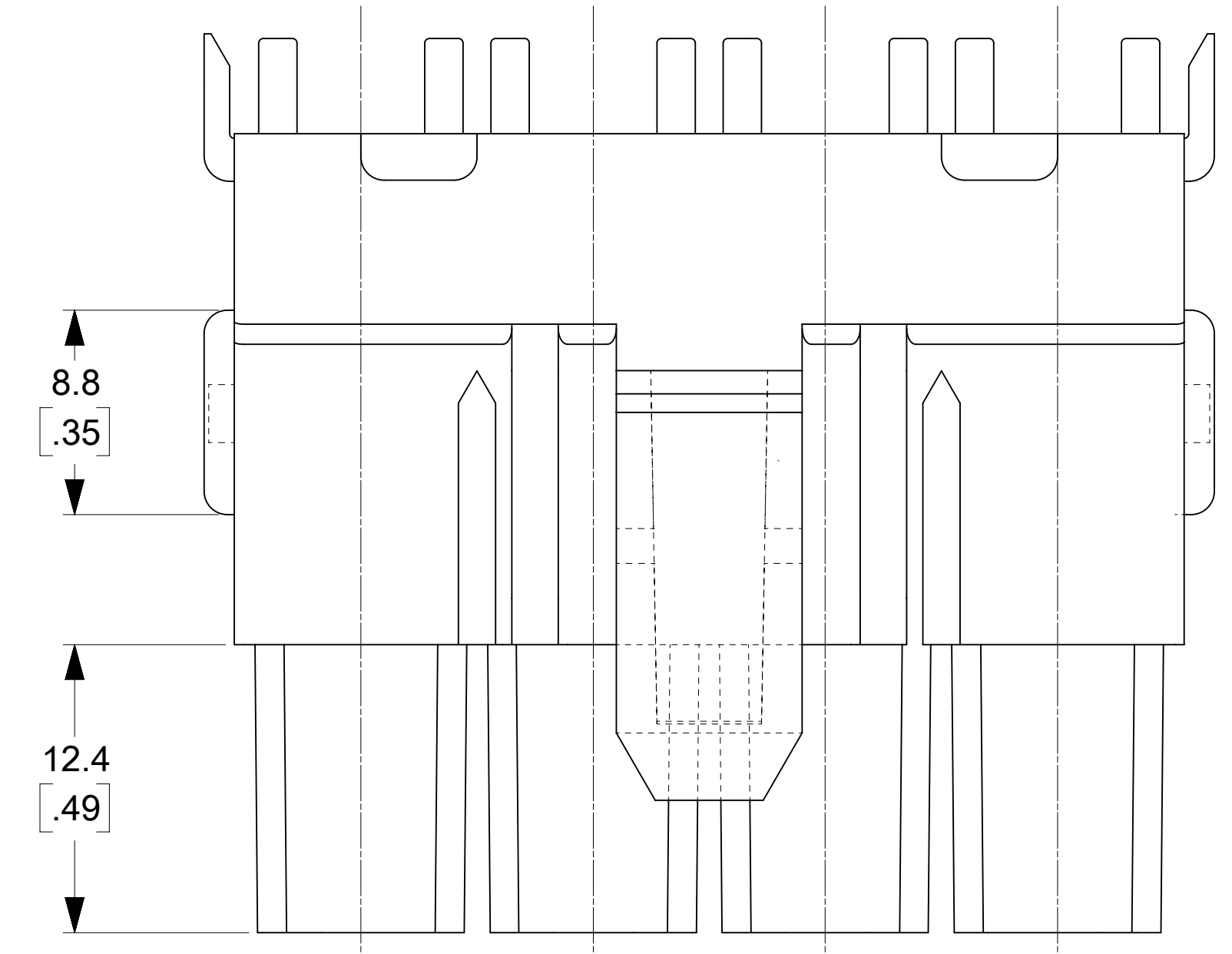
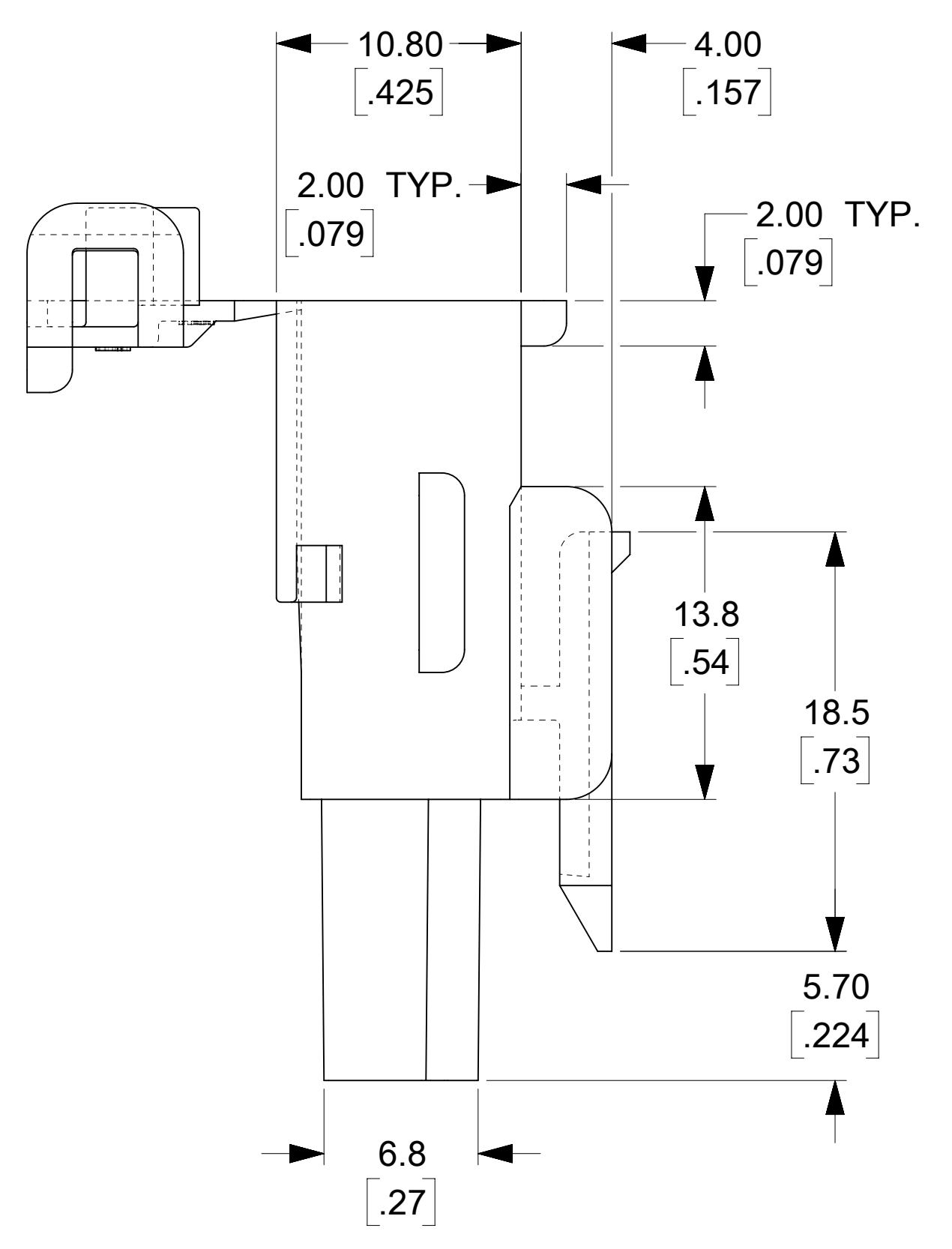
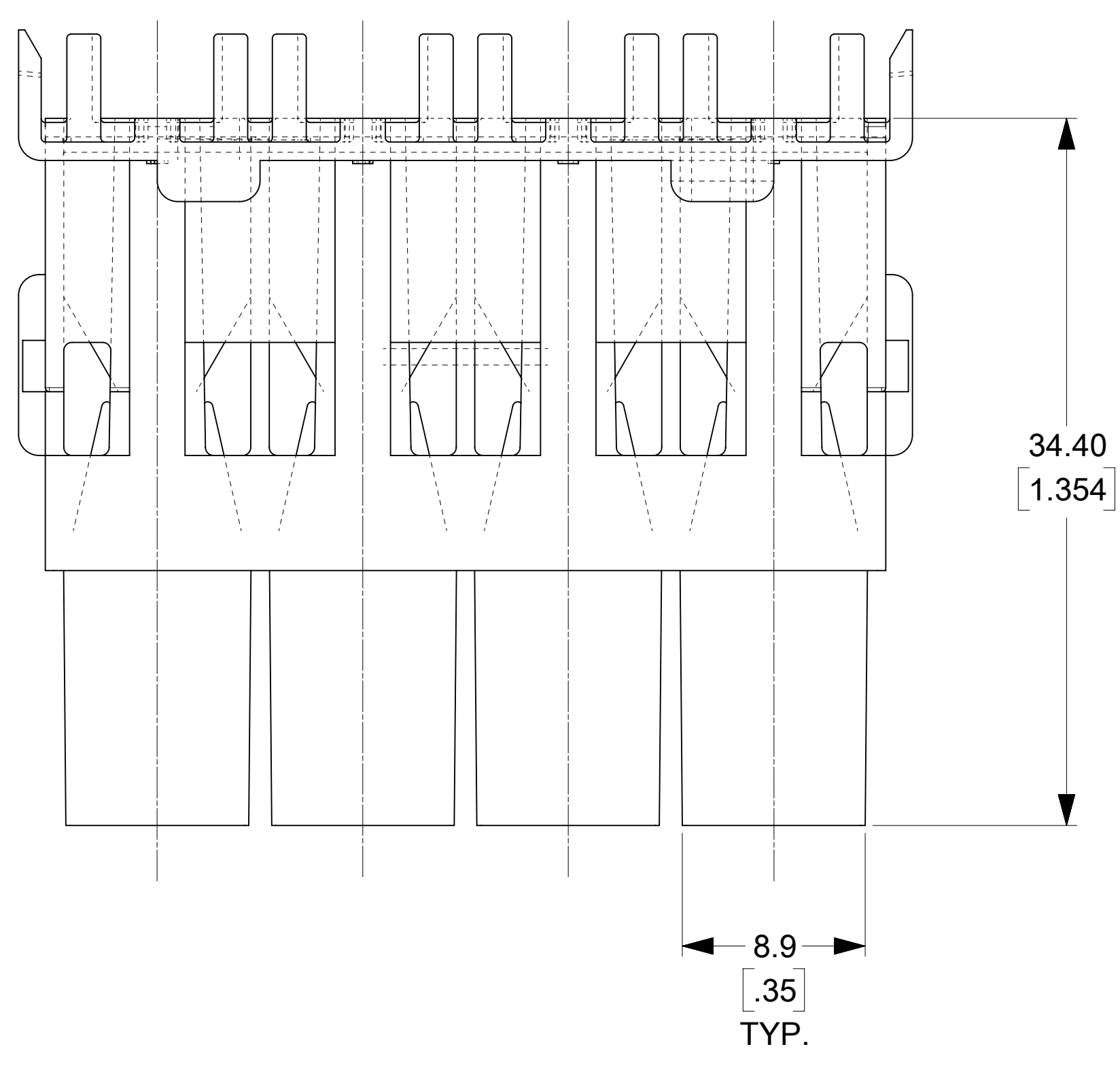
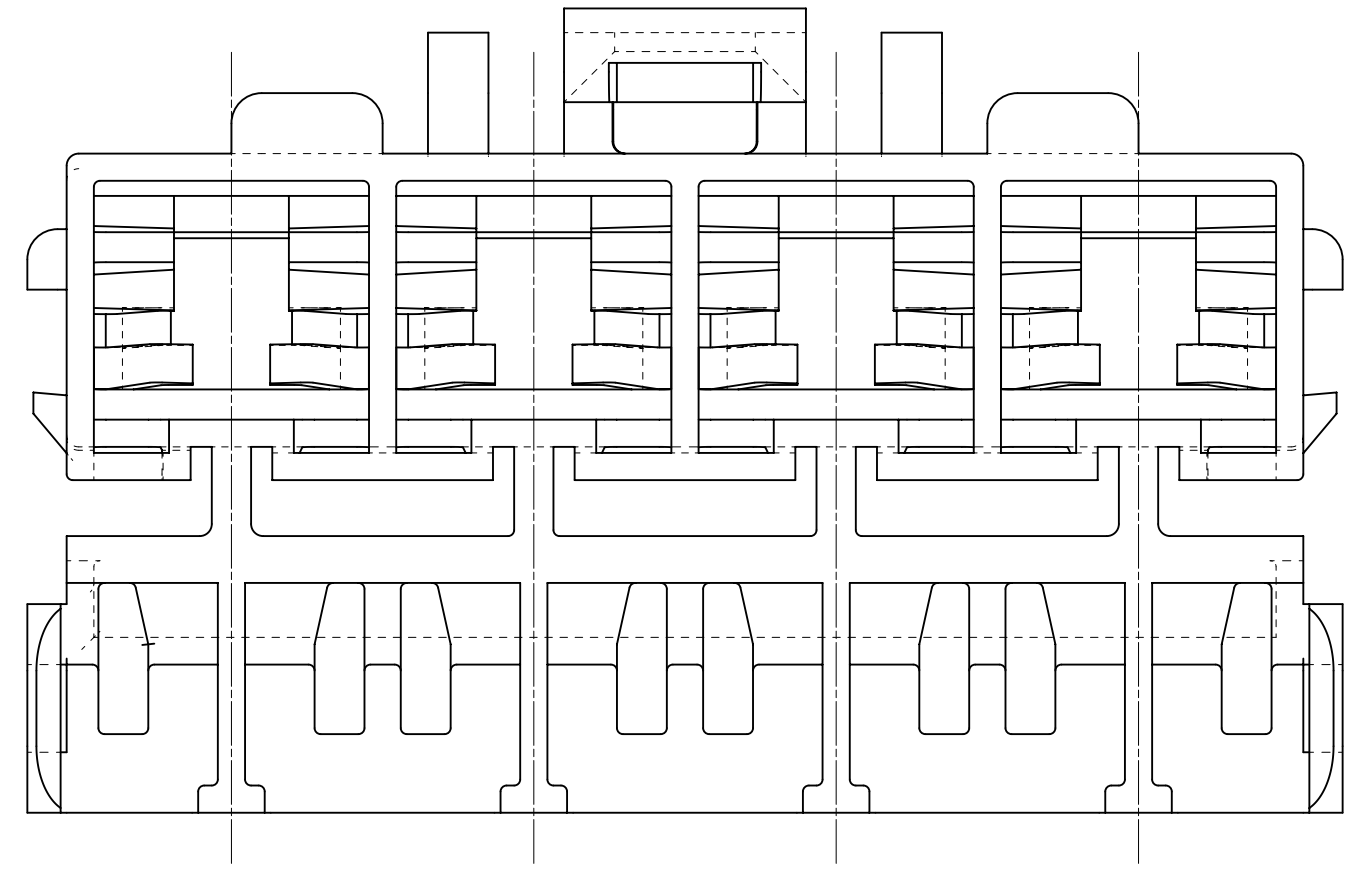
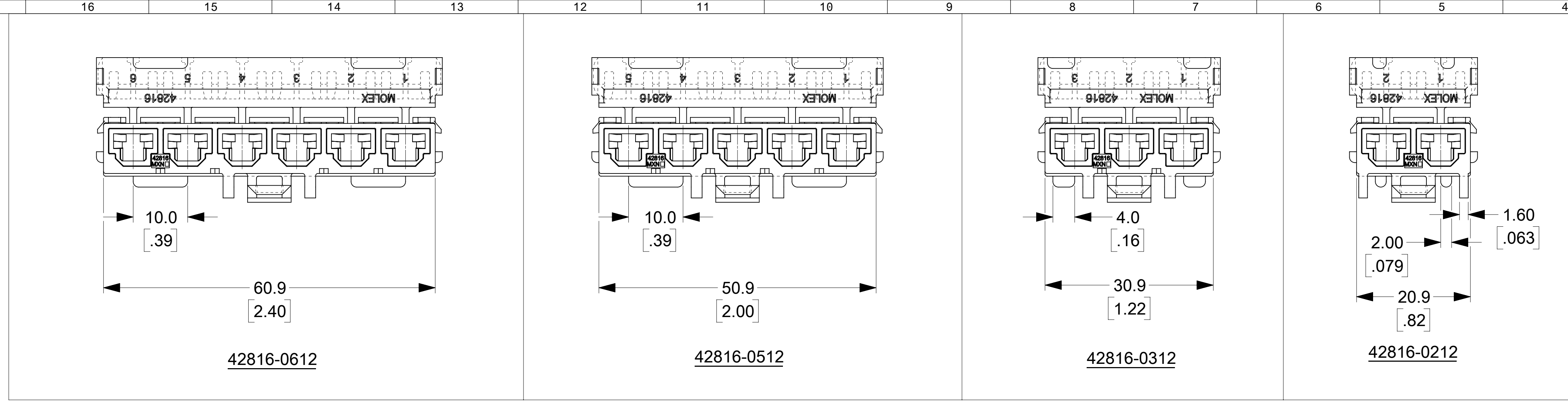
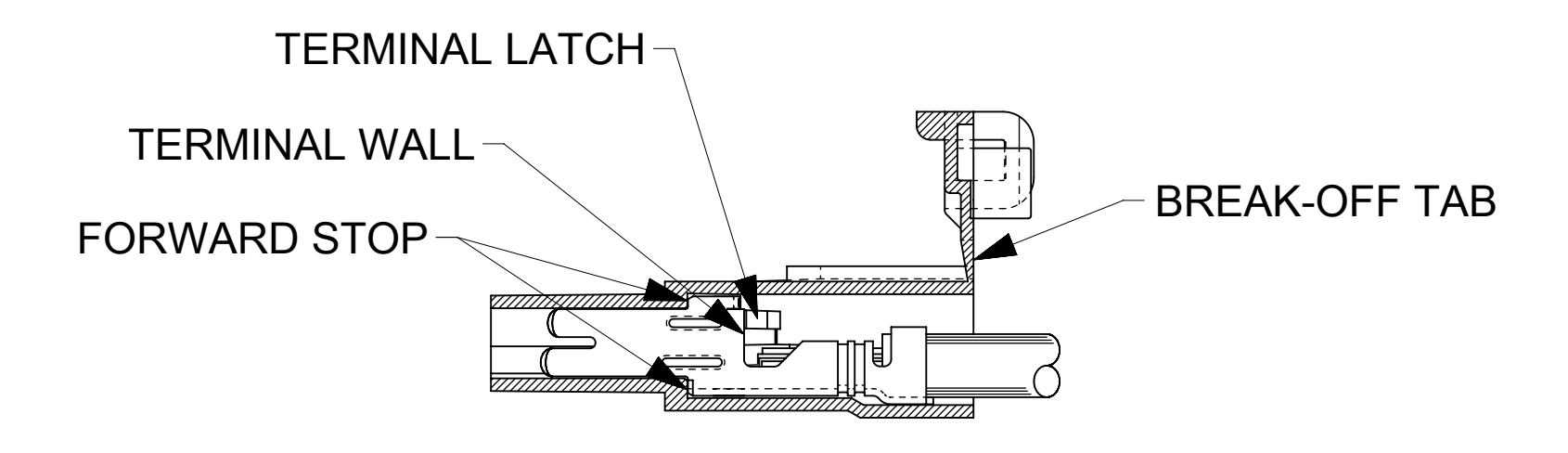


ITEM NUMBER	CIRCUIT SIZE	A
42816-0212	2	12.7
42816-0312	3	19.1
42816-0412	4	25.4
42816-0512	5	31.7
42816-0612	6	38.1

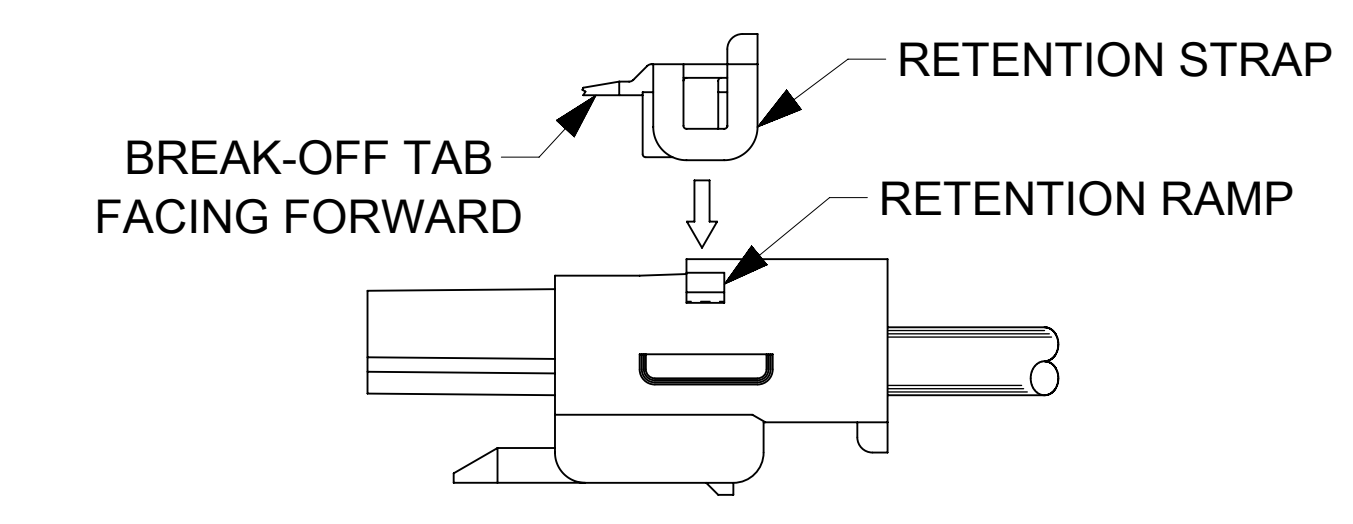
LEGEND:
 42816- ** 1 2
 CIRCUIT SIZE (02-06)
 T.P.A. OPTION
 2 = WITH T.P.A.



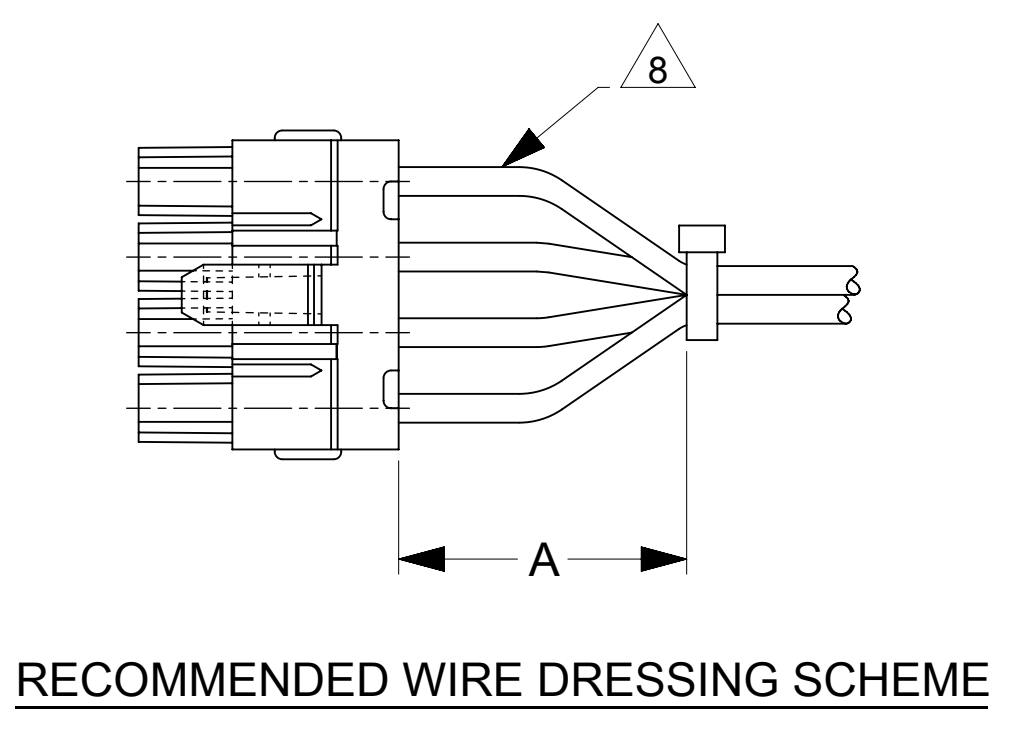
1. TERMINALS ARE TO BE ORIENTATED AND LOADED INTO HOUSING AS SHOWN.



2. TERMINALS ARE LOADED WHEN SEATED AGAINST FORWARD STOP AND TERMINAL LATCHED ARE SNAPPED BEHIND TERMINAL WALLS. RETENTION FORCE AT THIS STAGE = 0.5 Kg.

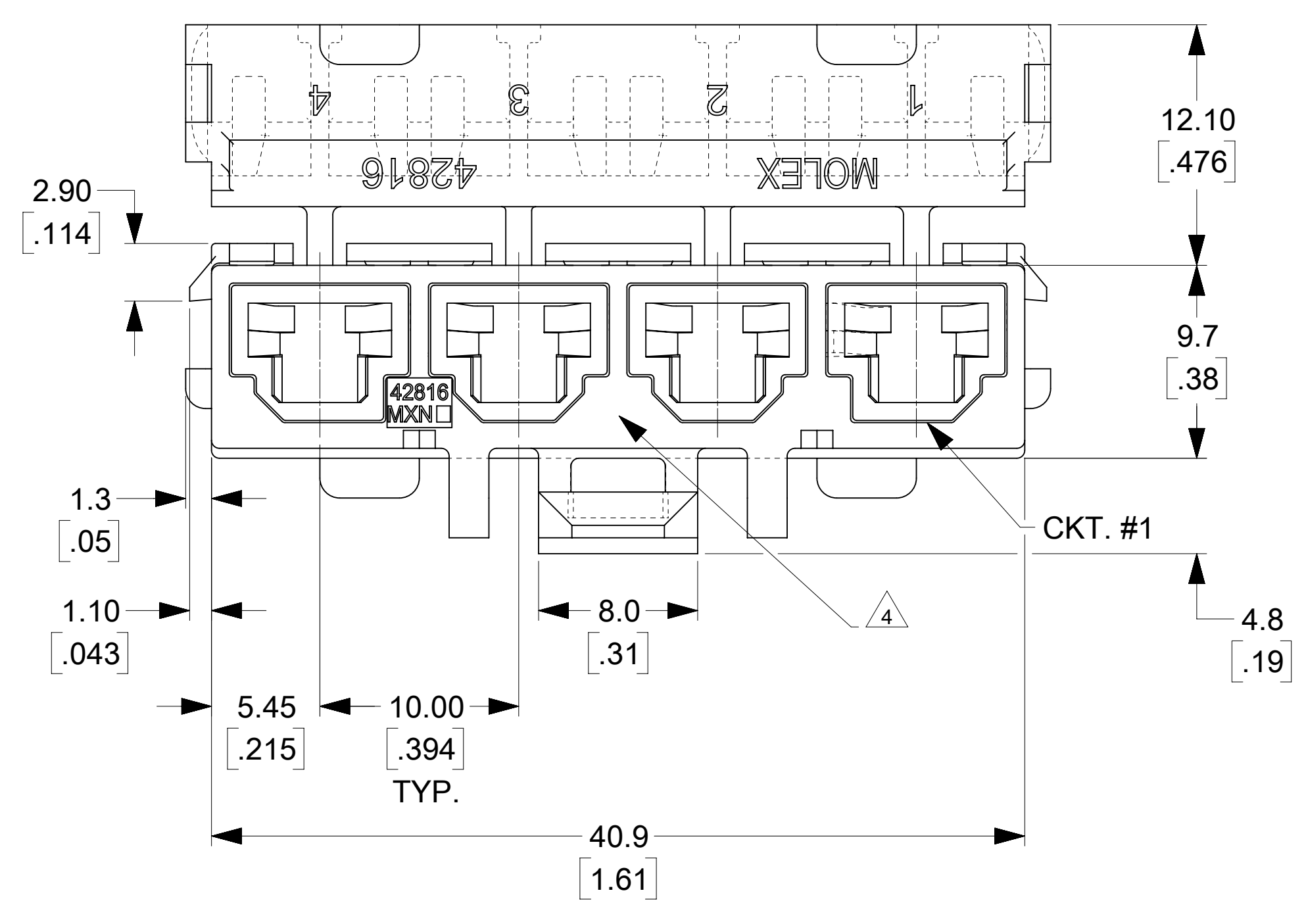
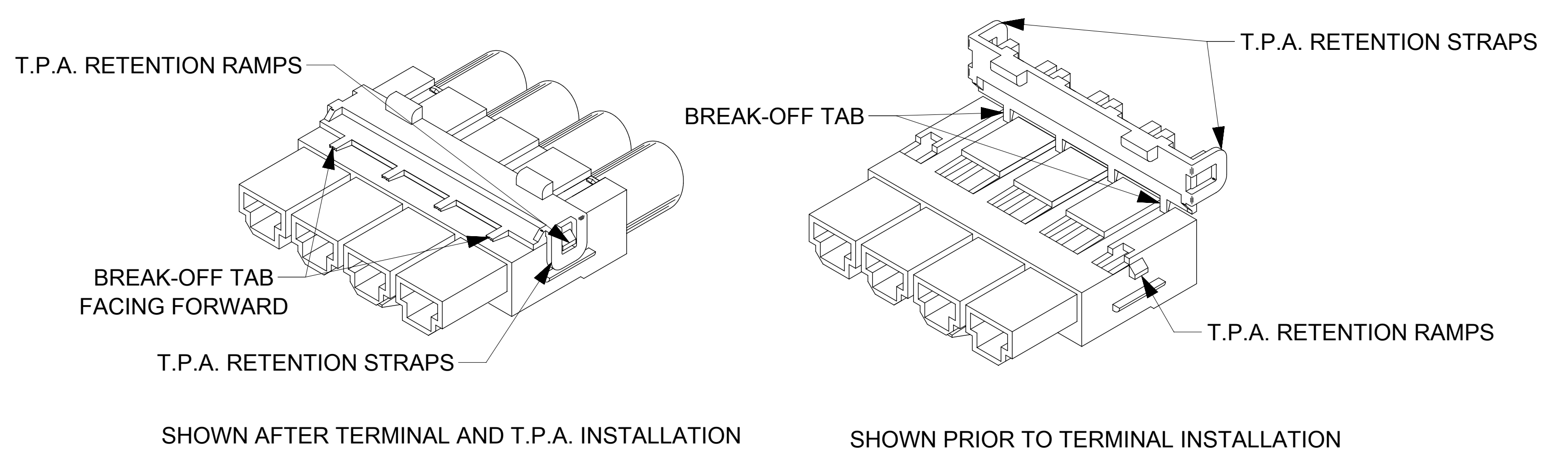


3. AFTER TERMINALS ARE LOADED INTO HOUSING, T.P.A. IS TO BE "BROKEN OFF", ORIENTATED AND INSTALLED IN THE DIRECTION SHOWN UNTIL THE RETENTION STRAPS SNAP OVER THE RETENTION RAMPS. THIS PRODUCT MUST NEVER BE USED WITHOUT THE INSTALLATION OF THE T.P.A.



*** THIS PRODUCT MUST NEVER BE USED WITHOUT THE T.P.A ***

- NOTES:
- MATERIAL:
1 = POLYESTER, PBT, U.L. 94V-0, COLOR: MOLDED BLACK.
 - PART IS FOR USE WITH FEMALE CRIMP TERMINAL #42815.
 - PART IS DESIGNED IN METRIC.
 - NO CORE-OUTS UNDER LATCH ON 2, 4 & 6 CIRCUIT PARTS.
 - PART MATES WITH MINI-FIT SR. PLUG 42818-***2.
 - ITEM NUMBERS THAT ARE PRECEDED BY AN "X" ARE NOT AVAILABLE.
 - DUE TO THE BREAKAWAY DESIGN OF THE T.P.A. COVER, A FEW MAY HAVE PREMATURELY SEPARATED FROM THEIR HOUSINGS DURING SHIPMENT. IF A HOUSING IS MISSING A T.P.A. COVER, IT CAN BE FOUND IN THE SHIPPING CONTAINER.
 - EACH WIRE MUST BE DRESSED SUCH THAT THE TERMINAL MAINTAINS ITS FREE FLOAT WITHIN THE HOUSING. SEE CHART FOR RECOMMENDED CABLE TIE PALCEMENT.
 - FOR PACKAGING INFORMATION SEE PK-42816-002.
 - THIS DRAWING REPLACES SD-42816-***2, REV-E3.



THIS DRAWING CONTAINS INFORMATION THAT IS PROPRIETARY TO MOLEX ELECTRONIC TECHNOLOGIES, LLC AND SHOULD NOT BE USED WITHOUT WRITTEN PERMISSION		CURRENT REV DESC:		molex	
DIMENSION UNITS	SCALE	EC NO: 635046			
MM/IN	4:1	DRWN: PKH		MINIFIT SR RECEPTACLE HOUSING W/TPA 10MM CENTERS	
GENERAL TOLERANCES (UNLESS SPECIFIED)		2020/03/31		PRODUCT CUSTOMER DRAWING	
4 PLACES	±	2020/03/31		DOCUMENT NUMBER	
3 PLACES	±	2020/03/31		428160002-SD	
2 PLACES	± 0.25 ± 0.016	2020/03/31		DOC TYPE	
1 PLACE	± 0.4 ±	2010/06/16		PSD	
0 PLACES	±	2010/06/29		000	
ANGULAR TOL	± 0.5 °	INITIAL REVISION:		REVISION	
DRAFT WHERE APPLICABLE MUST REMAIN WITHIN DIMENSIONS		DRWN: AELHAG		B1	
THIRD ANGLE PROJECTION		APPR: FSMITH		MATERIAL NUMBER	
E-SIZE		SERIES		CUSTOMER	
42816		DRAWING		GENERAL MARKET	
SEE CHART		DRAWING		SHEET NUMBER	
GENERAL MARKET		42816		1 OF 1	

