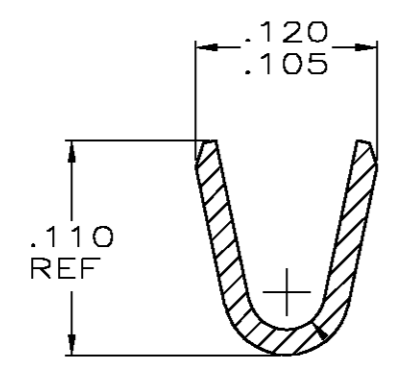
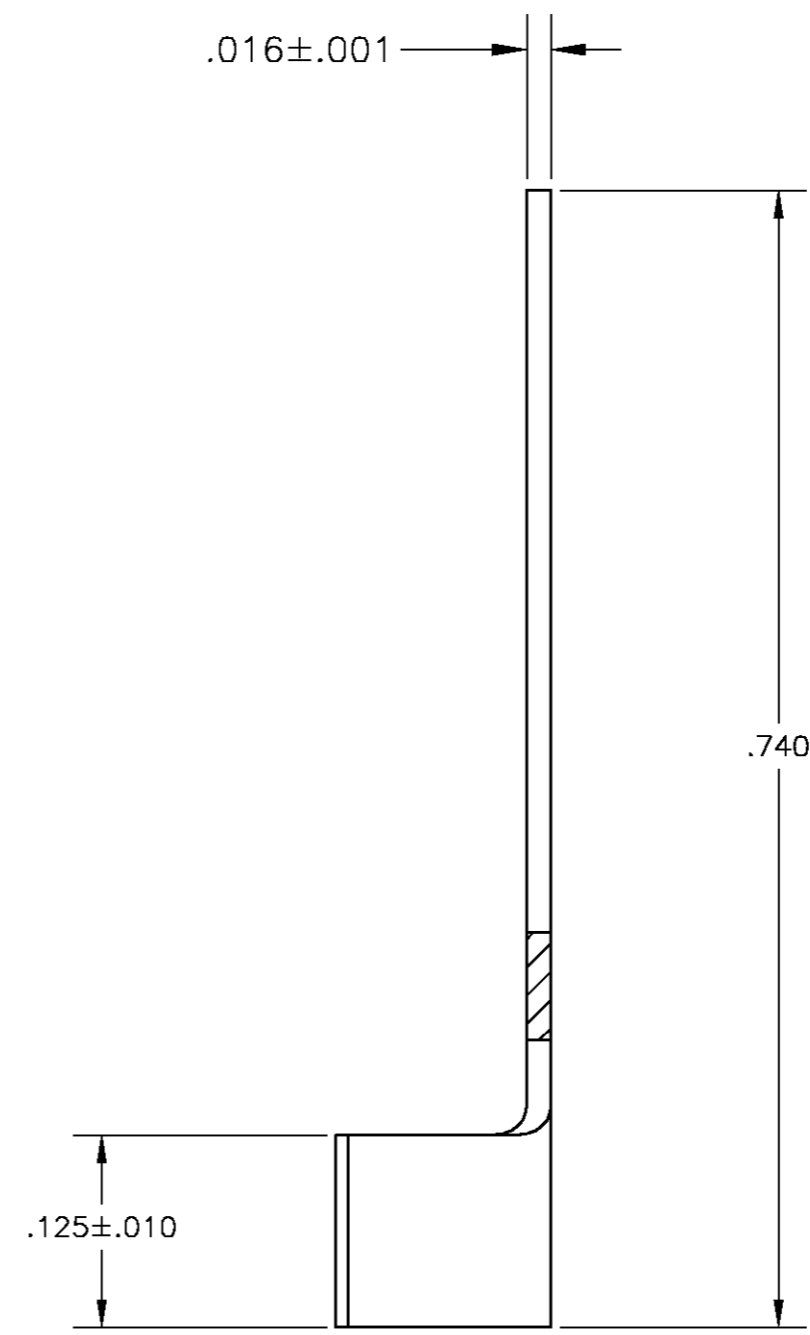
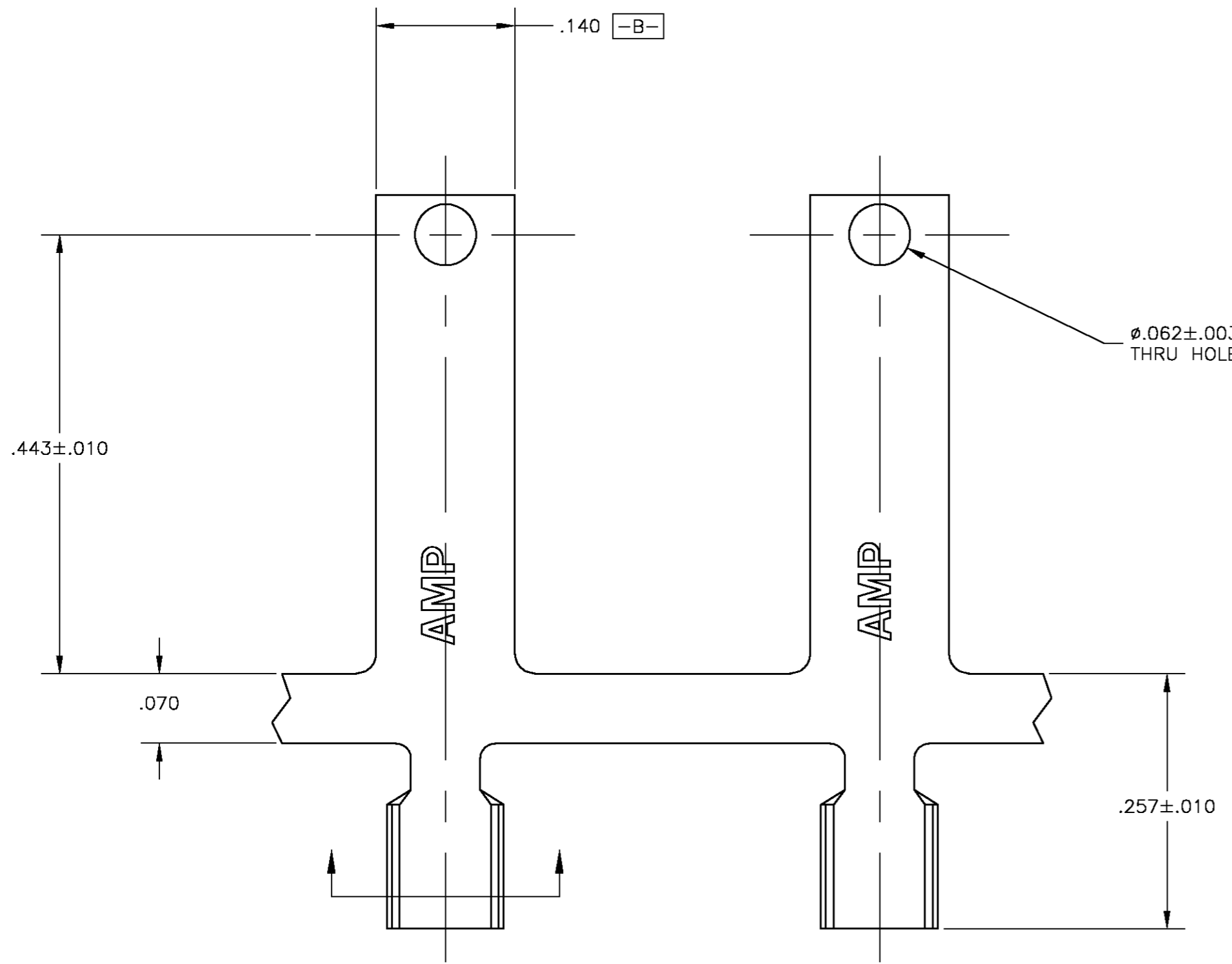


THIS DRAWING IS UNPUBLISHED. RELEASED FOR PUBLICATION  
 © COPYRIGHT BY TYCO ELECTRONICS CORPORATION. ALL RIGHTS RESERVED.

LOC	DIST	REVISIONS			
P	LTR	DESCRIPTION	DATE	DWN	APVD
AF	50	D	REVISED PER 0G3A-0167-04	22MAR04	MF GP

- ① REELING DIRECTION FOR STANDARD APPLICATOR.
- ② REELING DIRECTION FOR MINI APPLICATOR.
- 3 CONTINUOUS STRIP ON REELS.
- 4 WIRE RANGE: #22-#18 AWG.



REELING	FINISH	PART NUMBER
②	-	155386-3
①	TIN PLATED	155386-2
①	-	155386-1

THIS DRAWING IS A CONTROLLED DOCUMENT.		DWN MICHAEL S. FEHER 22MAR2004	Tyco Electronics Corporation Harrisburg, Pa 17105-3608	
DIMENSIONS: INCHES		CHK GARY D. PORTA 22MAR2004	NAME -	
TOLERANCES UNLESS OTHERWISE SPECIFIED: 0 PLC ± - 1 PLC ± - 2 PLC ± - 3 PLC ± .010 4 PLC ± - ANGLES ± -		APVD GARY D. PORTA 22MAR2004	PRODUCT SPEC -	
MATERIAL 4M BRASS		FINISH SEE TABLE	APPLICATION SPEC -	RESTRICTED TO -
WEIGHT -		SIZE A2	CAGE CODE 00779	DRAWING NO C=155386
CUSTOMER DRAWING		SCALE 10:1	SHEET 1 OF 1	REV D

155386