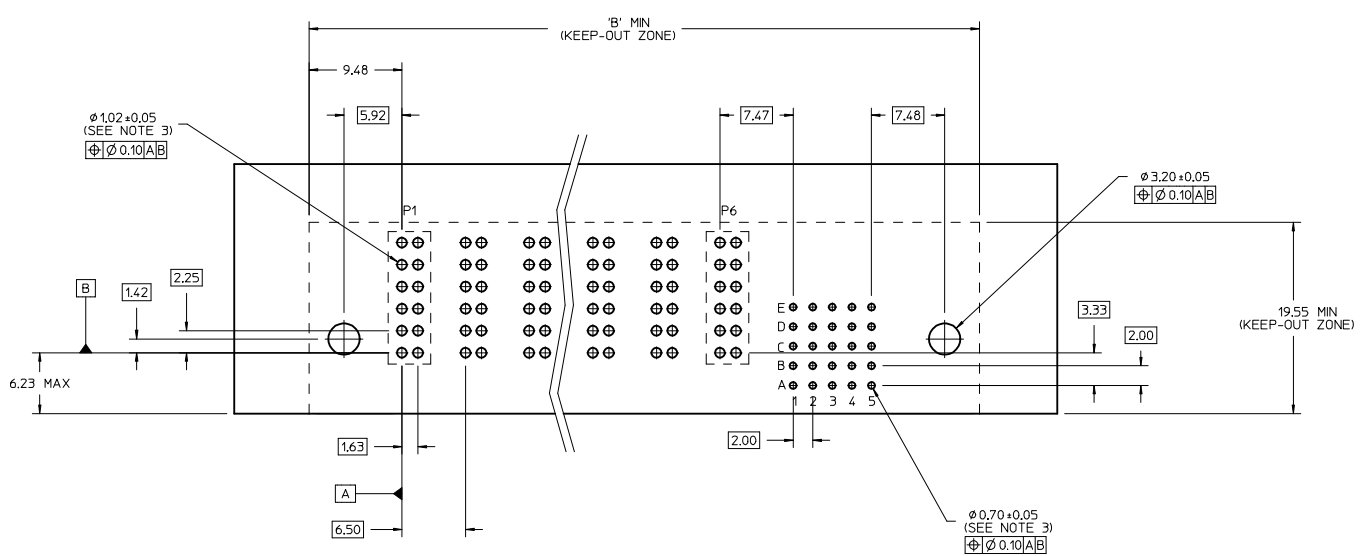


ADD PK SPEC IEC NO: UCP2017-0856 DRAWN BY: CHYKOWCHAN CHECKED BY: APPR:KHLIM DATE: 2016/10/18 DATE: 2016/11/07 DATE: 2016/11/15	QUALITY SYMBOLS	GENERAL TOLERANCES (UNLESS SPECIFIED)	DIMENSION STYLE	SCALE	DESIGN UNITS	THIRD ANGLE PROJECTION
	▽=0	mm INCH	MM ONLY	3:1	METRIC	☉
	▽=0	4 PLACES ± --- ± ---	DRAWN BY DATE	TITLE		
	▽=0	3 PLACES ± 0.13 ± ---	BPI SZCZOR 2013/06/13	R/A PLUG ASSY STANDARD LAYOUTS ENERGETIC POWER FAMILY		
	2 PLACES ± 0.25 ± ---	BPI SZCZOR 2013/06/13	molex			
	1 PLACE ± --- ± ---	APATEL 2013/12/12	DOCUMENT NO. SD-171097-0001			SHEET NO. 1 OF 2
	0 PLACE ± --- ± ---		SEE CHART			
	ANGULAR ± 1/2°	MATERIAL NO.				
	DRAFT WHERE APPLICABLE MUST REMAIN WITHIN DIMENSIONS	SIZE D				
THIS DRAWING CONTAINS INFORMATION THAT IS PROPRIETARY TO MOLEX INCORPORATED AND SHOULD NOT BE USED WITHOUT WRITTEN PERMISSION						

PART NUMBER	# OF POWERS	DIM 'A'	DIM 'B'	GUIDE OPTION	TAIL TYPE	DIM 'C'	DIM 'D'	# OF SIGNALS
171097-0001	6	67.50	68.50	BOLT HOLE	SOLDERTAIL	2.71	2.74	25
171097-0002	4	54.50	55.50					
171097-0003	2	41.50	42.50					
171097-0004	6	67.50	68.50	PEGS				
171097-0005	4	54.50	55.50					
171097-0006	2	41.50	42.50					
171097-0007	6	67.50	68.50	BOLT HOLE				
171097-0008	4	54.50	55.50					
171097-0009	2	41.50	42.50					
171097-0010	6	67.50	68.50	COMPLIANT PIN		2.71	2.40	
171097-0011	4	54.50	55.50					
171097-0012	2	41.50	42.50					

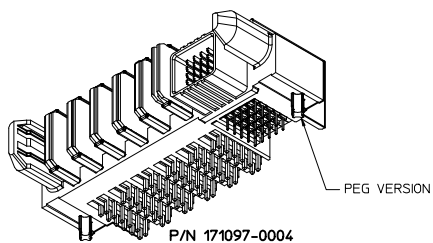
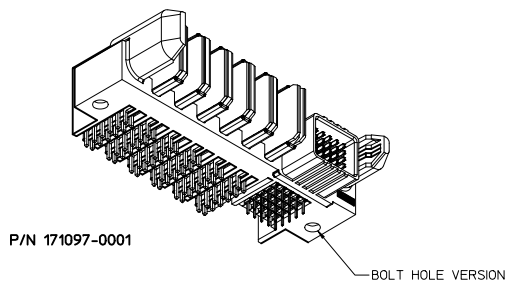
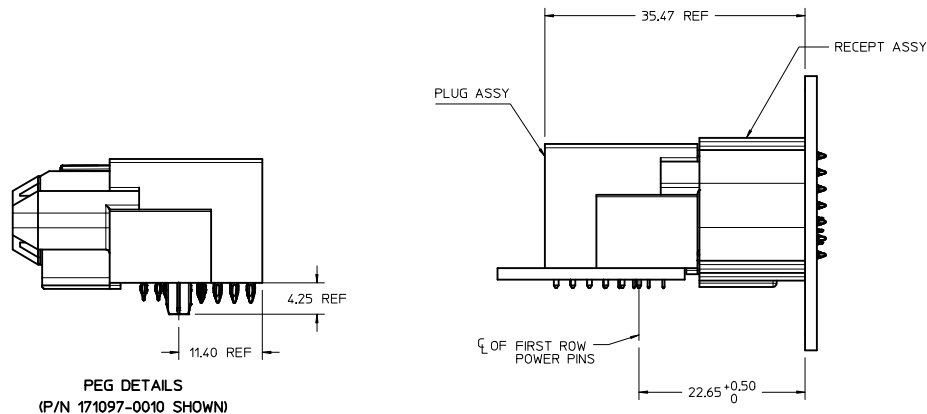
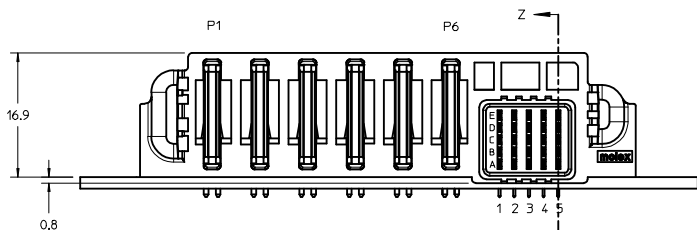
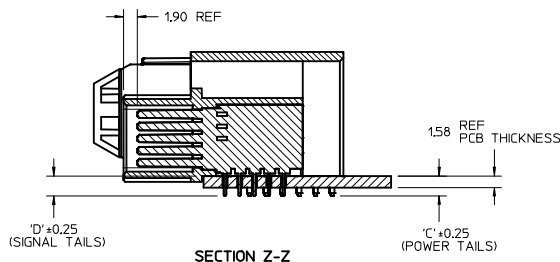
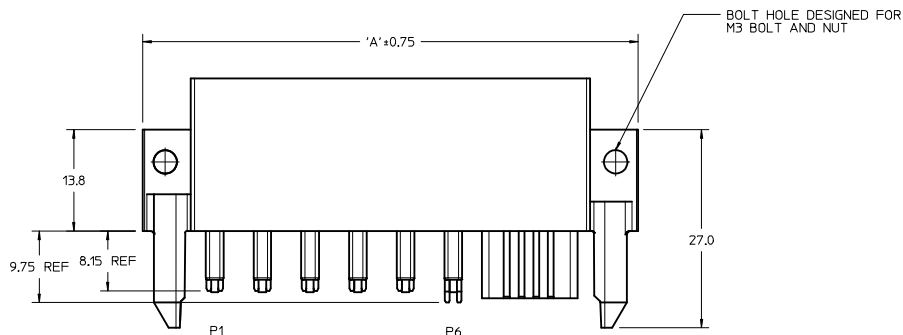
PK SPEC	# OF POWERS
PK-171097-0100	6
PK-171097-0002	4
PK-171097-0001	2



RECOMMENDED PCB LAYOUT AND KEEP-OUT ZONE
(PCB LAYOUT FOR 6P CONNECTOR SHOWN AS REFERENCE)

- NOTES:
- MATERIAL:
 - HOUSINGS: LCP UL94, V-0, COLOR : BLACK
 - TERMINALS: HIGH CONDUCTIVITY COPPER ALLOY
 - PLATING: 1.27 MICROMETER (50 MICROINCH) NICKEL OVERALL WITH 2.54 MICROMETER (100 MICROINCH) SELECTIVE TIN ON TAILS AND 0.762 MICROMETER (30 MICROINCH) SELECTIVE GOLD ON CONTACT AREA
 - PACKAGING: ASSEMBLIES TO BE TRAY PACKED PER PACKAGING SPEC; SEE TABLE
 - PLATED THRU HOLE SIZE. REFER TO PS-171097-1000 FOR DETAILS
 - PRODUCT SPEC: PS-171097-1000
 - PRODUCT TO MEET RoHS REQUIREMENTS
 - FOR MATING PARTS SEE MOLEX RECEPTACLE SD-171098-0001
 - TAIL DESIGN: SEE CHART
 - SIGNAL & POWER CONTACTS ARE LUBRICATED
 - APPLICATION SPEC: AS-171097-0001

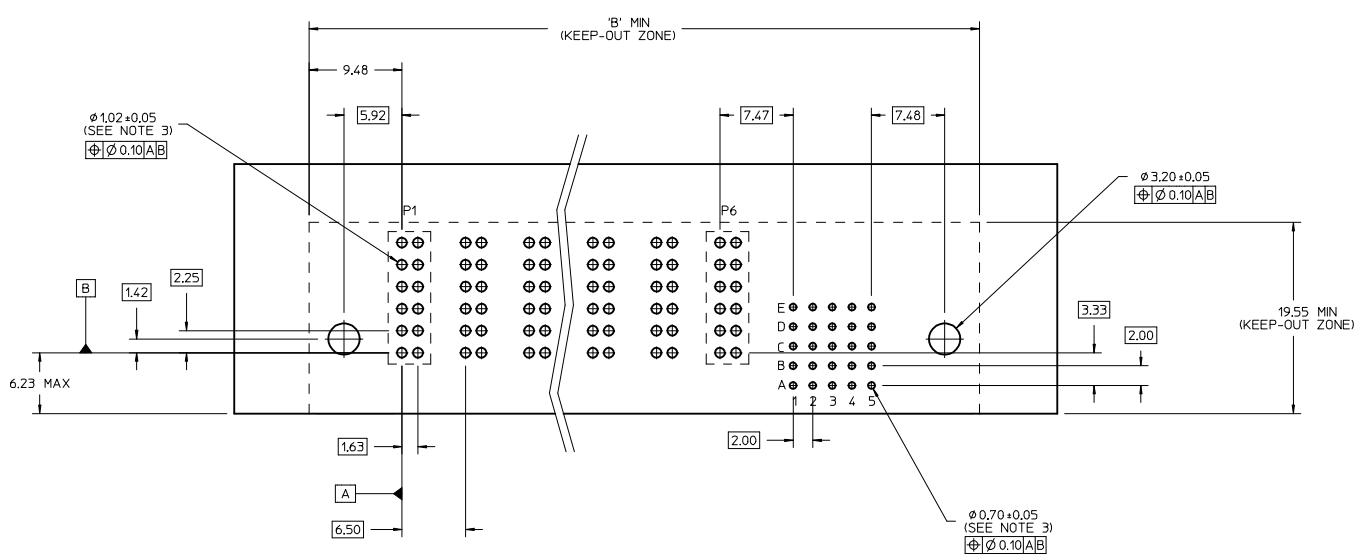
ADD PK SPEC IEC NO. UICP2017-0856 DRAWN: CGH 2016/10/18 CHECKED: MCHAN 2016/11/07 APPR: KHLIM 2016/11/15	QUALITY SYMBOLS	GENERAL TOLERANCES (UNLESS SPECIFIED)	DIMENSION STYLE	SCALE	DESIGN UNITS	THIRD ANGLE PROJECTION																																
	$\nabla=0$ $\nabla=0$ $\nabla=0$	<table border="1"> <thead> <tr> <th></th> <th>mm</th> <th>INCH</th> </tr> </thead> <tbody> <tr> <td>4 PLACES</td> <td>±---</td> <td>±---</td> </tr> <tr> <td>3 PLACES</td> <td>±---</td> <td>±---</td> </tr> <tr> <td>2 PLACES</td> <td>±0.13</td> <td>±---</td> </tr> <tr> <td>1 PLACE</td> <td>±0.25</td> <td>±---</td> </tr> <tr> <td>0 PLACE</td> <td>±---</td> <td>±---</td> </tr> </tbody> </table>		mm	INCH	4 PLACES	±---	±---	3 PLACES	±---	±---	2 PLACES	±0.13	±---	1 PLACE	±0.25	±---	0 PLACE	±---	±---	<table border="1"> <thead> <tr> <th colspan="2">MM ONLY</th> </tr> </thead> <tbody> <tr> <td>DRAWN BY</td> <td>DATE</td> </tr> <tr> <td>BPI SZCZOR</td> <td>2013/06/13</td> </tr> <tr> <td>CHECKED BY</td> <td>DATE</td> </tr> <tr> <td>BPI SZCZOR</td> <td>2013/06/13</td> </tr> <tr> <td>APPROVED BY</td> <td>DATE</td> </tr> <tr> <td>APATEL</td> <td>2013/12/12</td> </tr> </tbody> </table>	MM ONLY		DRAWN BY	DATE	BPI SZCZOR	2013/06/13	CHECKED BY	DATE	BPI SZCZOR	2013/06/13	APPROVED BY	DATE	APATEL	2013/12/12	4:1	METRIC	
		mm	INCH																																			
4 PLACES	±---	±---																																				
3 PLACES	±---	±---																																				
2 PLACES	±0.13	±---																																				
1 PLACE	±0.25	±---																																				
0 PLACE	±---	±---																																				
MM ONLY																																						
DRAWN BY	DATE																																					
BPI SZCZOR	2013/06/13																																					
CHECKED BY	DATE																																					
BPI SZCZOR	2013/06/13																																					
APPROVED BY	DATE																																					
APATEL	2013/12/12																																					
DRAFT WHERE APPLICABLE MUST REMAIN WITHIN DIMENSIONS	ANGULAR ±1/2° MATERIAL NO. SEE CHART SIZE D	TITLE R/A PLUG ASSY STANDARD LAYOUTS ENERGETIC POWER FAMILY DOCUMENT NO. SD-171097-0001 SHEET NO. 2 OF 2																																				



ADD PK SPEC IEC NO: UCP2017-0856 DRAWN BY: CHYKOWCHAN CHECKED BY: APPR:KHLIM DATE: 2016/10/18 DATE: 2016/11/07 DATE: 2016/11/15	QUALITY SYMBOLS	GENERAL TOLERANCES (UNLESS SPECIFIED)	DIMENSION STYLE	SCALE	DESIGN UNITS	THIRD ANGLE PROJECTION
	▽=0	mm INCH	MM ONLY	3:1	METRIC	☉
	▽=0	4 PLACES ± --- ± ---	DRAWN BY DATE	TITLE		
	▽=0	3 PLACES ± 0.13 ± ---	BPI SZCZOR 2013/06/13	R/A PLUG ASSY STANDARD LAYOUTS ENERGETIC POWER FAMILY		
	1 PLACE ± 0.25 ± ---	APPROVED BY DATE	DOCUMENT NO.			SHEET NO.
	0 PLACE ± --- ± ---	APATEL 2013/12/12	SD-171097-0001			1 OF 2
	ANGULAR ± 1/2°	MATERIAL NO.	SEE CHART			
	DRAFT WHERE APPLICABLE MUST REMAIN WITHIN DIMENSIONS	SIZE	THIS DRAWING CONTAINS INFORMATION THAT IS PROPRIETARY TO MOLEX INCORPORATED AND SHOULD NOT BE USED WITHOUT WRITTEN PERMISSION			

PART NUMBER	# OF POWERS	DIM 'A'	DIM 'B'	GUIDE OPTION	TAIL TYPE	DIM 'C'	DIM 'D'	# OF SIGNALS
171097-0001	6	67.50	68.50	BOLT HOLE	SOLDERTAIL	2.71	2.74	25
171097-0002	4	54.50	55.50					
171097-0003	2	41.50	42.50					
171097-0004	6	67.50	68.50	PEGS	COMPLIANT PIN	2.71	2.40	
171097-0005	4	54.50	55.50					
171097-0006	2	41.50	42.50					
171097-0007	6	67.50	68.50	BOLT HOLE	COMPLIANT PIN	2.71	2.40	
171097-0008	4	54.50	55.50					
171097-0009	2	41.50	42.50					
171097-0010	6	67.50	68.50	PEGS	COMPLIANT PIN	2.71	2.40	
171097-0011	4	54.50	55.50					
171097-0012	2	41.50	42.50					

PK SPEC	# OF POWERS
PK-171097-0100	6
PK-171097-0002	4
PK-171097-0001	2



RECOMMENDED PCB LAYOUT AND KEEP-OUT ZONE
(PCB LAYOUT FOR 6P CONNECTOR SHOWN AS REFERENCE)

- NOTES:
- MATERIAL:
 - HOUSINGS: LCP UL94, V-0, COLOR : BLACK
 - TERMINALS: HIGH CONDUCTIVITY COPPER ALLOY
 - PLATING: 1.27 MICROMETER (50 MICROINCH) NICKEL OVERALL WITH 2.54 MICROMETER (100 MICROINCH) SELECTIVE TIN ON TAILS AND 0.762 MICROMETER (30 MICROINCH) SELECTIVE GOLD ON CONTACT AREA
 - PACKAGING: ASSEMBLIES TO BE TRAY PACKED PER PACKAGING SPEC; SEE TABLE
 - PLATED THRU HOLE SIZE. REFER TO PS-171097-1000 FOR DETAILS
 - PRODUCT SPEC: PS-171097-1000
 - PRODUCT TO MEET RoHS REQUIREMENTS
 - FOR MATING PARTS SEE MOLEX RECEPTACLE SD-171098-0001
 - TAIL DESIGN: SEE CHART
 - SIGNAL & POWER CONTACTS ARE LUBRICATED
 - APPLICATION SPEC: AS-171097-0001

ADD PK SPEC EC NO. UJCP2017-0856 DRAWN:CGH 2016/10/18 CHKD:WCHAN 2016/11/07 APPR:KHLIM 2016/11/15	QUALITY SYMBOLS ▽=0 ▽=0 ▽=0	GENERAL TOLERANCES (UNLESS SPECIFIED)		DIMENSION STYLE MM ONLY		SCALE 4:1	DESIGN UNITS METRIC	THIRD ANGLE PROJECTION
		4 PLACES ±--- ±---	3 PLACES ±--- ±---	2 PLACES ±0.13 ±---	1 PLACE ±0.25 ±---	0 PLACE ±--- ±---	DRAWN BY BPI SZCZOR 2013/06/13	
DRAFT WHERE APPLICABLE MUST REMAIN WITHIN DIMENSIONS		ANGULAR ±1/2°		MATERIAL NO. SEE CHART		DOCUMENT NO. SD-171097-0001		SHEET NO. 2 OF 2

R/A PLUG ASSY
STANDARD LAYOUTS
ENERGETIC POWER FAMILY
molex