
11.3 Gbps Linear Transimpedance Amplifier With AGC and RSSI

FEATURES

- 8 GHz Bandwidth
- 5.5 k Ω Differential Small Signal Transimpedance
- Automatic Gain Control (AGC)
- 5% THD Typical with 100 MHz Input
- 10 pA/ $\sqrt{\text{Hz}}$ Typical Input Referred Noise
- 2 mA_{p-p} Input Current Linear Operation
- Received Signal Strength Indication (RSSI)
- CML Data Outputs With On-Chip 50 Ω Back-Termination
- On Chip Supply Filter Capacitor
- Single 3.3 V Supply

- Die Size: 945 \times 1200 μm
- Case temperature operation: -25°C to 100°C

APPLICATIONS

- 10 Gigabit Ethernet LRM Optical Receivers
- SFP+ Optical Receivers
- 8 \times and 10 \times Fibre Channel Optical Receivers
- SONET OC-192
- PIN Preamplifier-Receivers

DESCRIPTION

The ONET8511T is a high-speed, high linearity transimpedance amplifier used in optical receivers with data rates up to 11.3 Gbps. It features low input referred noise, 8 GHz bandwidth, 5.5 k Ω small signal transimpedance, automatic gain control (AGC) which provides highly linear operation and a received signal strength indicator (RSSI).

The ONET8511T is available in die form, includes an on-chip VCC bypass capacitor and is optimized for packaging in a TO can and for the use together with electronic dispersion compensation (EDC) ICs.

The ONET8511T requires a single +3.3 V supply and its power efficient design typically dissipates less than 160 mW. The device is characterized for operation from -25°C to 100°C (IC back side) temperature..



Please be aware that an important notice concerning availability, standard warranty, and use in critical applications of Texas Instruments semiconductor products and disclaimers thereto appears at the end of this data sheet.



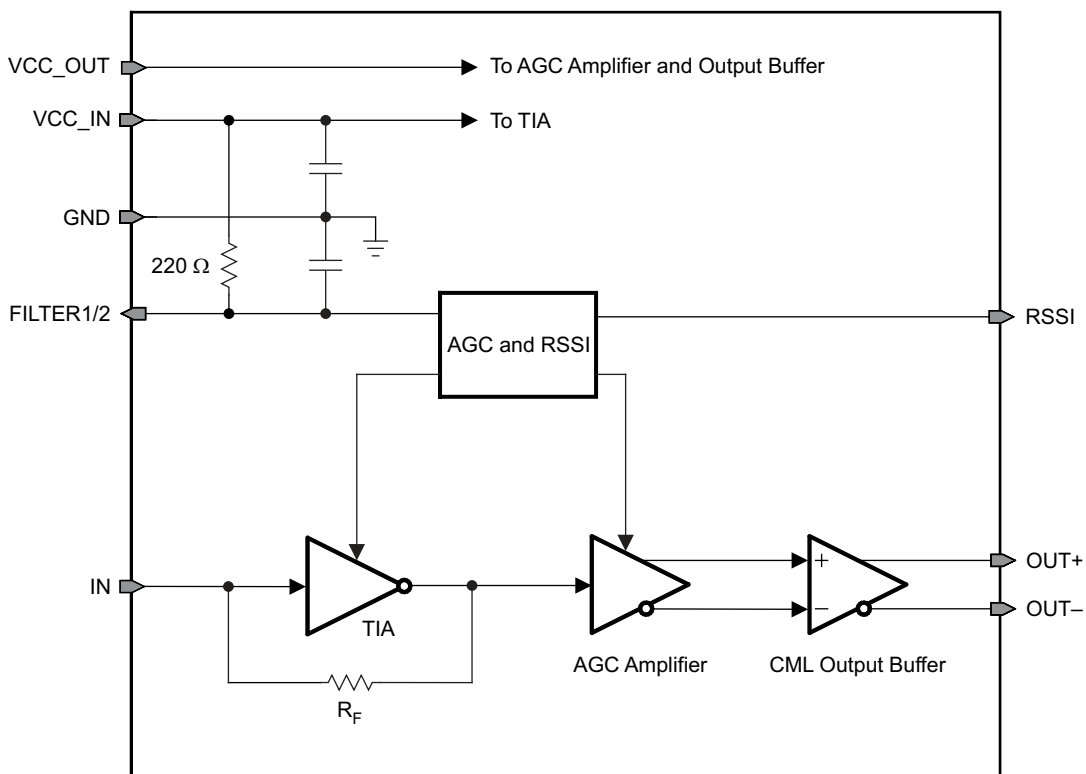
These devices have limited built-in ESD protection. The leads should be shorted together or the device placed in conductive foam during storage or handling to prevent electrostatic damage to the MOS gates.

BLOCK DIAGRAM

Figure 1 shows an ONET8511T block diagram. The ONET8511T consists of the signal path, supply filters, a control block for DC input bias, automatic gain control (AGC), and received signal strength indicator (RSSI). The RSSI provides the bias for the TIA stage and the control for the AGC.

The signal path consists of a transimpedance amplifier stage, an AGC voltage amplifier, and a CML output buffer. The on-chip filter circuit provides a filtered VCC for the photodiode and for the transimpedance amplifier.

The DC input bias circuit and automatic gain control use internal low pass filters to cancel the DC current on the input and to adjust the transimpedance amplifier gain. Additionally, the chip provides circuitry to monitor the received signal strength.



B0298-01

Figure 1. ONET8511T Block Diagram

BOND PAD ASSIGNMENT

The ONET8511T is available in die form. The locations of the bond pads are shown in Figure 2.

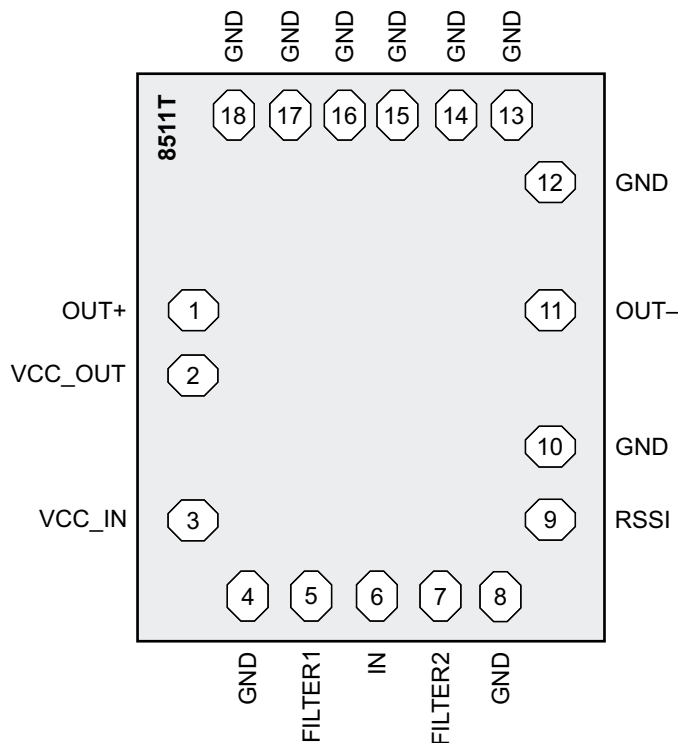


Figure 2. ONET8511T Bond Pad Assignment

TERMINAL FUNCTIONS

TERMINAL		TYPE	DESCRIPTION
NAME	NO.		
FILTER	5, 7	Analog	Bias voltage for photodiode cathode. These pads are internally connected to an 220 Ω resistor to V_{CC} and a filter capacitor to ground (GND).
GND	4, 8, 10, 12, 13, 14, 15, 16, 17, 18	Supply	Circuit ground. All GND pads are connected on die. Bonding all pads is optional; however for optimum performance a good ground connection is mandatory.
IN	6	Analog input	Data input to TIA (photodiode anode).
OUT+	1	Analog output	Non-inverted CML data output. On-chip 50 Ω back-terminated to V_{CC} .
OUT-	11	Analog output	Inverted CML data output. On-chip 50 Ω back-terminated to V_{CC} .
RSSI	9	Analog output	Analog output current proportional to the input data amplitude. Indicates the strength of the received signal (RSSI). Must be sunk through an external resistor to ground (GND). The RSSI gain can be adjusted by choosing the external resistor; however, for proper operation, ensure that the voltage at the RSSI pad does not exceed $V_{CC}-0.65V$. If the RSSI feature is not used, this pad must be bonded to ground (GND) for proper operation.
VCC_IN	3	Supply	2.95 V to 3.6 V supply voltage for input TIA stage.
VCC_OUT	2	Supply	2.95 V to 3.6 V supply voltage for the AGC amplifier.

ABSOLUTE MAXIMUM RATINGS

over operating free-air temperature range (unless otherwise noted) ⁽¹⁾

PARAMETER		VALUE	UNIT
V _{CC_IN} , V _{CC_OUT}	Supply voltage ⁽²⁾	–0.3 to 4.0	V
V _{FILTER} , V _{OUT+} , V _{OUT–} , V _{RSSI}	Voltage at FILTER1, FILTER2, OUT+, OUT–, RSSI ⁽²⁾	–0.3 to 4.0	V
I _{IN}	Current into IN	–0.7 to 3.5	mA
I _{FILTER}	Current into FILTER1, FILTER2	–8 to 8	mA
I _{OUT+} , I _{OUT–}	Continuous current at outputs	–8 to 8	mA
ESD	ESD rating at all pins except input IN ⁽³⁾	2	kV (HBM) ⁽⁴⁾
	ESD rating at IN	0.5	
T _{J,max}	Maximum junction temperature	125	°C
T _{STG}	Storage temperature range	–65 to 150	°C

- (1) Stresses beyond those listed under *absolute maximum ratings* may cause permanent damage to the device. These are stress ratings only and functional operation of the device at these or any other conditions beyond those indicated under *recommended operating conditions* is not implied. Exposure to absolute-maximum-rated conditions for extended periods may affect device reliability.
- (2) All voltage values are with respect to network ground terminal.
- (3) For optimum high-frequency performance, the input pin has reduced ESD protection.
- (4) Human Body Model

RECOMMENDED OPERATING CONDITIONS

		MIN	TYP	MAX	UNIT
V _{CC}	Supply voltage	2.95	3.3	3.6	V
T _A	Operating backside die temperature	–25		100 ⁽¹⁾	°C
L _{FILTER} , L _{IN}	Wire-bond inductor at pins FILTER and IN		0.4	0.6	nH
C _{PD}	Photodiode Capacitance		0.2		pF

- (1) 105°C junction temperature

DC ELECTRICAL CHARACTERISTICS

over recommended operating conditions (unless otherwise noted). Typical values are at V_{CC} = 3.3 V and T_A = 25°C.

PARAMETER	TEST CONDITIONS	MIN	TYP	MAX	UNIT
V _{CC}	Supply voltage	2.95	3.3	3.6	V
I _{VCC}	Supply current		46	70 ⁽¹⁾	mA
V _{IN}	Input bias voltage		0.85	1.05	V
R _{OUT}	Output resistance	45	50	65	Ω
R _{FILTER}	Photodiode filter resistance		220		Ω

- (1) Includes RSSI current

AC ELECTRICAL CHARACTERISTICS

over recommended operating conditions (unless otherwise noted). Typical values are at $V_{CC} = 3.3\text{ V}$ and $T_A = 25^\circ\text{C}$.

PARAMETER		TEST CONDITIONS	MIN	TYP	MAX	UNIT
Z_{21}	Small signal transimpedance	Differential output; Input current $I_{IN} = 20\ \mu\text{A}_{p-p}$	3.5	5.5	8	$\text{k}\Omega$
$f_{HSS,3dB}$	Small signal bandwidth	$I_{IN} = 100\ \mu\text{A}_{p-p}$ with AGC on ⁽¹⁾		8		GHz
$f_{L,3dB}$	Low frequency –3 dB bandwidth	$I_{IN} = 100\ \mu\text{A}_{p-p}$		30	50	kHz
THD	Linear operation	100 MHz signal, 3.5 dB extinction ratio, $I_{IN} \leq 1400\ \mu\text{A}_{p-p}$		5	10	%
τ_{AGC}	AGC settling time	$I_{IN} = 500\ \mu\text{A}_{p-p}$, 3.5dB extinction ratio	7	14		μs
$I_{N,IN}$	Input referred RMS noise	unfiltered ⁽²⁾		1.0	2.2	μA
	Input referred noise density	10 GHz bandwidth		10		$\text{pA}/\sqrt{\text{Hz}}$
DJ	Deterministic jitter	$I_{IN} < 1400\ \mu\text{A}_{p-p}$ (K28.5 pattern)		8	18	ps_{p-p}
PSNR	Power supply noise rejection ⁽³⁾	$1 < f < 10\ \text{MHz}$		25		dB
A_{RSSI}	RSSI gain	Resistive load to GND ⁽⁴⁾	0.95	1	1.05	A/A
	RSSI output offset current (no light)			22	32	μA
$f_{H,3dB, RSSI}$	RSSI bandwidth			2		MHz
$V_{OUTD,MAX}$	Maximum differential output voltage	Input current $I_{IN} = 100\ \mu\text{A}_{p-p}$, 3.5 dB extinction ratio	200	250		mV_{p-p}
		Input current $I_{IN} = 1400\ \mu\text{A}_{p-p}$, 3.5 dB extinction ratio	200	270		

- (1) The small signal bandwidth is specified over process corners, temperature, and supply voltage variation. The assumed photodiode capacitance is 0.2 pF and the bond-wire inductance is 0.4 nH. The small signal bandwidth strongly depends on environmental parasitics. Careful attention to layout parasitics and external components is necessary to achieve optimal performance.
- (2) Input referred RMS noise = (RMS output noise) ÷ (gain at 100 MHz). The input referred noise is specified over process corners, temperature, and supply voltage variation.
- (3) PSNR is the differential output amplitude divided by the voltage ripple on supply; no input current at IN.
- (4) The RSSI output is a current output, which requires a resistive load to ground (GND). The voltage gain can be adjusted for the intended application by choosing the external resistor; however, for proper operation, ensure that the voltage at RSSI does not exceed $V_{CC} - 0.65\text{ V}$.

DETAILED DESCRIPTION

SIGNAL PATH

The first stage of the signal path is a transimpedance amplifier which converts the photodiode current into a voltage signal with a linear relationship. If the input signal current exceeds a certain value, the transimpedance gain is reduced by means of an AGC circuit to keep the transmit behavior linear.

The second stage is an AGC voltage amplifier that provides additional linear gain and converts the single ended input voltage into a differential data signal.

The third stage is the output buffer which provides CML outputs with an on-chip 50 Ω back-termination to V_{CC} .

FILTER CIRCUITRY

The FILTER pins provide a filtered VCC for the photodiode bias. The on-chip low pass filter for the photodiode is implemented using a filter resistor of 220 Ω and a capacitor. The corresponding corner frequency is below 5 MHz. The supply voltages for the transimpedance amplifier are filtered by means of on-chip capacitors, thus avoiding the need for an external supply filter capacitor. The input stage has a separate VCC supply (V_{CC_IN}) that is not connected on the chip to the supply of the AGC/CML stages (V_{CC_OUT}).

AGC AND RSSI

The voltage drop across the internal photodiode supply-filter resistor is monitored by the bias and RSSI control circuit block.

If the DC input current exceeds a specified level then it is partially cancelled by means of a controlled current source. This keeps the transimpedance amplifier stage within sufficient operating limits for optimum performance. The automatic gain control circuitry adjusts the voltage gain of the AGC amplifier to ensure linear behavior of the complete amplifier.

Finally, this circuit block senses the current through the filter resistor and generates a mirrored current that is proportional to the input signal strength. The mirrored current is available at the RSSI output and *must* be sunk to ground (GND) using an external resistor. For proper operation, ensure that the voltage at the RSSI pad does not exceed $V_{CC}-0.65$ V.

TYPICAL CHARACTERISTICS

Typical operating condition is at $V_{CC} = +3.3V$ and $T_A = +25^\circ C$ (unless otherwise noted).

**TRANSIMPEDANCE
vs
INPUT CURRENT**

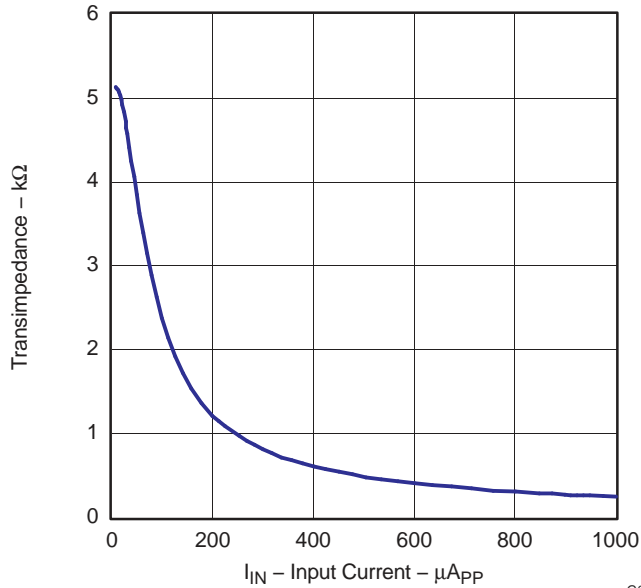


Figure 3.

G001

**SMALL SIGNAL TRANSIMPEDANCE
vs
AMBIENT TEMPERATURE**

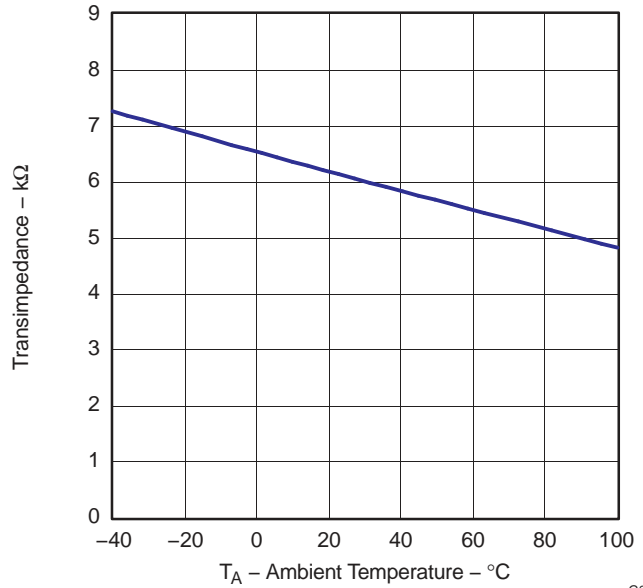


Figure 4.

G002

**SMALL SIGNAL TRANSFER
CHARACTERISTICS**

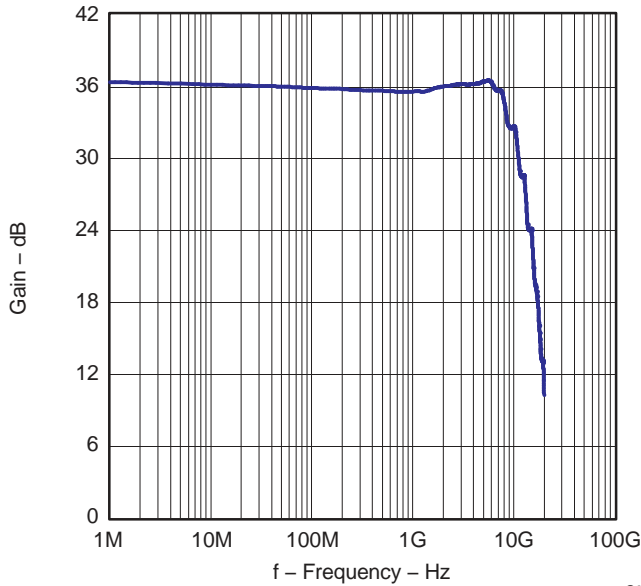


Figure 5.

G003

**OUTPUT VOLTAGE
vs
INPUT CURRENT (644 MHz Signal, 3.5 dB ER)**

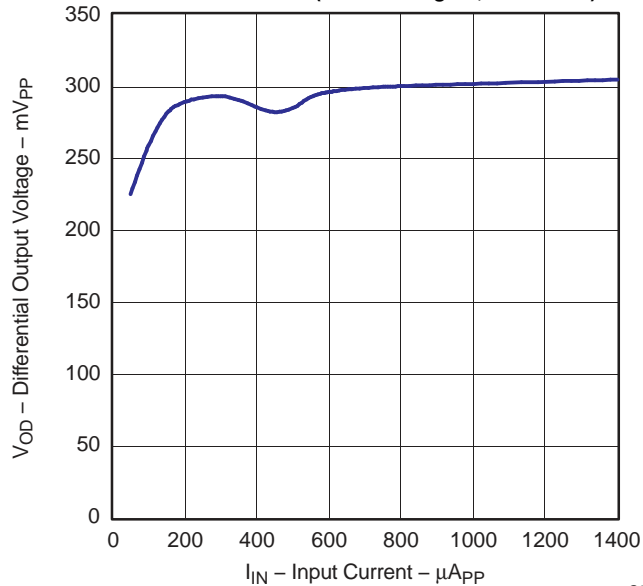


Figure 6.

G004

TYPICAL CHARACTERISTICS (continued)

Typical operating condition is at $V_{CC} = +3.3V$ and $T_A = +25^\circ C$ (unless otherwise noted).

**DETERMINISTIC JITTER
vs
INPUT CURRENT**

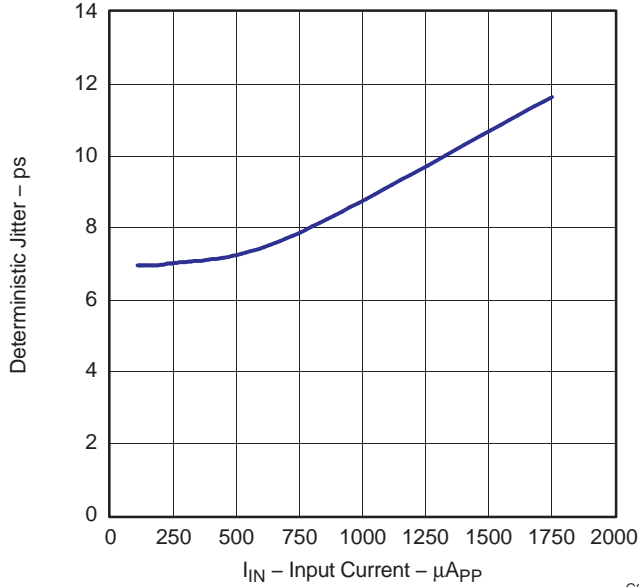


Figure 7.

G005

**TOTAL HARMONIC DISTORTION
vs
INPUT CURRENT (100 MHz Signal, 3.5 dB ER)**

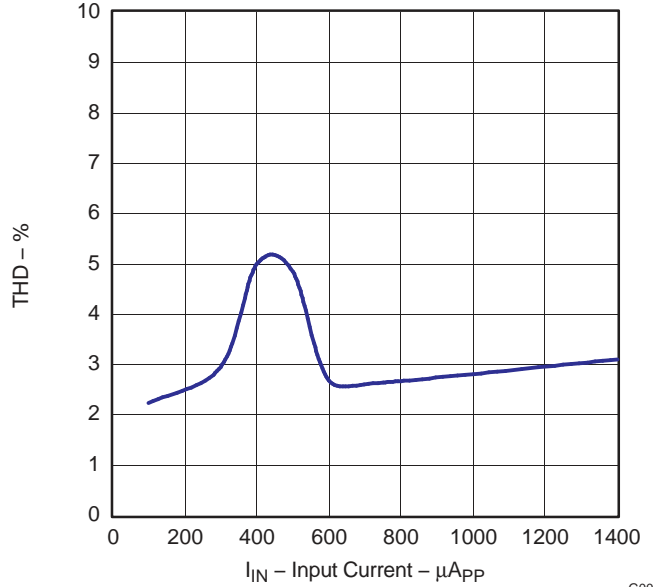


Figure 8.

G006

**RSSI OUTPUT CURRENT
vs
AVERAGE INPUT CURRENT**

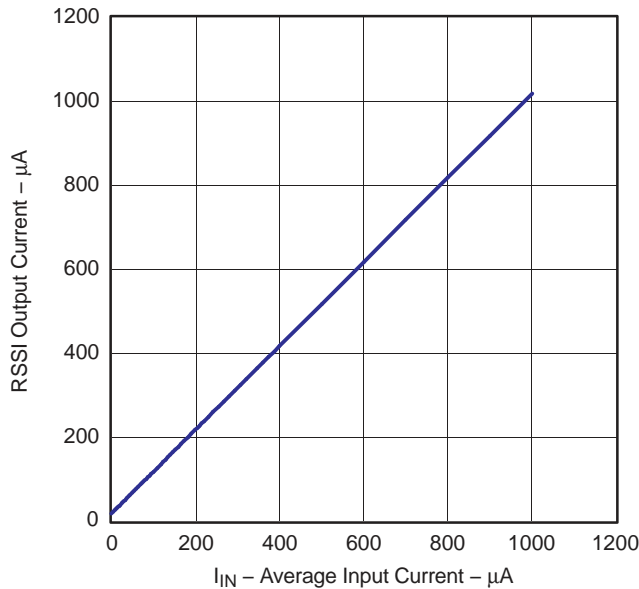


Figure 9.

G007

**POWER SUPPLY NOISE REJECTION
vs
FREQUENCY**

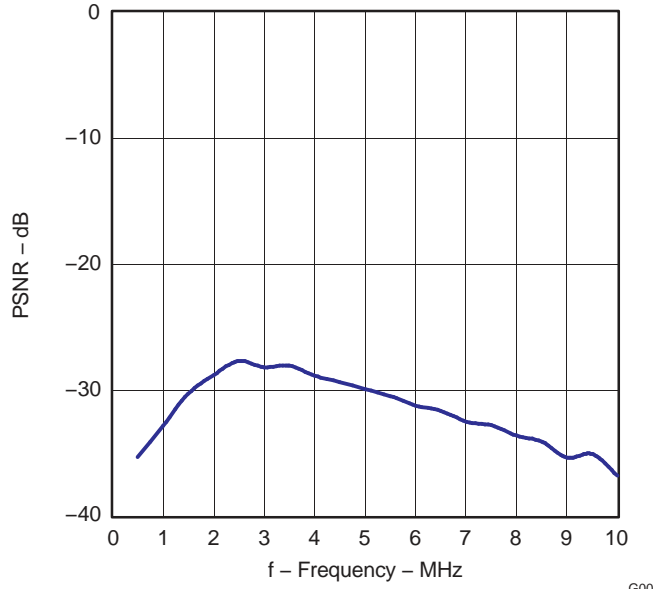


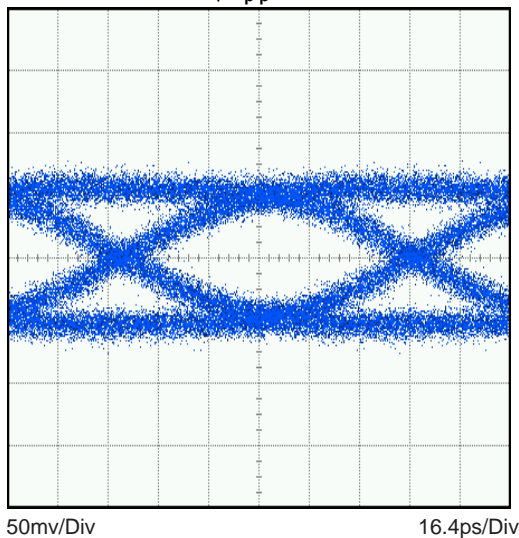
Figure 10.

G008

TYPICAL CHARACTERISTICS (continued)

Typical operating condition is at $V_{CC} = +3.3V$ and $T_A = +25^\circ C$ (unless otherwise noted).

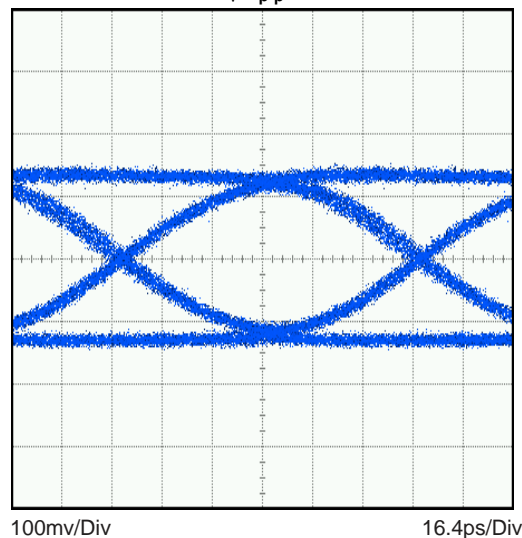
**OUTPUT EYE-DIAGRAM AT 10.3 GBPS
AND $20 \mu A_{p-p}$ INPUT CURRENT**



G009

Figure 11.

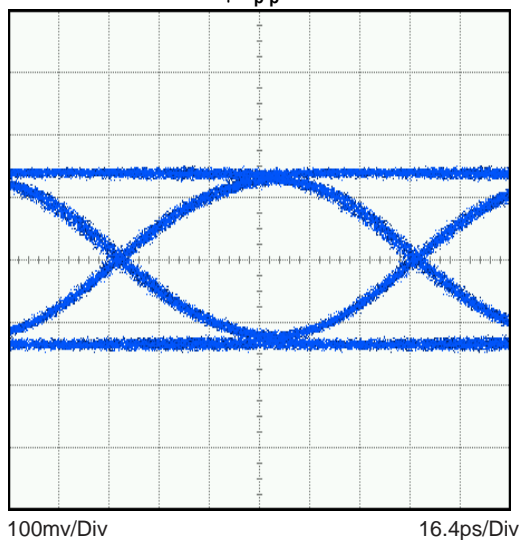
**OUTPUT EYE-DIAGRAM AT 10.3 GBPS
AND $100 \mu A_{p-p}$ INPUT CURRENT**



G010

Figure 12.

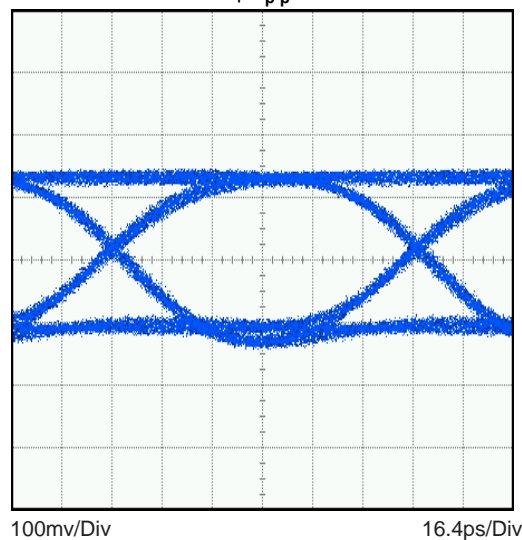
**OUTPUT EYE-DIAGRAM AT 10.3 GBPS
AND $500 \mu A_{p-p}$ INPUT CURRENT**



G011

Figure 13.

**OUTPUT EYE-DIAGRAM AT 10.3 GBPS
AND $2000 \mu A_{p-p}$ INPUT CURRENT**



G012

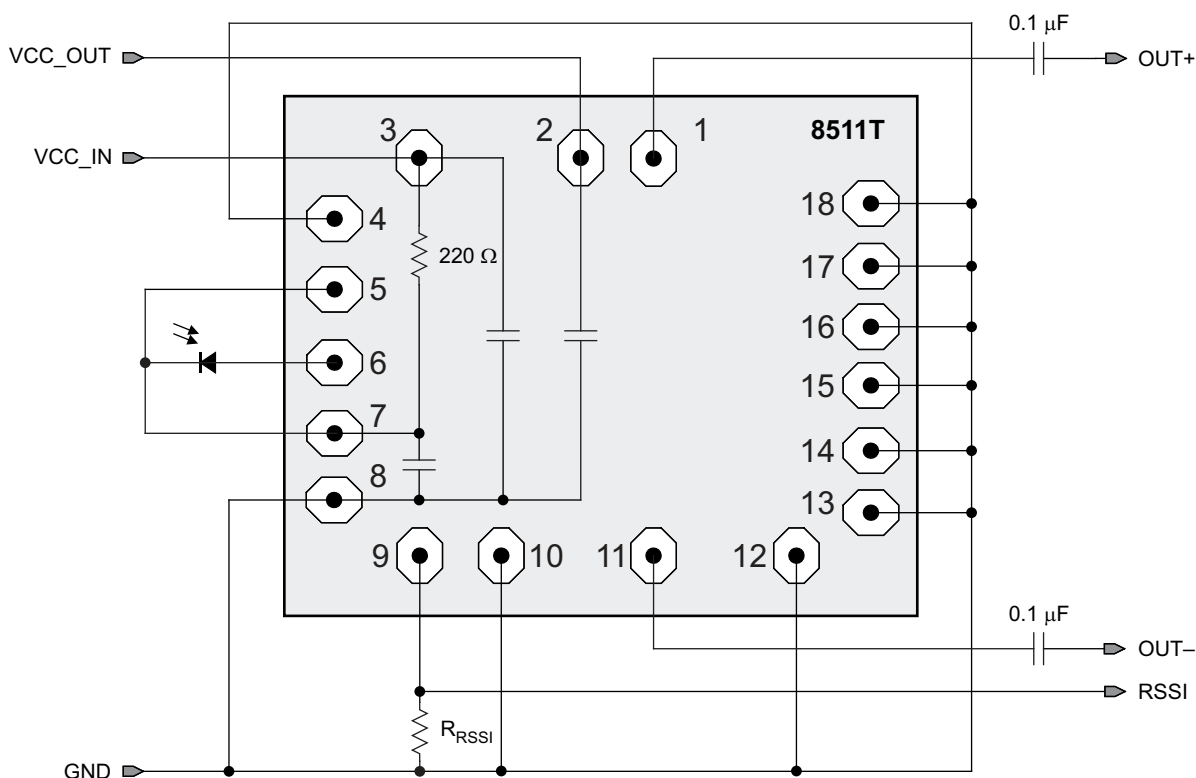
Figure 14.

APPLICATION INFORMATION

Figure 15 shows the ONET8511T being used in a typical fiber optic receiver circuit using the internal photodiode bias. The ONET8511T converts the electrical current generated by the PIN photodiode into a differential output voltage. The FILTER inputs provide a DC bias voltage for the PIN that is low pass filtered by the combination of an internal $220\ \Omega$ resistor and a capacitor. Because the voltage drop across the $220\ \Omega$ resistor is sensed and used by the bias circuit, the photodiode must be connected to the FILTER pads for the AGC to function correctly.

The RSSI output is used to mirror the photodiode output current and *must* be connected using a resistor to GND. The voltage gain can be adjusted for the intended application by choosing the external resistor; however, for proper operation of the ONET8511T, ensure that the voltage at RSSI never exceeds $V_{CC}-0.65\ \text{V}$. The RSSI output must be grounded if it is unused.

The OUT+ and OUT– pins are internally terminated by $50\ \Omega$ pull-up resistors to VCC. The outputs must be AC coupled, for example by using $0.1\ \mu\text{F}$ capacitors, to the succeeding device.



S0332-01

Figure 15. Basic Application Circuit

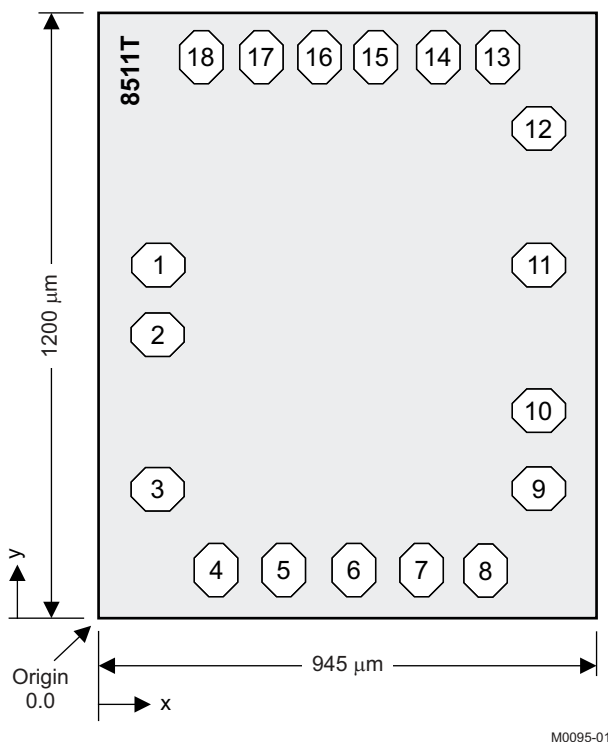
ASSEMBLY RECOMMENDATIONS

You need to concentrate on assembly parasitics and external components to achieve optimal performance.

Recommendations that optimize performance include:

1. Minimize the total capacitance on the IN pad by using a low capacitance photodiode and compensating for stray capacitances. Place the photodiode close to the ONET8511T die in order to minimize the bond wire length and associated parasitic inductance.
2. Use identical termination and symmetrical transmission lines at the AC coupled differential output pins OUT+ and OUT–.
3. Use short bond wire connections for the supply terminals VCC_IN, VCC_OUT and GND. Supply voltage filtering is provided on chip but filtering may be improved by using an additional external capacitor.

CHIP DIMENSIONS AND PAD LOCATIONS



Die Thickness: 203 μm

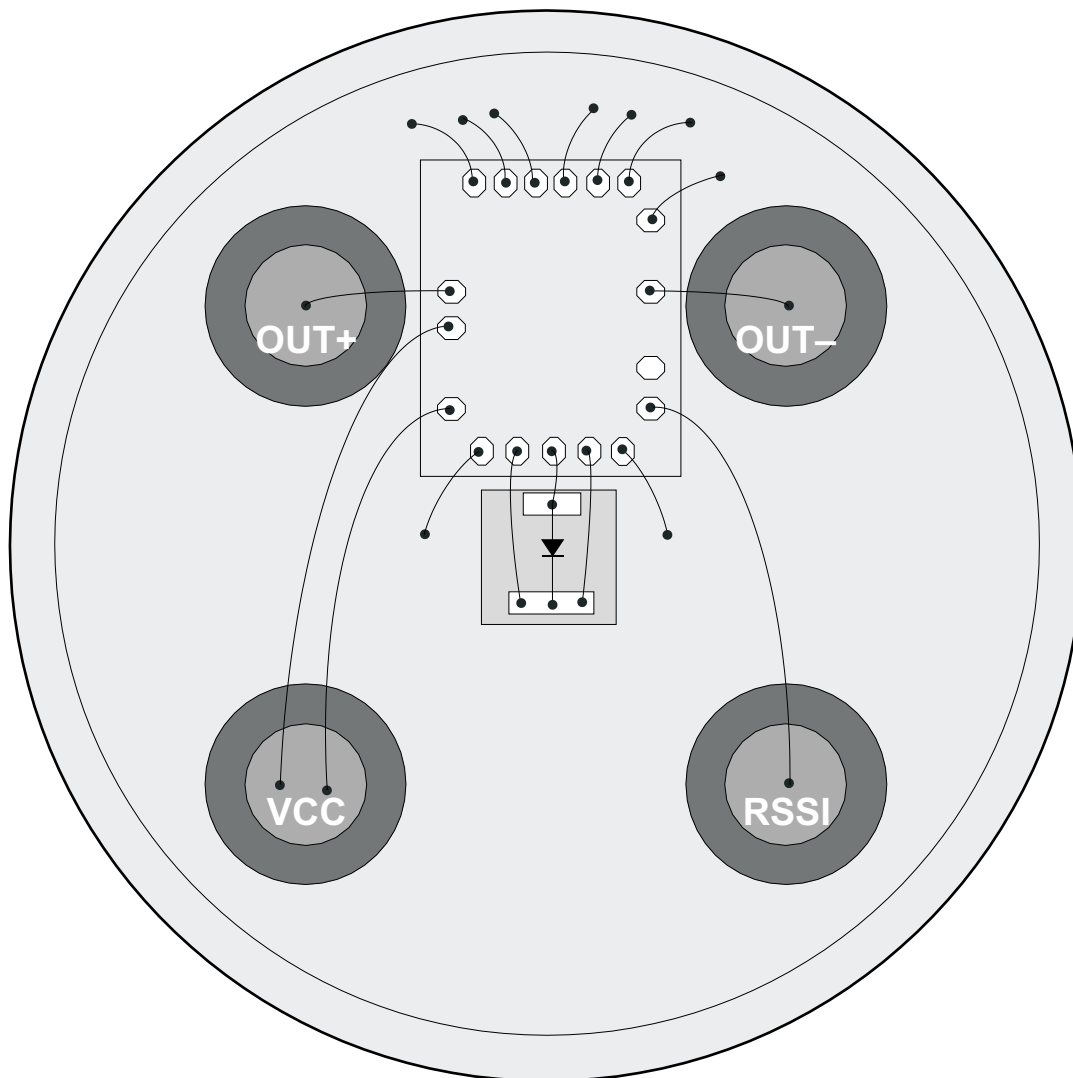
Pad Dimensions: 105 × 65 μm

Bond Pad Locations and Descriptions

PAD	COORDINATES		SYMBOL	TYPE	DESCRIPTION
	x (μm)	y (μm)			
1	116	718	OUT+	Analog output	Non-inverted data output
2	116	575	VCC_OUT	Supply	3.3 V supply voltage
3	116	289	VCC_IN	Supply	3.3 V supply voltage
4	243	136	GND	Supply	Circuit ground
5	358	136	FILTER1	Analog	Bias voltage for photodiode
6	473	136	IN	Analog input	Data input to TIA
7	588	136	FILTER2	Analog	Bias voltage for photodiode
8	703	136	GND	Supply	Circuit ground
9	828	289	RSSI	Analog output	RSSI output signal
10	828	474	GND	Supply	RSSI output signal for externally biased receivers
11	828	718	OUT-	Analog output	Inverted data output
12	828	910	GND	Supply	Circuit ground
13	760	1063	GND	Supply	Circuit ground
14	645	1063	GND	Supply	Circuit ground
15	530	1063	GND	Supply	Circuit ground
16	415	1063	GND	Supply	Circuit ground
17	300	1063	GND	Supply	Circuit ground
18	185	1063	GND	Supply	Circuit ground

TO46 LAYOUT EXAMPLE

An example for a layout (top view) in a 5-pin TO46 can is shown in [Figure 16](#).



M0096-01

Figure 16. TO46 5-Pin Layout Using the ONET8511T

PACKAGING INFORMATION

Orderable Device	Status ⁽¹⁾	Package Type	Package Drawing	Pins	Package Qty	Eco Plan ⁽²⁾	Lead/Ball Finish	MSL Peak Temp ⁽³⁾
ONET8511TY	ACTIVE	DIESALE	Y	0	360	Green (RoHS & no Sb/Br)	Call TI	N / A for Pkg Type

⁽¹⁾ The marketing status values are defined as follows:

ACTIVE: Product device recommended for new designs.

LIFEBUY: TI has announced that the device will be discontinued, and a lifetime-buy period is in effect.

NRND: Not recommended for new designs. Device is in production to support existing customers, but TI does not recommend using this part in a new design.

PREVIEW: Device has been announced but is not in production. Samples may or may not be available.

OBSOLETE: TI has discontinued the production of the device.

⁽²⁾ Eco Plan - The planned eco-friendly classification: Pb-Free (RoHS), Pb-Free (RoHS Exempt), or Green (RoHS & no Sb/Br) - please check <http://www.ti.com/productcontent> for the latest availability information and additional product content details.

TBD: The Pb-Free/Green conversion plan has not been defined.

Pb-Free (RoHS): TI's terms "Lead-Free" or "Pb-Free" mean semiconductor products that are compatible with the current RoHS requirements for all 6 substances, including the requirement that lead not exceed 0.1% by weight in homogeneous materials. Where designed to be soldered at high temperatures, TI Pb-Free products are suitable for use in specified lead-free processes.

Pb-Free (RoHS Exempt): This component has a RoHS exemption for either 1) lead-based flip-chip solder bumps used between the die and package, or 2) lead-based die adhesive used between the die and leadframe. The component is otherwise considered Pb-Free (RoHS compatible) as defined above.

Green (RoHS & no Sb/Br): TI defines "Green" to mean Pb-Free (RoHS compatible), and free of Bromine (Br) and Antimony (Sb) based flame retardants (Br or Sb do not exceed 0.1% by weight in homogeneous material)

⁽³⁾ MSL, Peak Temp. -- The Moisture Sensitivity Level rating according to the JEDEC industry standard classifications, and peak solder temperature.

Important Information and Disclaimer:The information provided on this page represents TI's knowledge and belief as of the date that it is provided. TI bases its knowledge and belief on information provided by third parties, and makes no representation or warranty as to the accuracy of such information. Efforts are underway to better integrate information from third parties. TI has taken and continues to take reasonable steps to provide representative and accurate information but may not have conducted destructive testing or chemical analysis on incoming materials and chemicals. TI and TI suppliers consider certain information to be proprietary, and thus CAS numbers and other limited information may not be available for release.

In no event shall TI's liability arising out of such information exceed the total purchase price of the TI part(s) at issue in this document sold by TI to Customer on an annual basis.

IMPORTANT NOTICE

Texas Instruments Incorporated and its subsidiaries (TI) reserve the right to make corrections, modifications, enhancements, improvements, and other changes to its products and services at any time and to discontinue any product or service without notice. Customers should obtain the latest relevant information before placing orders and should verify that such information is current and complete. All products are sold subject to TI's terms and conditions of sale supplied at the time of order acknowledgment.

TI warrants performance of its hardware products to the specifications applicable at the time of sale in accordance with TI's standard warranty. Testing and other quality control techniques are used to the extent TI deems necessary to support this warranty. Except where mandated by government requirements, testing of all parameters of each product is not necessarily performed.

TI assumes no liability for applications assistance or customer product design. Customers are responsible for their products and applications using TI components. To minimize the risks associated with customer products and applications, customers should provide adequate design and operating safeguards.

TI does not warrant or represent that any license, either express or implied, is granted under any TI patent right, copyright, mask work right, or other TI intellectual property right relating to any combination, machine, or process in which TI products or services are used. Information published by TI regarding third-party products or services does not constitute a license from TI to use such products or services or a warranty or endorsement thereof. Use of such information may require a license from a third party under the patents or other intellectual property of the third party, or a license from TI under the patents or other intellectual property of TI.

Reproduction of TI information in TI data books or data sheets is permissible only if reproduction is without alteration and is accompanied by all associated warranties, conditions, limitations, and notices. Reproduction of this information with alteration is an unfair and deceptive business practice. TI is not responsible or liable for such altered documentation. Information of third parties may be subject to additional restrictions.

Resale of TI products or services with statements different from or beyond the parameters stated by TI for that product or service voids all express and any implied warranties for the associated TI product or service and is an unfair and deceptive business practice. TI is not responsible or liable for any such statements.

TI products are not authorized for use in safety-critical applications (such as life support) where a failure of the TI product would reasonably be expected to cause severe personal injury or death, unless officers of the parties have executed an agreement specifically governing such use. Buyers represent that they have all necessary expertise in the safety and regulatory ramifications of their applications, and acknowledge and agree that they are solely responsible for all legal, regulatory and safety-related requirements concerning their products and any use of TI products in such safety-critical applications, notwithstanding any applications-related information or support that may be provided by TI. Further, Buyers must fully indemnify TI and its representatives against any damages arising out of the use of TI products in such safety-critical applications.

TI products are neither designed nor intended for use in military/aerospace applications or environments unless the TI products are specifically designated by TI as military-grade or "enhanced plastic." Only products designated by TI as military-grade meet military specifications. Buyers acknowledge and agree that any such use of TI products which TI has not designated as military-grade is solely at the Buyer's risk, and that they are solely responsible for compliance with all legal and regulatory requirements in connection with such use.

TI products are neither designed nor intended for use in automotive applications or environments unless the specific TI products are designated by TI as compliant with ISO/TS 16949 requirements. Buyers acknowledge and agree that, if they use any non-designated products in automotive applications, TI will not be responsible for any failure to meet such requirements.

Following are URLs where you can obtain information on other Texas Instruments products and application solutions:

Products

Amplifiers	amplifier.ti.com
Data Converters	dataconverter.ti.com
DSP	dsp.ti.com
Clocks and Timers	www.ti.com/clocks
Interface	interface.ti.com
Logic	logic.ti.com
Power Mgmt	power.ti.com
Microcontrollers	microcontroller.ti.com
RFID	www.ti-rfid.com
RF/IF and ZigBee® Solutions	www.ti.com/lprf

Applications

Audio	www.ti.com/audio
Automotive	www.ti.com/automotive
Broadband	www.ti.com/broadband
Digital Control	www.ti.com/digitalcontrol
Medical	www.ti.com/medical
Military	www.ti.com/military
Optical Networking	www.ti.com/opticalnetwork
Security	www.ti.com/security
Telephony	www.ti.com/telephony
Video & Imaging	www.ti.com/video
Wireless	www.ti.com/wireless

Mailing Address: Texas Instruments, Post Office Box 655303, Dallas, Texas 75265
Copyright © 2008, Texas Instruments Incorporated