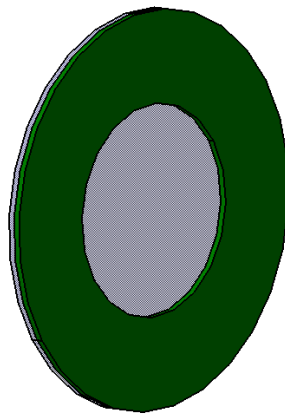


Waterproof Mesh with adhesive

MESH3DA

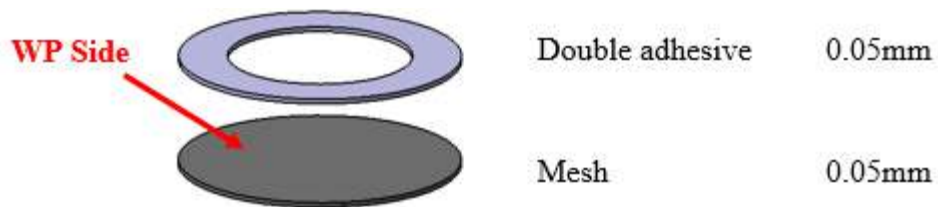
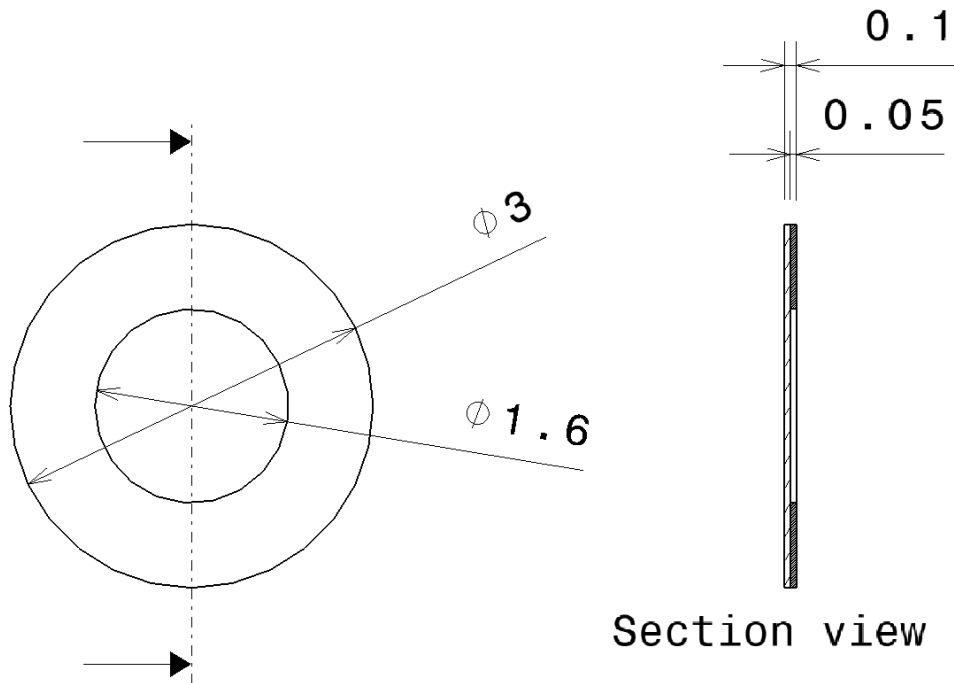


Revision

Date	Version	Status	Changes	Approver
2019/07/01	V0.1	Draft	First release	LF

1. Mechanical Characteristics

1.1. Mechanical Drawing



1.2. Material List

Adhesive film	TESA4972
Mesh	PES12/7 (HY)

1.3. Waterproof characteristics

IP Rating: IP54