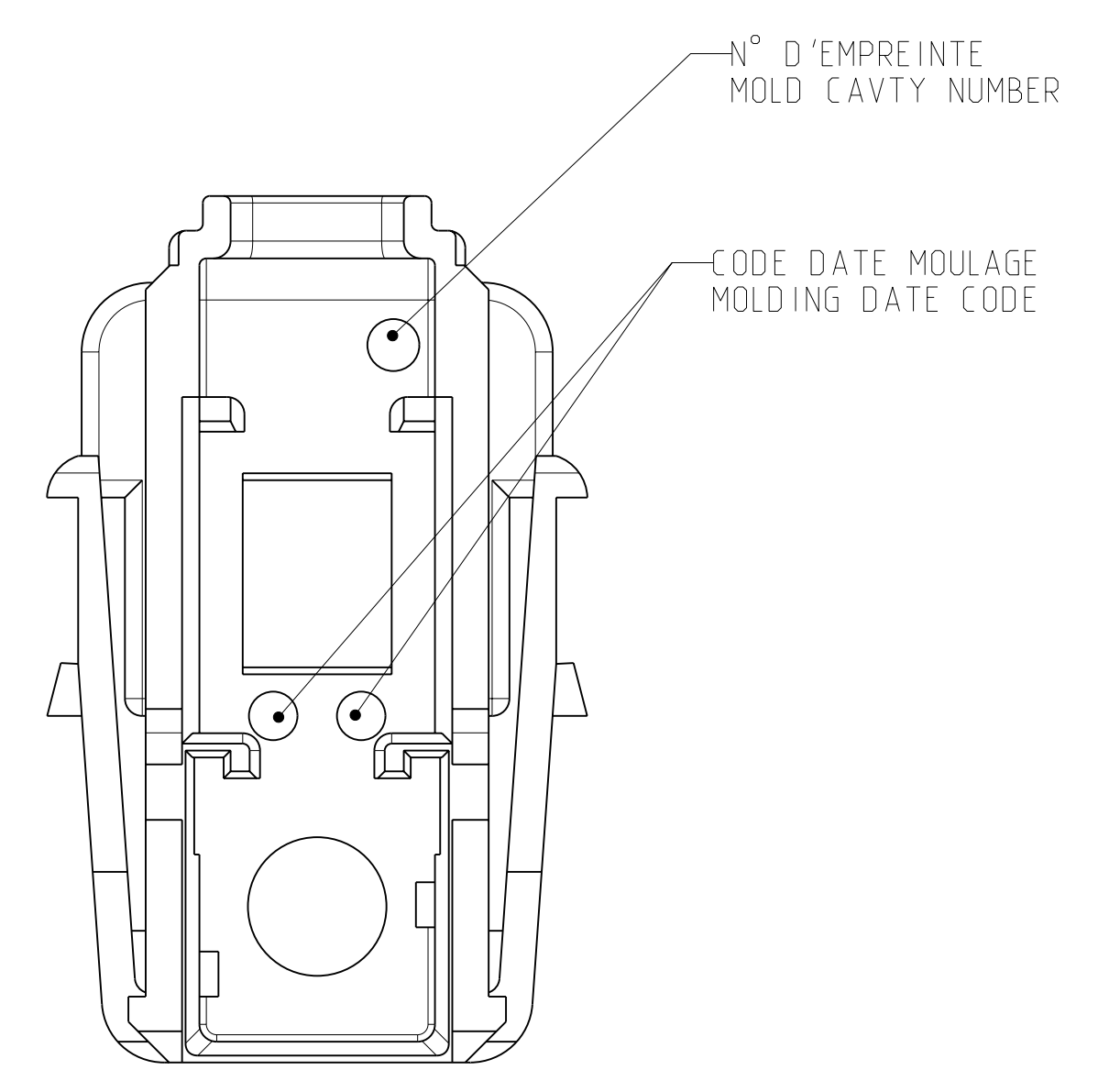
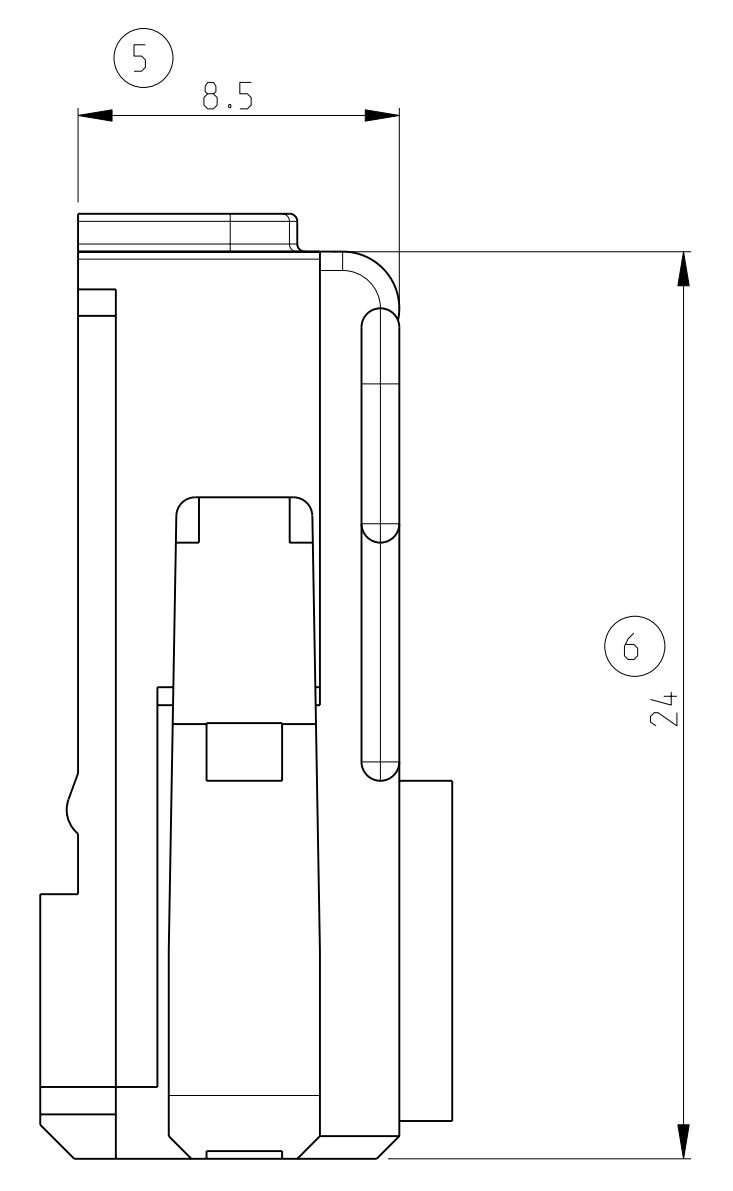
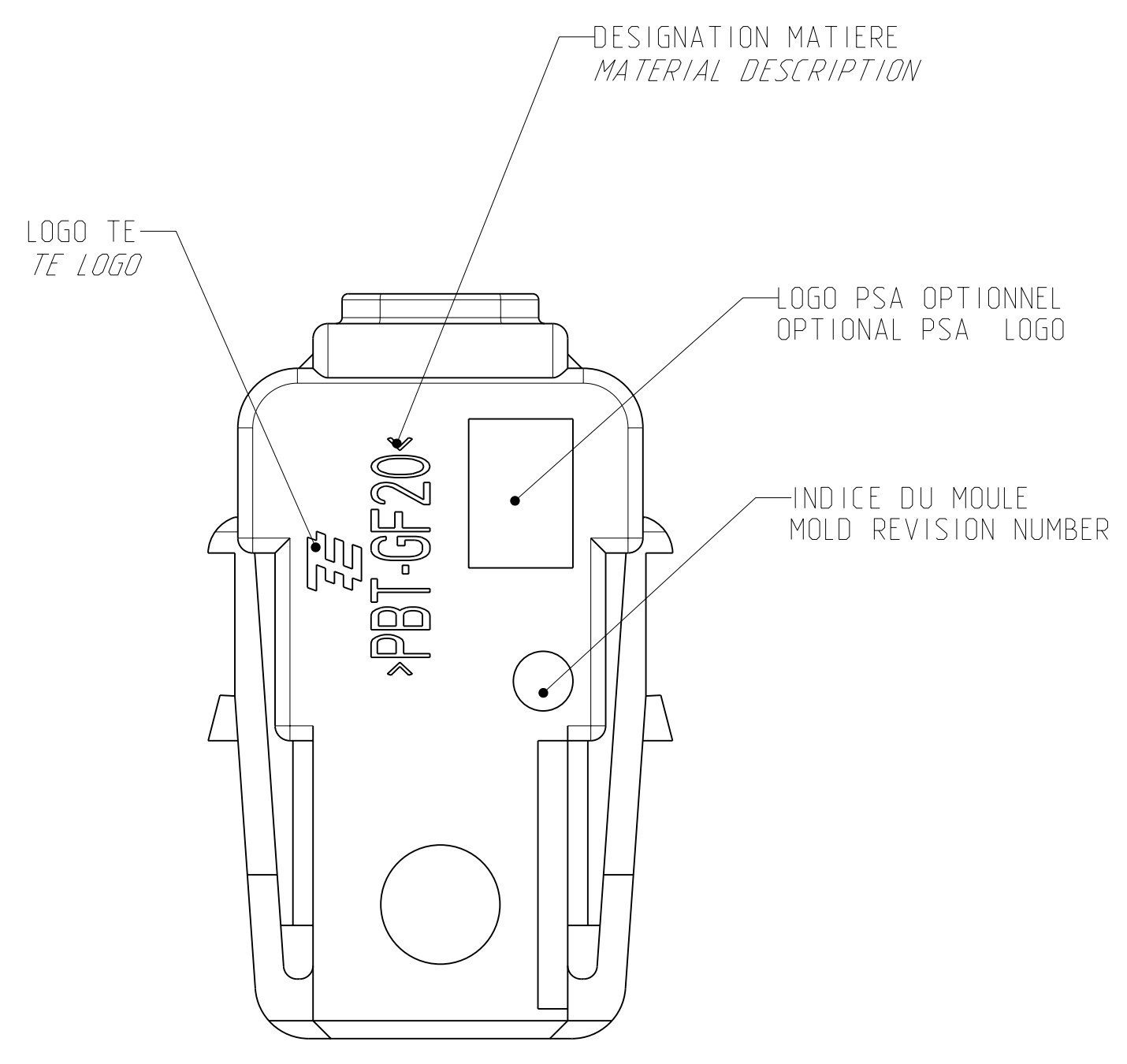
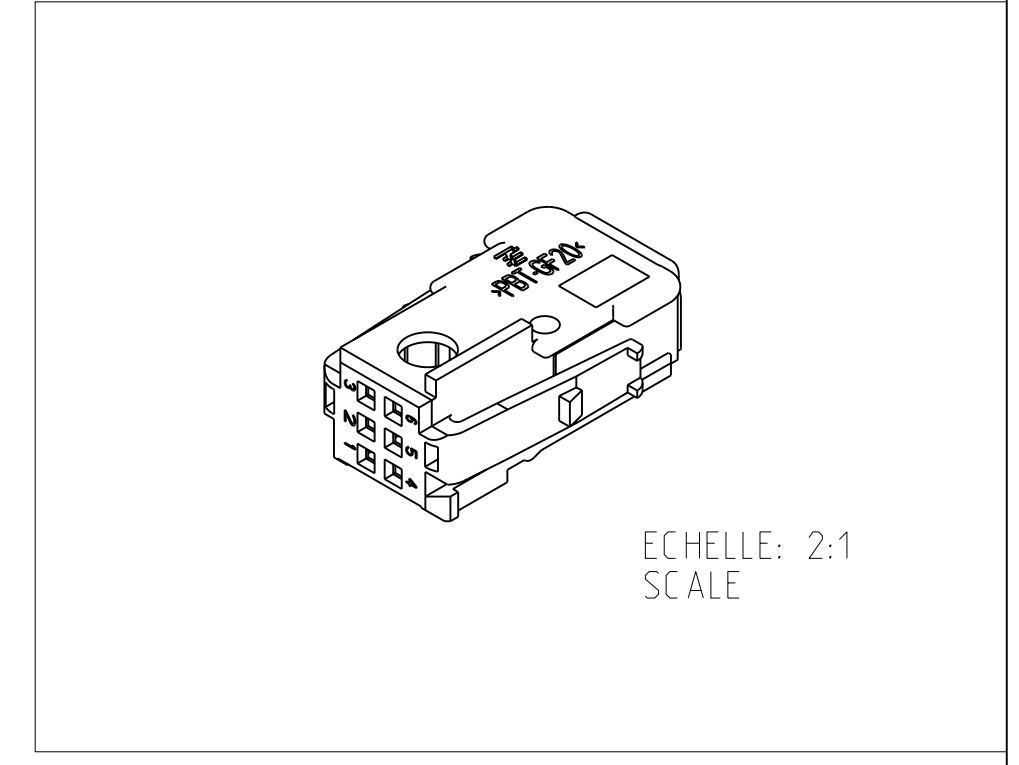
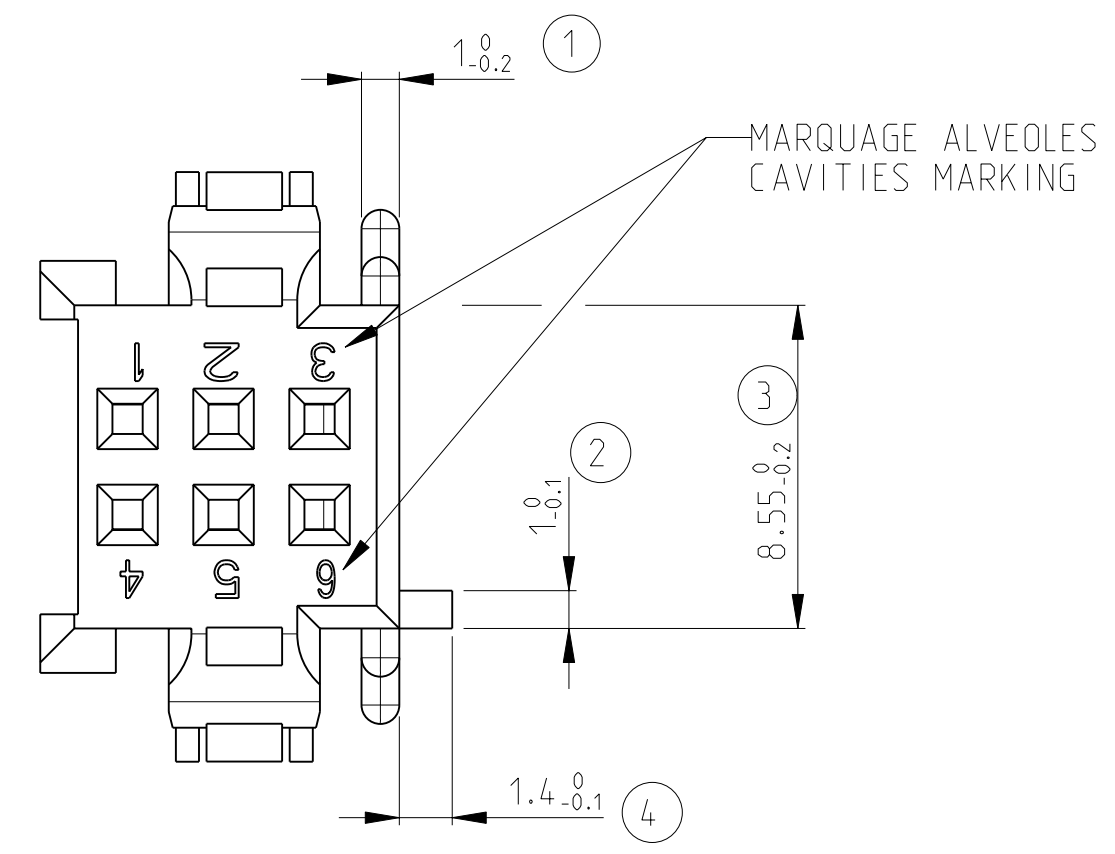
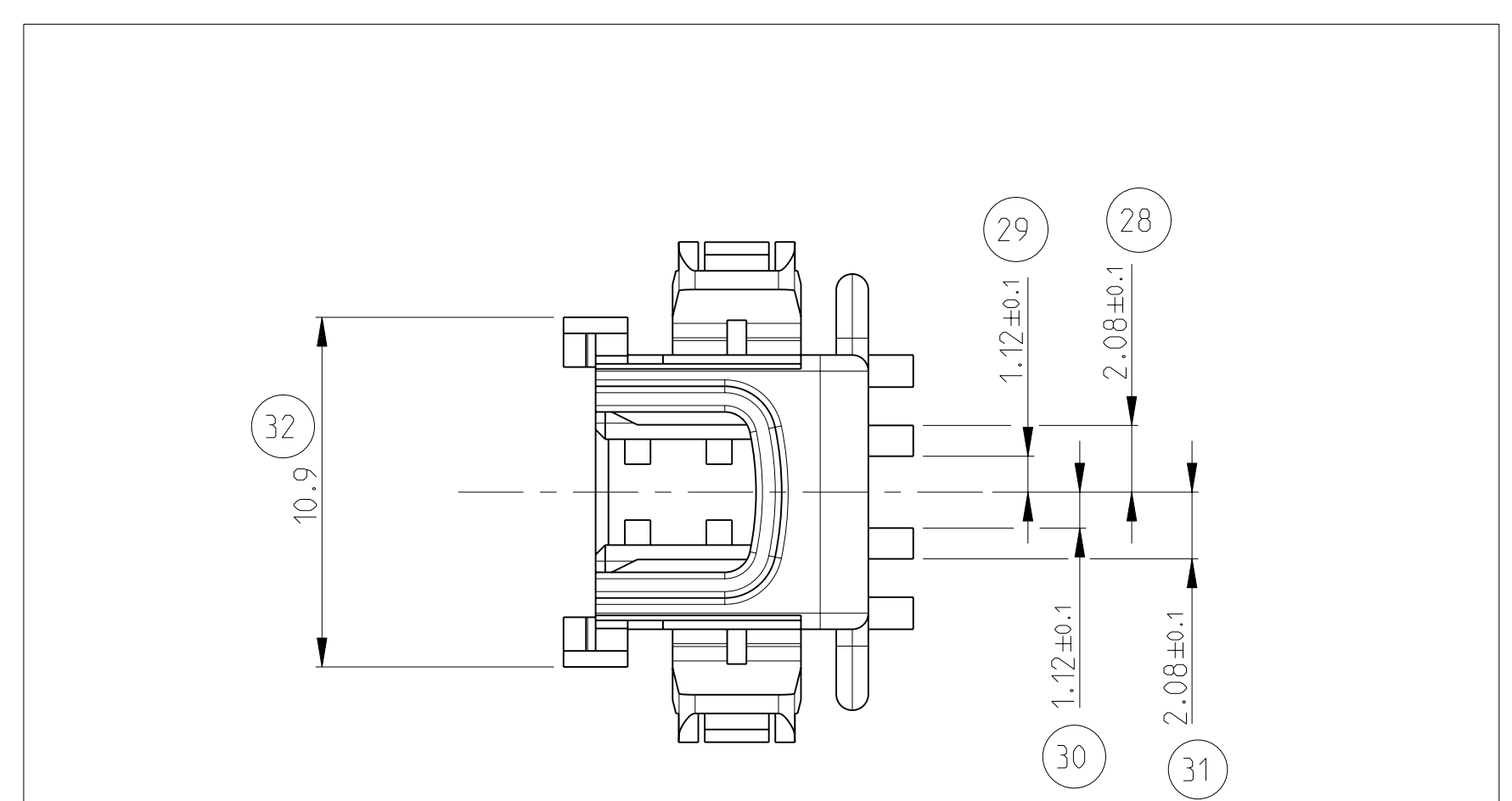


LOC	DIST	REVISIONS					
F	00	P	LTR	DESCRIPTION	DATE	DWN	APP
		A		FIRST ISSUE	12DEC2005	RP	JPP
		B		UPDATE DRAWING	10JUL2009	NS	XR



MATIERE MATERIAL	COULEUR COLOR	REF TE TE PN	DETROMPAGE KEYING
PBT 20% FV PBT GF20	MARRON BROWN	953382-4	
PBT 20% FV PBT GF20	VERT GREEN	953382-3	
PBT 20% FV PBT GF20	BLANC WHITE	953382-2	
PBT 20% FV PBT GF20	NOIR BLACK	953382-1	



COMPOSANTS ASSOCIES MATING PARTS	
REF. TE TE PART NUMBER	DESIGNATION
185311-1	MODULE 6 VOIES MQS SOCKET HOUSING 6 POS MQS
953381-1	VERROU POUR BOITIER MQS LOCKING DEVICE FOR MQS

NOTE

1 - CABLAGE MAXI : 6 FILS DE SECTION 0.6 mm² (DIA MAXI ISOLANT DE 1.9 mm) POUR ETRE EN CONFORMITE AVEC LA SPEC. 108-15192

- MAXIMAL CABLING : 6 WIRES SECTION 0.6mm² (DIA MAXIMAL INSULATOR 1.9mm) TO BE IN ACCORDANCE WITH THE SPEC. 108-15192

DEFINITION DES DETROMPAGES DEFINITION OF KEYINGS

953382-1 REPRESENTEE AS SHOWN

<small>THIS DRAWING IS UNPUBLISHED. DIVISION SYSTEME AMP BY TYCO ELECTRONICS CORPORATION. ALL RIGHTS RESERVED. THIS DRAFTS RESERVE.</small>		DWN/DESIGNE R.P. PATIN 12DEC2005 CHAQUE/PROJE JP.PICAUD 12DEC2005		Tyco Electronics France SAS 95300 Pontoise, France	
DIMENSIONS: mm		TOLERANCES UNLESS OTHERWISE SPECIFIED:		NAME TITLE: COVER FOR 6W HSG MQS GENE 2 PORTE-MODULE 6VOIES MQS	
APVD/APPROUVE L.D. AHERD 12DEC2005		PRODUCT SPEC: 108-15192		SIZE FORMAT: A	
MATERIAL/MATIERE: -		FINISH/FINITION: -		WEIGHT/MASSE APPROX.: 1.2g	
CUSTOMER DRAWING /PLAN CLIENT		UNDEMENT FOUR REFERENCE		SCALE ECHELLE: 5:1	
				SHEET FEUILLE 1 OF 1	
				REV B	